

**EUROTROL®**

WATER TREATMENT COMPONENTS

# **FILTER HOUSINGS, CARTRIDGES AND POLYPHOSPHATE FEEDERS**

**MWG**



[Back to index](#)

---



## PP String Wound Filtering Cartridges

- string wound filtering cartridges with core;
- string and core in polypropylene;
- double/triple retention capacity than a compact structure cartridge;
- dimensions external diameter 60 mm, internal diameter 28 mm;
- nominal length: 10" or 20";
- Suggested filtering flow rate for 10" length: 18 ÷ 24 lpm;
- Max filtering flow rate for 20" length: 30 lpm;
- Max ΔP recommended 1 bar;
- Max operating temperature = 60°C.



Ref	Description	Fam.	Subfam.	Disp. Stock	
FC100	MWG STRING WOUND CARTRIDGE DLSW-10-01 ( 9-7/8" )	40	100	OK	
FC101	MWG STRING WOUND CARTRIDGE DLSW-10-05 (9-7/8")	40	100	OK	
FC102	MWG STRING WOUND CARTRIDGE DLSW-10-10 (9-7/8")	40	100	OK	
FC103	MWG STRING WOUND CARTRIDGE DLSW-10-20 (9-7/8")	40	100	OK	
FC104	MWG STRING WOUND CARTRIDGE DLSW-10-50 (9-7/8")	40	100	OK	
FC105	MWG STRING WOUND CARTRIDGE DLSW-10-100 (9-7/8")	40	100	OK	
FC110	MWG STRING WOUND CARTRIDGE DLSW-20-01	40	100	OK	
FC111	MWG STRING WOUND CARTRIDGE DLSW-20-05	40	100	OK	
FC112	MWG STRING WOUND CARTRIDGE DLSW-20-10	40	100	OK	
FC113	MWG STRING WOUND CARTRIDGE DLSW-20-20	40	100	OK	
FC114	MWG STRING WOUND CARTRIDGE DLSW-20-50	40	100	OK	
FC115	MWG STRING WOUND CARTRIDGE DLSW-20-100	40	100	OK	

Ref	Nominal Length (inch)	Length (mm)	Micron
FC100	10"	251	1
FC101	10"	251	5
FC102	10"	251	10
FC103	10"	251	20
FC104	10"	251	50
FC105	10"	251	100
FC110	20"	508	1
FC111	20"	508	5
FC112	20"	508	10
FC113	20"	508	20
FC114	20"	508	50
FC115	20"	508	100

Certificates	Manufacturer	Sectors
DM174-2004	<b>MWG</b>	Domestic, Commercial, Industrial



## Melt Blown Filtering Cartridges

- Thermowelded polypropylene fibers cartridges with no lubricants or antistatic additives;
- Any migration into the filtered water;
- Wide chemical compatibility;
- High retention capacity & filtration efficiency multilayer structure;
- Filtration efficiency 96 % minimum;
- High retention capacity extends cartridge life;
- External diameter 63 mm, internal 28 mm;
- Nominal length: 10" - 20" - 30" - 40".
- Suggested filtration flow rate for 10" length: 15 ÷ 20 lpm;
- Max filtration flow rate for 40" length: 60 lpm;
- Max ΔP recommended 1,4 bar;
- Max operating temperature = 80°C.

Ref	Description	Fam.	Subfam.	Disp. Stock	
FC050	MELT BLOWN CARTRIDGE DLPP-01-10 ( 9.7/8")	40	100	OK	
FC051	MELT BLOWN CARTRIDGE DLPP-05-10 ( 9.7/8")	40	100	OK	
FC052	MELT BLOWN CARTRIDGE DLPP-10-10 (9.7/8")	40	100	OK	
FC053	MELT BLOWN CARTRIDGE DLPP-20-10 ( 9.7/8")	40	100	OK	
FC054	MELT BLOWN CARTRIDGE DLPP-30-10 ( 9.7/8" )	40	100	OK	
FC055	MELT BLOWN CARTRIDGE DLPP-50-10 ( 9.7/8")	40	100	OK	
FC060	MELT BLOWN CARTRIDGE DLPP-01-20	40	100	OK	
FC061	MELT BLOWN CARTRIDGE DLPP-05-20	40	100	OK	
FC062	MELT BLOWN CARTRIDGE DLPP-10-20	40	100	OK	
FC063	MELT BLOWN CARTRIDGE DLPP-20-20	40	100	OK	
FC064	MELT BLOWN CARTRIDGE DLPP-30-20	40	100	OK	
FC065	MELT BLOWN CARTRIDGE DLPP-50-20	40	100	OK	
FC070	MELT BLOWN CARTRIDGE DLPP-01-30	40	100	OK	
FC071	MELT BLOWN CARTRIDGE DLPP-05-30	40	100	OK	
FC072	MELT BLOWN CARTRIDGE DLPP-10-30	40	100	OK	
FC073	MELT BLOWN CARTRIDGE DLPP-20-30	40	100	OK	
FC074	MELT BLOWN CARTRIDGE DLPP-30-30	40	100	OK	
FC075	MELT BLOWN CARTRIDGE DLPP-50-30	40	100	OK	
FC080	MELT BLOWN CARTRIDGE DLPP-01-40	40	100	OK	
FC081	MELT BLOWN CARTRIDGE DLPP-05-40	40	100	OK	
FC082	MELT BLOWN CARTRIDGE DLPP-10-40	40	100	OK	
FC083	MELT BLOWN CARTRIDGE DLPP-20-40	40	100	OK	
FC084	MELT BLOWN CARTRIDGE DLPP-30-40	40	100	OK	
FC085	MELT BLOWN CARTRIDGE DLPP-50-40	40	100	OK	





## Melt Blown Filtering Cartridges

Ref	Nominal Lenght (inch)	Lenght (mm)	Micron
FC050	10"	251	1
FC051	10"	251	5
FC052	10"	251	10
FC053	10"	251	20
FC054	10"	251	30
FC055	10"	251	50
FC060	20"	505	1
FC061	20"	505	5
FC062	20"	505	10
FC063	20"	505	20
FC064	20"	505	30
FC065	20"	505	50
FC070	30"	764	1
FC071	30"	764	5
FC072	30"	764	10
FC073	30"	764	20
FC074	30"	764	30
FC075	30"	764	50
FC080	40"	1018	1
FC081	40"	1018	5
FC082	40"	1018	10
FC083	40"	1018	20
FC084	40"	1018	30
FC085	40"	1018	50

Box: WxLxH	Box: Q.ty	Box: Weight	Pallet: WxLxH	Pallet: Q.ty	Pallet: Weight

Certificates	Manufacturer	Sectors
DM174-2004		Domestic, Commercial, Industrial



## PP Big Sediment Filter Cartridges



- melt-blown polypropylene fibers;
- dimensions 114 mm external diameter;
- dimensions 28 mm internal diameter;
- max working temperature 65°C.

Ref	Description	Fam.	Subfam.	Disp. Stock	
FA038	MELT BLOWN CARTRIDGE BIG DLPPBB-01-10 (9.7/8")	40	105	OK	
FA034	MELT BLOWN CARTRIDGE BIG DLPPBB-05-10 (9.7/8")	40	105	OK	
FA035	MELT BLOWN CARTRIDGE BIG DLPPBB-20-10 (9.7/8")	40	105	OK	
FA036	MELT BLOWN CARTRIDGE BIG DLPPBB-50-10 (9.7/8")	40	105	OK	
FA039	MELT BLOWN CARTRIDGE BIG DLPPBB-01-20	40	105	OK	
FA028	MELT BLOWN CARTRIDGE BIG DLPPBB-05-20	40	105	OK	
FA029	MELT BLOWN CARTRIDGE BIG DLPPBB-20-20	40	105	OK	
FA037	MELT BLOWN CARTRIDGE BIG DLPPBB-50-20	40	105	OK	

Ref	Nominal Length (inch)	Length (mm)	Micron
FA038	10"	251	1
FA034	10"	251	5
FA035	10"	251	20
FA036	10"	251	50
FA039	20"	508	1
FA028	20"	508	5
FA029	20"	508	20
FA037	20"	508	50

Box: WxLxH	Box: Q.ty	Box: Weight	Pallet: WxLxH	Pallet: Q.ty	Pallet: Weight

Certificates	Manufacturer	Sectors
DM174-2004		Domestic, Commercial, Industrial



## Purtrex Filtering Cartridges



- in melt-blown polypropylene fibers;
- any microfibers migration in filtered water;
- graduated density from external to internal side improves filter efficiency;
- high retention capacity extends cartridge life;
- external diameter 63 mm, internal 28 mm;
- nominal length 10" - 20" - 30" - 40".
- suggested filtration flow rate for 10" length: 15 ÷ 20 lpm;
- max filtration flow rate for 40" length: 60 lpm;
- max operating temperature = 80°C.

Ref	Description	Fam.	Subfam.	Disp. Stock	
FC010	PURTREX CARTRIDGE PX01-9.7/8"	40	100	OK	
FC011	PURTREX CARTRIDGE PX03-9.7/8"	40	100	OK	
FC012	PURTREX CARTRIDGE PX05-9.7/8"	40	100	OK	
FC013	PURTREX CARTRIDGE PX10-9.7/8"	40	100	OK	
FC014	PURTREX CARTRIDGE PX20-9.7/8"	40	100	OK	
FC015	PURTREX CARTRIDGE PX30-9.7/8"	40	100	OK	
FC016	PURTREX CARTRIDGE PX50-9.7/8"	40	100	OK	
FC017	PURTREX CARTRIDGE PX75-9.7/8"	40	100	OK	
FC020	PURTREX CARTRIDGE PX01-20"	40	100	OK	
FC021	PURTREX CARTRIDGE PX03-20"	40	100	OK	
FC022	PURTREX CARTRIDGE PX05-20"	40	100	OK	
FC023	PURTREX CARTRIDGE PX10-20"	40	100	OK	
FC024	PURTREX CARTRIDGE PX20-20"	40	100	OK	
FC025	PURTREX CARTRIDGE PX30-20"	40	100	OK	
FC026	PURTREX CARTRIDGE PX50-20"	40	100	OK	
FC030	PURTREX CARTRIDGE PX01-30"	40	100	OK	
FC031	PURTREX CARTRIDGE PX03-30"	40	100	OK	
FC032	PURTREX CARTRIDGE PX05-30"	40	100	OK	
FC033	PURTREX CARTRIDGE PX10-30"	40	100	OK	
FC034	PURTREX CARTRIDGE PX20-30"	40	100	OK	
FC035	PURTREX CARTRIDGE PX30-30"	40	100	OK	
FC036	PURTREX CARTRIDGE PX50-30"	40	100	OK	
FC040	PURTREX CARTRIDGE PX01-40"	40	100	OK	
FC041	PURTREX CARTRIDGE PX03-40"	40	100	OK	
FC042	PURTREX CARTRIDGE PX05-40"	40	100	OK	
FC043	PURTREX CARTRIDGE PX10-40"	40	100	OK	
FC044	PURTREX CARTRIDGE PX20-40"	40	100	OK	
FC045	PURTREX CARTRIDGE PX30-40"	40	100	OK	
FC046	PURTREX CARTRIDGE PX50-40"	40	100	OK	



## Purtrex Filtering Cartridges

Ref	Nominal Length (inch)	Length (mm)	Micron
FC010	10"	251	1
FC011	10"	251	3
FC012	10"	251	5
FC013	10"	251	10
FC014	10"	251	20
FC015	10"	251	30
FC016	10"	251	50
FC017	10"	251	75
FC020	20"	508	1
FC021	20"	508	3
FC022	20"	508	5
FC023	20"	508	10
FC024	20"	508	20
FC025	20"	508	30
FC026	20"	508	50
FC030	30"	764	1
FC031	30"	764	3
FC032	30"	764	5
FC033	30"	764	10
FC034	30"	764	20
FC035	30"	764	30
FC036	30"	764	50
FC040	40"	1018	1
FC041	40"	1018	3
FC042	40"	1018	5
FC043	40"	1018	10
FC044	40"	1018	20
FC045	40"	1018	30
FC046	40"	1018	50

Box: WxLxH	Box: Q.ty	Box: Weight	Pallet: WxLxH	Pallet: Q.ty	Pallet: Weight

Certificates	Manufacturer	Sectors
DM174-2004 , FDA21 , NSF42		Domestic, Commercial, Industrial



## Activated Carbon Filtering Cartridges



### Carbon Block End Cap 70

- Extruded activated carbon of Bituminous origin;
- Recommended for pre-filtration applications and for Chlorine removal;
- Dimensions: external diameter = 64 mm; internal diameter = 28 mm; end-cap diameter = 70 mm.
- Max operating temperature = 50 °C.

Ref	Description	Fam.	Subfam.	Disp. Stock	
FA012	CARBON BLOCK CARTRIDGE CBC 5" CTO 1 MICRON	40	105	OK	
FA013	CARBON BLOCK CARTRIDGE EB-CB -9"7/8 CTO 10 MICRON	40	105	OK	
FA014	CARBON BLOCK CARTRIDGE CBC 20" CTO 10 MICRON	40	105	OK	

Ref	Nominal Length (inch)	Length (mm)	Microns	Suggested Flow Rate (l/h)	CAP
FA012	5"	124	1	120	White
FA013	10"	250	10	240	White
FA014	20"	508	10	480	White

Box: WxLxH	Box: Q.ty	Box: Weight	Pallet: WxLxH	Pallet: Q.ty	Pallet: Weight

Certificates	Manufacturer	Sectors
DM174-2004		Domestic, Commercial, Industrial



### Carbon Block End Cap 65

- Extruded activated carbon of Bituminous origin.
- Recommended for pre-filtration applications and for Chlorine removal.
- Dimensions: external diameter = 62 mm; internal diameter = 30 mm; end-cap diameter = 65 mm.
- Max operating temperature = 50 °C.

Ref	Description	Fam.	Subfam.	Disp. Stock	
FA018	CARBON BLOCK CARTRIDGE 10" CTO 10 MICRON END CAP65	40	105	OK	
FA019	CARBON BLOCK CARTRIDGE 20" CTO 10 MICRON END CAP65	40	105	OK	

Ref	Nominal Length (inch)	Length (mm)	Micron	Suggested Flow Rate (l/h)	CAP
FA018	10"	250	10	240	White
FA019	20"	508	10	480	White

Box: WxLxH	Box: Q.ty	Box: Weight	Pallet: WxLxH	Pallet: Q.ty	Pallet: Weight

Certificates	Manufacturer	Sectors
DM174-2004		Domestic, Commercial, Industrial





## Activated Carbon Filtering Cartridges



### Big Carbon Block

- Bituminous carbon block.
- Suitable for pre-filtration applications and for Chlorine removal.
- Dimensions: external diameter = 108 mm (4 1/4"); internal diameter = 28 mm ; end-cap diameter = 114 mm.

**NOTE: the cartridge FA016 is not suitable for MWG BIG Three-Pieces Filter Housings in our Catalogue.**

Ref.	Description	Fam.	Subfam.	Disp. Stock	
FA016-975	CARBON BLOCK CARTRIDGE CBC 9.75" BIG CTO 5 MICRON	40	105	OK	
FA016	CARBON BLOCK CARTRIDGE CBC 10" BIG CTO 5 MICRON	40	105	OK	
FA015	CARBON BLOCK CARTRIDGE CBC 20" BIG CTO 5 MICRON	40	105	OK	

Ref.	Nominal Length (inch)	Length (mm)	Micron	Suggested Flow Rate(l/h)
FA016-975	9.75"	247	5	800
FA016	10"	250	5	800
FA015	20"	508	5	1600

Box: WxLxH	Box: Q.ty	Box: Weight	Pallet: WxLxH	Pallet: Q.ty	Pallet: Weight

Certificates	Manufacturer	Sectors
DM174-2004		Domestic, Commercial, Industrial

### Granular activated carbon

- PE container cartridge empty or with granular activated carbon;
- external diameter 73 mm;
- nominal length 10";
- length 254 mm.



Ref	Description	Fam.	Subfam.	Disp. Stock	
FA007	GAC CARTRIDGE 10N 9"7/8 VEGETAL	40	105	OK	
FA008	EMPTY CARTRIDGE 10"	40	105	OK	

Box: WxLxH	Box: Q.ty	Box: Weight	Pallet: WxLxH	Pallet: Q.ty	Pallet: Weight

Certificates	Manufacturer	Sectors
		Domestic, Commercial, Industrial



### Empty Cartridges

- Empty cartridges with body in polyethylene, end caps in PP, prefilter in polyurethane foam and gasket in EPDM;
- Max operating temperature 45°C;
- Refillable with polyphosphate crystals, activated carbon, resins, calcite and Corosex.

Ref	Description	Fam.	Subfam.	Disp. Stock	
FAV210	EMPTY CARTRIDGE OD=2,5" L=10"	40	105	OK	
FAV220	EMPTY CARTRIDGE OD=2,5" L=20"	40	105	OK	
FAV410	EMPTY CARTRIDGE OD=4,5" L=10"	40	105	OK	
FAV420	EMPTY CARTRIDGE OD=4,5" L=20"	40	105	OK	

Ref	Nominal Length (inch)	Length (mm)
FAV210	10"	250
FAV220	20"	505
FAV410	10"	250
FAV420	20"	505

Box: WxLxH	Box: Q.ty	Box: Weight	Pallet: WxLxH	Pallet: Q.ty	Pallet: Weight



COD: FCAP1050

COD: FCAL1070

### Washable SS Filtering Cartridges

- With two O-rings 57 mm;
- Dimensions external diameter 70 mm, internal 30 mm;
- Length = 250 mm and Nominal Length 10".

Ref.	Description	Fam.	Subfam.	Disp. Stock	
FCAP1050	AISI 304 PLEATED CARTRIDGE 10"-50 MICRON 2 O-RINGS 57 MM	40	105	OK	
FCAL1070	AISI 304 SMOOTH CARTRIDGE 10"-70 MICRON 2 O-RINGS 57 MM	40	105	OK	

Box: WxLxH	Box: Q.ty	Box: Weight	Pallet: WxLxH	Pallet: Q.ty	Pallet: Weight

Certificates	Manufacturer	Sectors
DM174-2004		Domestic, Commercial



### DOE Polyester Filtering Cartridges for OTS Housings

- Washable, with filtration degree 60 micron;
- External diameter 62 mm, internal 27 mm.

Ref.	Description	Fam.	Subfam.	Disp. Stock
FA067	WASHABLE POYESTER CARTRIDGE 60-9	40	105	OK
FA068	WASHABLE POYESTER CARTRIDGE 60-20	40	105	OK

Ref	Nominal Lenght (pollici)	Lenght (mm)
FA067	10"	248
FA068	20"	505

Box: WxLxH	Box: Q.ty	Box: Weight	Pallet: WxLxH	Pallet: Q.ty	Pallet: Weight

Certificates	Manufacturer	Sectors
DM174-2004		Domestic, Commercial, Industrial



### OR222 Nylon Filtering Cartridges for OTS Housings

- Washable, with filtration degree 60 micron;
- To fit into OTS brass head housings 1 ¼" - 1 ½" - 2" models;
- External diameter 61 mm;
- With 222 O-rings;
- Max ΔP recommended 1,4 bar.

Ref	Description	Fam.	Subfam.	Disp. Stock
FB067	WASHABLE NYLON CARTRIDGE 60 MICRON OTS 10" - OR22	40	105	OK
FB068	WASHABLE CARTRIDGE NYLON 60 MICRON OTS 20" - OR22	40	105	OK

Ref	Nominal Lenght (inch)	Lenght (mm)	Flow Δp=0,2 bar (l/h)
FB067	10"	250	1800
FB068	20"	505	3600

Box: WxLxH	Box: Q.ty	Box: Weight	Pallet: WxLxH	Pallet: Q.ty	Pallet: Weight

Certificates	Manufacturer	Sectors
DM174-2004 ACS		Domestic, Commercial



FAAP1050 FAAL1070



### AISI 316 Filtering DOE Cartridges for Hot Water

- Washable and suitable for MWG Hot Water Filter Housings on catalog;
- Dimensions external diameter 70 mm, internal 30 mm;
- Nominal Length 10" (= 250 mm ) and 20" (= 505 mm );
- Range temperature 4 - 80°C.

Ref	Description	Fam.	Subfam.	Disp. Stock	
FAAP1050	MWG AISI 316 PLEATED CARTRIDGE 10"-50 MICRON	40	105	OK	
FAAL1070	MWG AISI 316 SMOOTH CARTRIDGE 10"-70 MICRON	40	105	OK	
FAAP2050	MWG AISI 316 PLEATED CARTRIDGE 20" - 50 MICRON	40	105	OK	
FAAL2070	MWG AISI 316 SMOOTH CARTRIDGE L=20"-70 MICRON	40	105	OK	

Box: WxLxH	Box: Q.ty	Box: Weight	Pallet: WxLxH	Pallet: Q.ty	Pallet: Weight

Certificates	Manufacturer	Sectors
DM174-2004 ACS	<b>MWG</b>	Domestic, Commercial, Industrial



### Nylon Mesh Filtering Cartridge with PP Reinforcement

- Washable and inspectable cartridge;
- Filtration degree 60 micron;
- Dimensions external diameter 62 mm, internal 27 mm;
- Length 9 3/4" (=250 mm) or 20".

Ref.	Description	Fam.	Subfam.	Disp. Stock	
FA060	MWG 10" CARTRIDGE POLYESTER WASHABLE NET 60 MICRON	40	105	OK	
FA9RP2060	MWG 20" CARTRIDGE POLYESTER WASHABLE NET 60 MICRON	40	105	OK	

Box: WxLxH	Box: Q.ty	Box: Weight	Pallet: WxLxH	Pallet: Q.ty	Pallet: Weight

Certificates	Manufacturer	Sectors
	<b>MWG</b>	Domestic, Commercial, Industrial



### Wound Polypropylene Cartridge with AISI 316 Core for Hot Water Filters

- To install with our Hot Water Filters on catalogue;
- dimensions external diameter 60 mm, internal 27 mm;
- length 250 mm, nominal length 10";
- max operating temperature 80°C.

Ref	Description	Fam.	Subfam.	Disp. Stock	
FA071	MWG STRING WOUND CARTRIDGE AISI 316 CORE DLSW5-975	40	105	OK	
FA072	MWG STRING WOUND CARTRIDGE AISI316 CORE DLSW10-975	40	105	OK	
FA074	MWG STRING WOUND CARTRID. AISI316 CORE DLSW50-975E	40	105	OK	

Ref	Description	Micron
FA071	MWG STRING WOUND CARTRIDGE AISI 316 CORE DLSW5-975	5
FA072	MWG STRING WOUND CARTRIDGE AISI316 CORE DLSW10-975	10
FA074	MWG STRING WOUND CARTRID. AISI316 CORE DLSW50-975E	50

Certificates	Manufacturer	Sectors
DM174-2004	<b>MWG</b>	Domestic, Commercial, Industrial



## Filtering Cartridges

### Empty Cartridges



- plastic empty cartridge;
- external diameter 70 mm;
- useful to fill with polyphosphate crystals - activated carbon - resins.

Ref.	Description	Fam.	Subfam.	Disp. Stock	
FA9VP10	MWG EMPTY CARTRIDGE 10"	40	105	OK	
FA9VP20	MWG EMPTY CARTRIDGE 20"	40	105	OK	

Ref.	Nominal Length (inch)	Length (mm)	Volume (Liters)
FA9VP10	10"	252	0,6
FA9VP20	20"	510	1,2

Box: WxLxH	Box: Q.ty	Box: Weight	Pallet: WxLxH	Pallet: Q.ty	Pallet: Weight

Certificates	Manufacturer	Sectors
DM174-2004	<b>MWG</b>	Domestic

### PP Melt Blown 5" Filtering Cartridge

- melt blown polypropylene fibers cartridge; dimensions external diameter 64 mm, internal 25 mm.

Ref	Description	Fam.	Subfam.	Disp. Stock	
FA021	IN FIBER CARTRIDGE PP 5" SED 5 MICRON	40	105	OK	

Ref	Nominal Length (inch)	Length (mm)	Micron
FA021	5"	126	5

Box: WxLxH	Box: Q.ty	Box: Weight	Pallet: WxLxH	Pallet: Q.ty	Pallet: Weight

Certificates	Manufacturer	Sectors
		Domestic, Commercial, Industrial



## MWG Pleated Filter Cartridges



- Washable and reusable cartridges;
- Suitable for R.O. prefiltration applications, water process, cooling waters, wastewater, deionized water, plating chemicals;
- ID 28 mm;
- Max operating temperature = 38 °C;
- Max pressure drops 4 bar;
- 30" and 40" lenghts available on demand.

Ref.	Description	Fam.	Subfam.	Disp. Stock	
FAPL09200	PLEATED FILTER 9,75" OD=2,5" 0,35 MICRON	40	105	OK	
FAPL09201	PLEATED FILTER 9,75" OD=2,5" 1 MICRON	40	105	OK	
FAPL09205	PLEATED FILTER 9,75" OD=2,5" 5 MICRON	40	105	OK	
FAPL09210	PLEATED FILTER 9,75" OD=2,5" 10 MICRON	40	105	OK	
FAPL09220	PLEATED FILTER 9,75" OD=2,5" 20 MICRON	40	105	OK	
FAPL09250	PLEATED FILTER 9,75" OD=2,5" 50 MICRON	40	105	OK	
FAPL20200	PLEATED FILTER 20" OD=2,5" 0,35 MICRON	40	105	OK	
FAPL20201	PLEATED FILTER 20" OD=2,5" 1 MICRON	40	105	OK	
FAPL20205	PLEATED FILTER 20" OD=2,5" 5 MICRON	40	105	OK	
FAPL20210	PLEATED FILTER 20" OD=2,5" 10 MICRON	40	105	OK	
FAPL20220	PLEATED FILTER 20" OD=2,5" 20 MICRON	40	105	OK	
FAPL20250	PLEATED FILTER 20" OD=2,5" 50 MICRON	40	105	OK	

Ref.	Nominal Lenght (inch)	Lenght (mm)	External Diameter (inches)	External Diameter(mm)	Micron
FAPL09200	9,75"	248	2,5"	68	0,35
FAPL09201	9,75"	248	2,5"	68	1
FAPL09205	9,75"	248	2,5"	68	5
FAPL09210	9,75"	248	2,5"	68	10
FAPL09220	9,75"	248	2,5"	68	20
FAPL09250	9,75"	248	2,5"	68	50
FAPL20200	20"	508	2,5"	68	0,35
FAPL20201	20"	508	2,5"	68	1
FAPL20205	20"	508	2,5"	68	5
FAPL20210	20"	508	2,5"	68	10
FAPL20220	20"	508	2,5"	68	20
FAPL20250	20"	508	2,5"	68	50

Box: WxLxH	Box: Q.ty	Box: Weight	Pallet: WxLxH	Pallet: Q.ty	Pallet: Weight

Certificates	Manufacturer	Sectors
	<b>MWG</b>	Domestic, Commercial, Industrial



## MWG BIG Pleated Filter Cartridges



- Washable and reusable cartridges;
- Suitable for R.O. prefiltration applications, water process, cooling waters, wastewater, deionized water, plating chemicals;
- ID 28 mm;
- Max operating temperature = 38 °C;
- Max pressure drops 4 bar;
- 30" and 40" lenghts available on demand.

Ref.	Description	Fam.	Subfam.	Disp. Stock	
FAPL09400	PLEATED FILTER 9,75" OD=4,5" 0,35 MICRON	40	105	OK	
FAPL09401	PLEATED FILTER 9,75" OD=4,5" 1 MICRON	40	105	OK	
FAPL09405	PLEATED FILTER 9,75" OD=4,5" 5 MICRON	40	105	OK	
FAPL09410	PLEATED FILTER 9,75" OD=4,5" 10 MICRON	40	105	OK	
FAPL09420	PLEATED FILTER 9,75" OD=4,5" 20 MICRON	40	105	OK	
FAPL09450	PLEATED FILTER 9,75" OD=4,5" 50 MICRON	40	105	OK	
FAPL20400	PLEATED FILTER 20" OD=4,5" 0,35 MICRON	40	105	OK	
FAPL20401	PLEATED FILTER 20" OD=4,5" 1 MICRON	40	105	OK	
FAPL20405	PLEATED FILTER 20" OD=4,5" 5 MICRON	40	105	OK	
FAPL20410	PLEATED FILTER 20" OD=4,5" 10 MICRON	40	105	OK	
FAPL20420	PLEATED FILTER 20" OD=4,5" 20 MICRON	40	105	OK	
FAPL20450	PLEATED FILTER 20" OD=4,5" 50 MICRON	40	105	OK	

Ref.	Nominal Lenght (inch)	Lenght (mm)	External Diameter (inches)	External Diameter(mm)	Micron
FAPL09400	9,75"	248	4,5"	115	0,35
FAPL09401	9,75"	248	4,5"	115	1
FAPL09405	9,75"	248	4,5"	115	5
FAPL09410	9,75"	248	4,5"	115	10
FAPL09420	9,75"	248	4,5"	115	20
FAPL09450	9,75"	248	4,5"	115	50
FAPL20400	20"	508	4,5"	115	0,35
FAPL20401	20"	508	4,5"	115	1
FAPL20405	20"	508	4,5"	115	5
FAPL20410	20"	508	4,5"	115	10
FAPL20420	20"	508	4,5"	115	20
FAPL20450	20"	508	4,5"	115	50

Box: WxLxH	Box: Q.ty	Box: Weight	Pallet: WxLxH	Pallet: Q.ty	Pallet: Weight

Certificates	Manufacturer	Sectors
	<b>MWG</b>	Domestic, Commercial, Industrial



## Residential Cintropur Filters



- range of filters for drinking water entirely made in synthetic material;
- the particular centrifugal effect causes the precipitation of larger particles, while the final filtration is assured by the filter sleeve;
- the filters include the sleeve at 25 micron;
- also available sleeves at 1, 10, 50 and 100 micron as spare parts;
- wrench and two complete connections included;
- max operating pressure 10 bar;
- max operating temperature 50°C.

Ref	Description	Fam.	Subfam.	Disp. Stock	
FB400	FILTER CINTROPUR NW18-3/4" - 25 MICRON	40	113	NO	
FB401	FILTER CINTROPUR NW 25-3/4" - 25 MICRON	40	113	OK	
FB402	FILTER CINTROPUR NW 25-1" - 25 MICRON	40	113	OK	
FB403	FILTER CINTROPUR NW 32-1 1/4" - 25 MICRON	40	113	OK	

Ref	Connections	Flow m <sup>3</sup> /h Δp 0,2 bar	Height (mm)	Width (mm)
FB400	3/4"	3,5	240	270
FB401	3/4"	5,5	355	270
FB402	1"	5,5	355	270
FB403	1 1/4"	6,5	540	270

Box: WxLxH	Box: Q.ty	Box: Weight	Pallet: WxLxH	Pallet: Q.ty	Pallet: Weight

Certificates	Manufacturer	Sectors
DM174-2004 ACS	Cintropur	Domestic, Commercial

### Accessories and spare parts

Ref	Description	Fam.	Subfam.	Disp. Stock	
FB470	SPANNER NW18/25/32 REF. 21	40	112	OK	
FB472	MANOMETER 1/8" SCALE 0-10 BAR NW 18/25/32 REF 23	40	112	OK	
FB473	SINGLE PP MOUNTING BRACKET NW18/25/32 REF. 24	40	112	OK	
FB444	N. 5 SPARE SLEEVES KIT 1 MICRON NW 25	40	112	OK	
FB426	N. 5 SPARE SLEEVES KIT 10 MICRONS NW 25	40	112	NO	
FB427	N. 5 SPARE SLEEVES KIT 25 MICRONS NW 25	40	112	OK	
FB428	N. 5 SPARE SLEEVES KIT 50 MICRONS NW 25	40	112	OK	
FB429	N. 5 SPARE SLEEVES KIT 100 MICRONS NW 25	40	112	OK	
FB445	N. 5 SPARE SLEEVES KIT 1 MICRON NW 32	40	112	OK	
FB433	N. 5 SPARE SLEEVES KIT 25 MICRONS NW 32	40	112	OK	
FB434	N. 5 SPARE SLEEVES KIT 50 MICRONS NW 32	40	112	OK	
FB435	N. 5 SPARE SLEEVES KIT 100 MICRONS NW 32	40	112	OK	





## Commercial Cintropur Filters



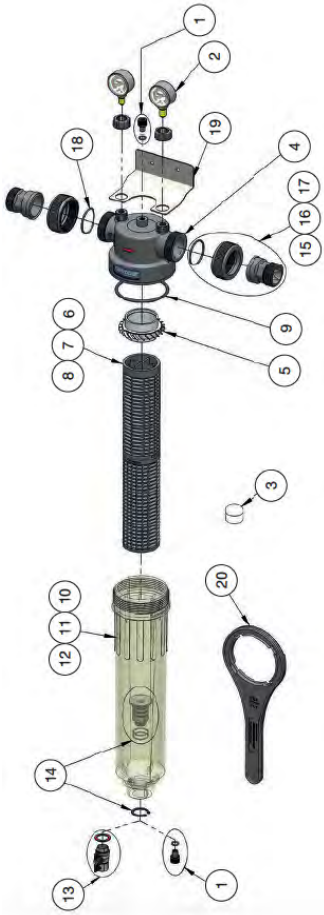
- range of filters for drinking water entirely made in synthetic material;
- the particular centrifugal effect causes the precipitation of larger particles, while the final filtration is assured by the filter sleeve;
- the filters include the sleeve at 25 micron;
- also available sleeves at 1, 5, 10, 50, 100, 150 and 300 micron as spare parts;
- wrench, pressure gauge and drain cock included;
- max operating pressure 10 bar;
- max pressure 16 bar;
- max operating temperature 50°C.

Ref	Description	Fam.	Subfam.	Disp. Stock	
FB404	FILTER CINTROPUR NW 280-1" - 25 MICRON	40	113	OK	
FB405	FILTER CINTROPUR NW 340-1"1/4 - 25 MICRON	40	113	OK	
FB406	FILTER CINTROPUR NW 400-1,5" - 25 MICRON	40	113	OK	

Ref	Flow m <sup>3</sup> /h Δp 0,2 bar	Weight (kg)	Connections	Ø Pipe	Total Width (mm)	Total Height (mm)
FB404	7	2,2	1" BSPT	1"	284	472
FB405	10	2,7	1¼"BSPT	1 ¼"	284	573
FB406	12	2,9	1½"BSPT	1 ½"	284	675

Box: WxLxH	Box: Q.ty	Box: Weight	Pallet: WxLxH	Pallet: Q.ty	Pallet: Weight

Certificates	Manufacturer	Sectors
DM174-2004 ACS	Cintropur	Commercial



Item	Ref.	Description	Fam.	Subfam.	Disp. Stock	
7	FB453C	NW340 PVC FILTERING SUPPORT ARMOR	40	112	NO	
18	FB499C	O-RING FOR NW280/340/400 CONNECTIONS	40	112	NO	
20	FB479C	NW280-340-400 WRENCH	40	112	NO	
Not shown	FB437C	N. 5 SPARE SLEEVES KIT 5 MICRON NW 280	40	112	OK	
Not shown	FB440C	N. 5 SPARE SLEEVES KIT 50 MICRON NW 280	40	112	OK	
Not shown	FB440D	N. 5 SPARE SLEEVES KIT 50 MICRON NW 340	40	112	OK	
Not shown	FB441D	N. 5 SPARE SLEEVES KIT 100 MICRON NW 340	40	112	OK	
Not shown	FB443D	N. 5 SPARE SLEEVES KIT 300 MICRON WASHABLE NW 340	40	112	NO	
Not shown	FB439E	N. 5 SPARE SLEEVES KIT 25 MICRON NW 400	40	112	OK	
Not shown	FB440E	N. 5 SPARE SLEEVES KIT 50 MICRON NW 400	40	112	OK	
Not shown	FB441E	N. 5 SPARE SLEEVES KIT 100 MICRON NW 400	40	112	OK	



## Industrial Cintropur Filters



- range of filters for drinking water entirely made in synthetic material;
- the particular centrifugal effect causes the precipitation of larger particles, while the final filtration is assured by the filter sleeve;
- the filters include the sleeve at 25 micron;
- also available sleeves at 5, 10, 50, 100, 150 and 300 micron as spare parts;
- wrench, pressure gauge and drain cock included;
- max operating pressure 10 bar;
- max pressure 16 bar;
- max operating temperature 50°C.

Ref	Description	Fam.	Subfam.	Disp. Stock	
FB408A	FILTER CINTROPUR NW 500-2" - 25 MICRON	40	113	OK	
FB408TE	FILTER CINTROPUR NW 500 - 2" - TE	40	113	OK	
FB409A	FILTER CINTROPUR NW 650-2"1/2 - 25 MICRON	40	113	OK	
FB410A	FILTER CINTROPUR NW 800-3" - 25 MICRON	40	113	OK	

Ref	Flow m <sup>3</sup> /h con Δp 0,2 bar	Weight (kg)	Connections	Ø Pipe	Total Height (mm)	Total Width (mm)
FB408A	18	6,4	2" BSPT	2"	363	770
FB408TE	2	6,4	2" BSPT	2"	363	770
FB409A	25	7,0	DN65	2 1/2"	304	770
FB410A	32	7,4	DN80	3"	313	770

Box: WxLxH	Box: Q.ty	Box: Weight	Pallet: WxLxH	Pallet: Q.ty	Pallet: Weight

Certificates	Manufacturer	Sectors
DM174-2004 ACS	Cintropur	Commercial, Industrial



## Industrial Cintropur Filters

### Spare Parts and Accessories



Rif. N.	Ref	Description	Fam.	Subfam.	Disp. Stock	
53	FB484A	SUPPORT ARMOR NW500/650/800 REF.53	40	112	NO	
55	FB486A	HEAD O-RING NW500/650/800 REF. 55	40	112	NO	
56	FB488A	TRANSPARENT BOWL NW500/650/800 REF. 56	40	112	NO	
62	FB479	SPANNER NW500/650/800 REF. 62	40	112	OK	
69	FB492C	NW280/340/400/500/650/800 1/4" PRESSURE GAUGE 0÷20 BAR	40	112	NO	
70	FB499	MANIFOLD O-RING CONNECTIONS NW500/650 REF. 70	40	112	NO	
71	FB499A	MANIFOLD O-RING CONNECTIONS NW800 REF. 71	40	112	NO	
Not shown	FB437	N. 5 SPARE SLEEVES KIT 5 MICRONS NW 50/62/75/500/650/800	40	112	OK	
Not shown	FB438	N. 5 SPARE SLEEVES KIT 10 MICRONS NW 50/62/75/500/650/800	40	112	OK	
Not shown	FB439	N. 5 SPARE SLEEVES KIT 25 MICRONS NW 50/62/75/500/650/800	40	112	OK	
Not shown	FB440	N. 5 SPARE SLEEVES KIT 50 MICRONS NW 50/62/75/500/650/800	40	112	OK	
Not shown	FB441	N. 5 SPARE SLEEVES KIT 100 MICRONS NW 50/62/75/500/650/800	40	112	OK	
Not shown	FB442	N. 5 SPARE SLEEVES KIT WASHABLE 150 MICRONS NW 50/62/75/500/650/800	40	112	OK	
Not shown	FB443	N. 5 SPARE SLEEVES KIT WASHABLE 300 MICRONS NW 50/62/75/500/650/800	40	112	OK	



## MWG MD Two Pieces Filter Housings, with IN/OUT 3/4" connections



- Made in European Union (Italy);
- Two pieces filter housings for standard filtering cartridges length 5", 10" or 20";
- Fixable head in material PP reinforced blue colour;
- Bowl in transparent PET or in blue PP;
- O-ring in NBR;
- IN/OUT connections 3/4" BSPP F;
- With air valve;
- Max operating pressure 8,6 bar;
- Temperature 4 ÷ 40°C.

Ref.	Description	Fam.	Subfam.	Disp. Stock	
FB9MD0507B	MWG TWO PIECES FILTER HOUSING 3/4" - L=5" BLUE BOWL	40	106	OK	
FB9MD1007B	MWG TWO PIECES FILTER HOUSING 3/4" - L=10" BLUE BOWL	40	106	OK	
FB9MD1007T	MWG TWO PIECES FILTER HOUSING 3/4" - L=10" CLEAR BOWL	40	106	OK	
FB9MD2007B	MWG TWO PIECES FILTER HOUSING 3/4" - L=20" BLUE BOWL	40	106	OK	
FB9MD2007T	MWG TWO PIECES FILTER HOUSING 3/4" - L=20" CLEAR BOWL	40	106	OK	

Ref.	Head Dimension (mm)	Total Length (mm)
FB9MD0507B	123	180
FB9MD1007B	123	310
FB9MD1007T	123	310
FB9MD2007B	123	573
FB9MD2007T	123	573

Box: WxLxH	Box: Q.ty	Box: Weight	Pallet: WxLxH	Pallet: Q.ty	Pallet: Weight

Certificates	Manufacturer	Sectors
DM174-2004, DM25-2012, ACS	<b>MWG</b>	Domestic, Commercial



## Three-Piece MWG BIG Filter Housings



- Made in European Union (Italy);
- Suitable for 4,5" diameter DOE high flow cartridges;
- Fixable head and nut in PP blue color; Clear Bowl in PET or White Bowl in PP material;
- O-ring in NBR; Complete with air valve; IN/OUT connections BSPP;
- Max operating pressure 6 bar; Temperature 4 ÷ 40°C;
- With plastic wrench (ref. FB9BGR11).

• Note: the installation of a pressure reducer is recommended.

Ref.	Description	Fam.	Subfam.	Disp. Stock	
FB9BG0907T	MWG FILTER HOUSING BIG 3 PIECES L=9.75" 3/4" CLEAR BOWL WITH WRENCH	40	106	OK	
FB9BG0907W	MWG FILTER HOUSING BIG 3 PIECES L=9.75" 3/4" WHITE BOWL WITH WRENCH	40	106	OK	
FB9BG0910T	MWG FILTER HOUSING BIG 3 PIECES L=9.75" 1" CLEAR BOWL WITH WRENCH	40	106	OK	
FB9BG0910W	MWG FILTER HOUSING BIG 3 PIECES L=9.75" 1" WHITE BOWL WITH WRENCH	40	106	OK	
FB9BG0915T	MWG FILTER HOUSING BIG 3 PIECES L=9.75" 1,5" CLEAR BOWL WITH WRENCH	40	106	OK	
FB9BG0915W	MWG FILTER HOUSING BIG 3 PIECES L=9.75" 1,5" WHITE BOWL WITH WRENCH	40	106	OK	
FB9BG2007T	MWG FILTER HOUSING BIG 3 PIECES L=20" 3/4" CLEAR BOWL WITH WRENCH	40	106	OK	
FB9BG2007W	MWG FILTER HOUSING BIG 3 PIECES L=20" 3/4" WHITE BOWL WITH WRENCH	40	106	OK	
FB9BG2010T	MWG FILTER HOUSING BIG 3 PIECES L=20" 1" CLEAR BOWL WITH WRENCH	40	106	OK	
FB9BG2010W	MWG FILTER HOUSING BIG 3 PIECES L=20" 1" WHITE BOWL WITH WRENCH	40	106	OK	
FB9BG2015T	MWG FILTER HOUSING BIG 3 PIECES L=20" 1,5" CLEAR BOWL WITH WRENCH	40	106	OK	
FB9BG2015W	MWG FILTER HOUSING BIG 3 PIECES L=20" 1,5" WHITE BOWL WITH WRENCH	40	106	OK	

Ref.	In/Out Connection (inch)	Head Dimension (mm)	Total Length (mm)
FB9BG0907T	3/4" F	196	374
FB9BG0907W	3/4" F	196	374
FB9BG0910T	1" F	196	374
FB9BG0910W	1" F	196	374
FB9BG0915T	1,5" F	196	374
FB9BG0915W	1,5" F	196	374
FB9BG2007T	3/4" F	196	632
FB9BG2007W	3/4" F	196	632
FB9BG2010T	1" F	196	632
FB9BG2010W	1" F	196	632
FB9BG2015T	1,5" F	196	632
FB9BG2015W	1,5" F	196	632

Box: WxLxH	Box: Q.ty	Box: Weight	Pallet: WxLxH	Pallet: Q.ty	Pallet: Weight

Certificates	Manufacturer	Sectors
DM174-2004, DM25-2012	<b>MWG</b>	Domestic, Commercial

### Matching Cartridges

- BIG PP microfiber filtering cartridges;
- BIG CARBON BLOCK filtering cartridges.

Note: For Housings L=9.75" the cartridge CBC is our ref. FA016-975



## Three-Piece MWG BIG Filter Housings with By-pass



- Made in European Union (Italy);
- Suitable for 4,5" diameter DOE high flow cartridges;
- Fixable head and nut in PP blue color; Clear Bowl in PET or White Bowl in PP material;
- O-ring in NBR; complete with air valve;
- Max operating pressure 6 bar; Temperature 4 ÷ 40°C;
- IN/OUT connections BSPP;
- With plastic wrench (ref. FB9BGR11).
- Note: the installation of a pressure reducer is recommended.

Ref.	Description	Fam.	Subfam.	Disp. Stock	
FB9BG0907TBP	MWG FILTER HOUSING BIG 3 PIECES L=9.75" 3/4" CLEAR BOWL WITH BY-PASS WITH WRENCH	40	106	OK	
FB9BG0907WBP	MWG FILTER HOUSING BIG 3 PIECES L=9.75" 3/4" WHITE BOWL WITH BY-PASS WITH WRENCH	40	106	OK	
FB9BG0910TBP	MWG FILTER HOUSING BIG 3 PIECES L=9.75" 1" CLEAR BOWL WITH BY-PASS WITH WRENCH	40	106	OK	
FB9BG0910WBP	MWG FILTER HOUSING BIG 3 PIECES L=9.75" 1" WHITE BOWL WITH BY-PASS WITH WRENCH	40	106	OK	
FB9BG0915TBP	MWG FILTER HOUSING BIG 3 PIECES L=9.75" 1,5" CLEAR BOWL WITH BY-PASS WITH WRENCH	40	106	OK	
FB9BG0915WBP	MWG FILTER HOUSING BIG 3 PIECES L=9.75" 1,5" WHITE BOWL WITH BY-PASS WITH WRENCH	40	106	OK	
FB9BG2007TBP	MWG FILTER HOUSING BIG 3 PIECES L=20" 3/4" CLEAR BOWL WITH BY-PASS WITH WRENCH	40	106	OK	
FB9BG2007WBP	MWG FILTER HOUSING BIG 3 PIECES L=20" 3/4" WHITE BOWL WITH BY-PASS WITH WRENCH	40	106	OK	
FB9BG2010TBP	MWG FILTER HOUSING BIG 3 PIECES L=20" 1" CLEAR BOWL WITH BY-PASS WITH WRENCH	40	106	OK	
FB9BG2010WBP	MWG FILTER HOUSING BIG 3 PIECES L=20" 1" WHITE BOWL WITH BY-PASS WITH WRENCH	40	106	OK	
FB9BG2015TBP	MWG FILTER HOUSING BIG 3 PIECES L=20" 1,5" CLEAR BOWL WITH BY-PASS WITH WRENCH	40	106	OK	
FB9BG2015WBP	MWG FILTER HOUSING BIG 3 PIECES L=20" 1,5" WHITE BOWL WITH BY-PASS WITH WRENCH	40	106	OK	

Ref.	In/Out Connection (inch)	Head Dimension (mm)	Total Length (mm)
FB9BG0907TBP	3/4" F	196	374
FB9BG0907WBP	3/4" F	196	374
FB9BG0910TBP	1" F	196	374
FB9BG0910WBP	1" F	196	374
FB9BG0915TBP	1,5" F	196	374
FB9BG0915WBP	1,5" F	196	374
FB9BG2007TBP	3/4" F	196	632
FB9BG2007WBP	3/4" F	196	632
FB9BG2010TBP	1" F	196	632
FB9BG2010WBP	1" F	196	632
FB9BG2015TBP	1,5" F	196	632
FB9BG2015WBP	1,5" F	196	632

Box: WxLxH	Box: Q.ty	Box: Weight	Pallet: WxLxH	Pallet: Q.ty	Pallet: Weight

Certificates	Manufacturer	Sectors
DM174-2004, DM25-2012	<b>MWG</b>	Domestic, Commercial

### Matching Cartridges

- BIG PP microfiber filtering cartridges;
- BIG CARBON BLOCK filtering cartridges.

Note: For Housings L=9.75" the cartridge CBC is our ref. FA016-975



## Three-Piece MWG BIG Filter Housings with or without By-pass

### Spare Parts and Accessories

Ref.	Description	Fam.	Subfam.	Disp. Stock	
FB9BGR11	WRENCH FOR MWG FILTER HOUSING BIG 3 PIECES	40	106	OK	
FB9BGR21	SS PAINTED MOUNTING BRACKET FOR 1 MWG FILTER HOUSING BIG 3 PIECES	40	106	OK	
FB9BGR45	PRESSURE GAUGE FOR MWG FILTER HOUSING BIG 3 PIECES	40	106	OK	





## MWG MT Three Pieces Filter Housings



- Made in European Union (Italy);
- Three pieces filter housings for standard filtering cartridges length 10" or 20";
- Fixable head and nut in material PP reinforced blue colour; Bowl in transparent PET or in white opaque PP; O-ring in NBR;
- IN/OUT connections BSPP F 1/2", 3/4" or 1", with brass inserts; With air valve;
- Max operating pressure 8,6 bar; Temperature 4 ÷ 40°C.

Ref.	Description	Fam.	Subfam.	Disp. Stock	
FB9MT1005T	MWG THREE PIECES FILTER HOUSING 1/2" - L=10" CLEAR BOWL	40	106	OK	
FB9MT1007T	MWG THREE PIECES FILTER HOUSING 3/4" - L=10" CLEAR BOWL	40	106	OK	
FB9MT1007W	MWG THREE PIECES FILTER HOUSING 3/4" - L=10" WHITE BOWL	40	106	OK	
FB9MT1010T	MWG THREE PIECES FILTER HOUSING 1" - L=10" CLEAR BOWL	40	106	OK	
FB9MT1010W	MWG THREE PIECES FILTER HOUSING 1" - L=10" WHITE BOWL	40	106	OK	
FB9MT2005T	MWG THREE PIECES FILTER HOUSING 1/2" - L=20" CLEAR BOWL	40	106	OK	
FB9MT2007T	MWG THREE PIECES FILTER HOUSING 3/4" - L=20" CLEAR BOWL	40	106	OK	
FB9MT2010T	MWG THREE PIECES FILTER HOUSING 1" - L=20" CLEAR BWL	40	106	OK	
FB9MT2010W	MWG THREE PIECES FILTER HOUSING 1" - L=20" WHITE BOWL	40	106	OK	

Ref.	Connections (inch)	Head Dimension (mm)	Total Length (mm)
FB9MT1005T	1/2"	123	308
FB9MT1007T	3/4"	123	308
FB9MT1007W	3/4"	123	308
FB9MT1010T	1"	123	308
FB9MT1010W	1"	123	308
FB9MT2005T	1/2"	123	564
FB9MT2007T	3/4"	123	564
FB9MT2010T	1"	123	564
FB9MT2010W	1"	123	564

Box: WxLxH	Box: Q.ty	Box: Weight	Pallet: WxLxH	Pallet: Q.ty	Pallet: Weight

Certificates	Manufacturer	Sectors
DM174-2004, DM25-2012, ACS	<b>MWG</b>	Domestic, Commercial



## MWG Manual Cleaning Filters



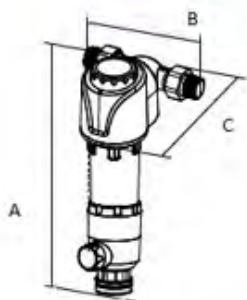
- Made in China;
- Available with and without pressure reducer;
- Suitable for suspended solids removal;
- Unleaded brass head, transparent sump and AISI 316L cartridge;
- Pressure gauge and mounting bracket included, with 3/4" manifold reducer;
- Pressure range 1-10 bar;
- Temperature range 5-40°C;
- Dual screen filter design: 40 micron cut off during service and 90 micron cut off during backwash;
- Flat weave screen, high- efficient cut off;
- The backwash can be activated manually through a knob. The calendar engraved on the ring indicates the last maintenance.

Ref.	Description	Fam.	Subfam.	Disp. Stock
FB933AN	MWG 316L SS MANUAL SELF CLEANING FILTER 1" 400L/H - 1-10 BAR - 40 MICRON	40	110	OK
FB933AR	MWG 316L SS MANUAL SELF CLEANING FILTER 1" PRESSURE CONTROL TYPE 4000 L/H - 1-10 BAR - 40 MICRON	40	110	OK

Ref.	In-Out Connections	Flow $\Delta p=0,2$ bar (l/h)	A (mm)	B (mm)	C (mm)
FB933AN	1" M	4000	287	152	154
FB933AR	1" M	4000	339	168	179

Box: WxLxH	Box: Q.ty	Box: Weight	Pallet: WxLxH	Pallet: Q.ty	Pallet: Weight

Certificates	Manufacturer	Sectors
	<b>MWG</b>	Domestic



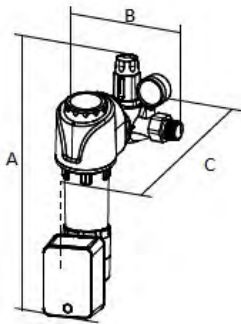


## MWG Self Cleaning Filters



- Made in China;
- Available with and without pressure reducer;
- The touchscreen sets discharge time and frequency of the automatic backwash;
- Suitable for suspended solids removal;
- Unleaded brass head, transparent sump and AISI 316L cartridge;
- Pressure gauge and mounting bracket included, with 3/4" manifold reducer;
- Pressure range 1-10 bar; Temperature range 5-40°C;
- Dual screen filter design: 40 micron cut off during service and 90 micron cut off during backwash;
- Flat weave screen, high- efficient cut off;
- One button controller manages backwash by opening the ball valve automatically. Duration and frequency easily programmable;
- High pressure and speed remove impurities from the filter;
- Filter power adaptor included; AA display batteries not included.

REf.	Description	Fam.	Subfam.	Disp. Stock	
FB933PN	MWG 316L SS AUTOMATIC SELF CLEANING FILTER 1" 4000L/H - 1-10 BAR - 40 MICRON - TOUCH CONTROL	40	110	OK	
FB933PR	MWG 316L SS AUTOM. SELF CLEANING FILTER 1" PRESSURE CONTROL TYPE 4000 L/H - 1-10 BAR - 40 MICRON - TOUCH CONTROL	40	110	OK	



Ref.	In-Out Connections	Flow $\Delta p=0,2$ bar (l/h)	A (mm)	B (mm)	C (mm)
FB933PN	1" M	4000	287	152	195
FB933PR	1" M	4000	339	168	210

Box: WxLxH	Box: Q.ty	Box: Weight	Pallet: WxLxH	Pallet: Q.ty	Pallet: Weight

Certificates	Manufacturer	Sectors
CE	<b>MWG</b>	Domestic



## MD, DD and TD two Pieces Filter Housings IN/OUT connections 1/4" for R.O. Systems



FBMD1002T



FBMD1002W



FBDD1002W



FBTD1002W

- Made in European Union (Italy);
- Suitable for residential R.O. and filtration systems;
- Two pieces filter housings for standard filtering cartridges length 10"
- Total height 325 mm;
- Fixable head (single, double or triplex) in material PP reinforced white colour;
- Sump in PET clear or white, O-ring in EPDM;
- IN/OUT connections 1/4" NPT F;
- With air valve;
- Max operating pressure 8 bar, temperature 4 ÷ 45°C;
- Designed for the following single, double or triple brackets (also ideal for 2 + 1 application), with fixing screws.

Ref	Description	Fam.	Subfam.	Disp. Stock	
FBMD1002T	MWG TWO PIECES FILTER HOUSING 1/4" - L=10" CLEAR BOWL	30	175	OK	
FBMD1002W	MWG TWO PIECES FILTER HOUSING 1/4" - L=10" WHITE BOWL	30	175	OK	
FBDD1002W	MWG TWO PIECES TWO FILTER HOUSING L=10" - 1/4" WHITE BOWL	30	175	OK	
FBTD1002W	MWG TWO PIECES THREE FILTER HOUSING L=10" - 1/4" WHITE BOWL	30	175	OK	

Ref	Cartridge Length (inch)	Head Dimension (mm)
FBMD1002T	Single	122
FBMD1002W	Single	122
FBDD1002W	Duplex	228
FBTD1002W	Triplex	336

Ref	Box: WxLxH.	Box: Q.ty	Box: Weight.	Pallet: WxLxH.	Pallet: Q.ty	Pallet: Weight.
FBMD1002T						
FBMD1002W						
FBDD1002W						
FBTD1002W						

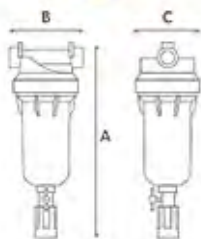
Certificates	Manufacturer	Sectors
DM174-2004 DM25-2012 ACS	<b>MWG</b>	Domestic, Commercial

### Spare Parts and Accessories

Ref	Description	Fam.	Subfam.	Disp. Stock	
FBMDR11	MWG PLASTIC SPANNER FOR FILTER MD	40	106	OK	
FBMDR22	MWG WHITE PLASTIC BRACKET WITH SCREWS FOR MD AND MT FILTER HOUSINGS	30	175	OK	
FBMDR24	MWG WHITE BRACKET WITH SCREWS FOR DD AND DT TWO FILTER HOUSINGS	30	175	OK	
FBMDR26	MWG WHITE BRACKET WITH SCREWS FOR TD AND TT THREEFILTER HOUSINGS	30	175	OK	
FBMDR51	MWG WHITE HEAD FOR MD 1/4" NPT FILTER HOUSING	40	106	NO	
FBMDR71	MWG O-RING FOR HEAD MD FILTER HOUSINGS	40	106	OK	



## MWG Self Cleaning Filters with PP Head



- Made in European Union (Italy);
- Range of sediment self cleaning filters, head in material PP reinforced blue colour, clear PET bowl, EPDM o-ring;
- Without cartridge, to order separately;
- With 2 manometers;
- With plastic wrench (ref. FBMDR11).
- Opening the drain valve, a depression is created inside the sump, that lowers the cartridge and reverts the clearing water flow. Closing the valve, the cartridge rises and places the filter in service again. Repeat the action 4-5 times for about 10 seconds each time;
- Easy cartridge disassembly in case of inspection or replacement;
- Range operating pressure 2 - 8 bar; range temperature 4 ÷ 45° C;
- Max ΔP recommended 1 bar.

Ref	Description	Fam.	Subfam.	Disp. Stock	
FBPA12T	MWG PP SELF CLEANING FILTER HOUSING 1" 1/4 CLEAR BOWL	40	110	OK	
FBPA15T	MWG PP SELF CLEANING FILTER HOUSING 1.5" CLEARBOWL	40	110	OK	

Ref.	In-Out Connections	Flow Δp=0,2 bar (l/h)	A (mm)	B (mm)	C (mm)
FBPA12T	1" 1/4" F	8000	460	120	107
FBPA15T	1,5" F	10000	460	120	107

Box: WxLxH	Box: Q.ty	Box: Weight	Pallet: WxLxH	Pallet: Q.ty	Pallet: Weight

Certificates	Manufacturer	Sectors
DM174-2004	<b>MWG</b>	Domestic, Commercial

## Filtering Cartridges for MWG Self-Cleaning Filter Housings

- Washable special cartridges and suitable for MWG Self-Cleaning Filter Housings in our Catalogue.



COD: FCOA90NA

COD: FCOA50PP

Ref.	Description	Fam.	Subfam.	Disp. Stock	
FCOA50PP	MWG PLASTIC PLEATED CARTRIDGE 50 MICRON FOR SELF CLEANING FILTER	40	105	OK	
FCOA90NA	MWG SS NET CARTRIDGE 90 MICRON FOR SELF CLEANING FILTER	40	105	OK	

Box: WxLxH	Box: Q.ty	Box: Weight	Pallet: WxLxH	Pallet: Q.ty	Pallet: Weight

Certificates	Manufacturer	Sectors
DM174-2004	<b>MWG</b>	Domestic, Commercial

## Accessories

Ref.	Description	Fam.	Subfam.	Disp. Stock	
FBOAR99	MWG AUTOMATION KIT FOR BRASS SELF CLEANING FILTER	40	109	NO	

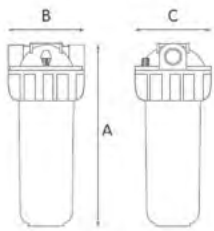
## Spare Parts

Ref.	Description	Fam.	Subfam.	Disp. Stock	
FBMDR11	MWG PLASTIC SPANNER FOR FILTER MD	40	106	OK	
FBOAR77	MWG DRAIN KIT FOR BRASS SELF CLEANING FILTER	40	109	NO	





## MWG Filter Housings for Hot Water



- Made in European Union (Italy);
- Fixable head and bowl in reinforced Nylon grey colour and O-ring in EPDM;
- With air valve;
- Without cartridge, to order separately;
- Suitable for standard DOE filtering cartridges with nominal length 10" or 20";
- Max operating pressure = 8,6 bar; Range temperature 4 - 80°C.
- **NOTE: for 20" models you can't use two 10" cartridges.**

Ref.	Description	Fam.	Subfam.	Disp. Stock	
FBHW1007	MWG HOT WATER FILTER HOUSING 3/4" - L=10"	40	106	NO	
FBHW1010	MWG HOT WATER FILTER HOUSING 1" - L=10"	40	106	NO	
FBHW2007	MWG HOT WATER FILTER HOUSING 3/4" - L=20"	40	106	NO	
FBHW2010	MWG HOT WATER FILTER HOUSING 1" - L=20"	40	106	NO	

Ref.	IN/OUT Connections (inch)	Nominal Length (inch)	A (mm)	B (mm)	C (mm)
FBHW1007	3/4"	10"	315	133	130
FBHW1010	1"	10"	321	145	130
FBHW2007	3/4"	20"	571	133	130
FBHW2010	1"	20"	577	145	130

Ref.	Box: WxLxH	Box: Q.ty	Box: Weight	Pallet: WxLxH	Pallet: Q.ty	Pallet: Weight
FBHW1007						
FBHW1010						
FBHW2007						
FBHW2010						

Certificates	Manufacturer	Sectors
EAC	<b>MWG</b>	Domestic, Commercial

FAAP1050 FAAL1070



## AISI 316 Filtering DOE Cartridges for Hot Water

- Washable and suitable for MWG Hot Water Filter Housings on catalog;
- Dimensions external diameter 70 mm, internal 30 mm;
- Nominal Length 10" ( = 250 mm ) and 20" ( = 505 mm );
- Range temperature 4 - 80°C.

Ref	Description	Fam.	Subfam.	Disp. Stock	
FAAP1050	MWG AISI 316 PLEATED CARTRIDGE 10"-50 MICRON	40	105	OK	
FAAL1070	MWG AISI 316 SMOOTH CARTRIDGE 10"-70 MICRON	40	105	OK	
FAAP2050	MWG AISI 316 PLEATED CARTRIDGE 20" - 50 MICRON	40	105	OK	
FAAL2070	MWG AISI 316 SMOOTH CARTRIDGE L=20"-70 MICRON	40	105	OK	

Box: WxLxH	Box: Q.ty	Box: Weight	Pallet: WxLxH	Pallet: Q.ty	Pallet: Weight

Certificates	Manufacturer	Sectors
DM174-2004 ACS	<b>MWG</b>	Domestic, Commercial, Industrial

## Accessories

Ref.	Description	Fam.	Subfam.	Disp. Stock	
FBMTR11	MWG PLASTIC SPANNER FOR FILTER MT	40	106	OK	
FBMDR21	MWG BLUE PLASTIC BRACKET WITH SCREWS FOR FILTER MDAND MT	40	106	OK	



## MWG Hot Water Stainless Steel Filter Housing



- Made in China;
- Made of 316 L stainless steel, suitable for cartridge dimension from 2,25" to 3" OD;
- In/Out connection 1" BSPP;
- Drain connection 1/4" BSPP;
- Mounting bracket and pin wrench included;
- Max temperature 99°C;
- Max pressure 10 bar;
- Seal material EPDM.

Ref.	Description	Fam.	Subfam.	Disp. Stock	
FBC333	MWG SS 316L FILTER HOUSING OD=3,52" L=10" EPDM 1" F BSPP	40	106	OK	
FBC336	MWG SS 316L FILTER HOUSING OD=3,52" L=20" EPDM 1" F BSPP	40	106	OK	

Ref.	IN/OUT Connections (inch)	Nominal Length (inch)	Diam. (mm)	Footprint (mm)	Height (mm)
FBC333	1" BSPP F	10"	90	124	356
FBC336	1" BSPP F	20"	90	124	610

Ref	Box: WxLxH	Box: Q.ty	Box: Weight	Pallet: WxLxH	Pallet: Q.ty	Pallet: Weight
FBC333						
FBC336						

Certificates	Manufacturer	Sectors
	<b>MWG</b>	Domestic, Commercial

## Filtering Cartridges

### AISI 316 Filtering DOE Cartridges for Hot Water



- Cartridge suitable for MWG stainless steel Hot Water Filter Housings on catalogue;
- Washable pleated cartridge made of woven 316L stainless steel mesh;
- Nominal Length 10" and 20";
- Dimensions external diameter 68 mm (10" length) and external diameter 65 mm (20" length);
- Max temperature 150°C;
- Max operating pressure drop 5 bar;
- EPDM seal.

Ref	Description	Fam.	Subfam.	Disp. Stock	
FAC1005	SS 316L DOE FILTER CARTRIDGE OD=68 L=10" EPDM 20 M	40	105	OK	
FAC1020	SS 316L DOE FILTER CARTRIDGE OD=68 L=10" EPDM 20 MICRON	40	105	OK	
FAC2005	SS 316L DOE FILTER CARTRIDGE OD=65 L=20" EPDM 5 MICRON	40	105	OK	
FAC2020	SS 316L DOE FILTER CARTRIDGE OD=65 L=20" EPDM 20 MICRON	40	105	OK	

Box: WxLxH	Box: Q.ty	Box: Weight	Pallet: WxLxH	Pallet: Q.ty	Pallet: Weight



## Filter Housings Brass Head



- three pieces filter housings;
- head and nut material brass nickel-pleated, sump in SAN clear;
- max operating pressure 8 bar;
- max operating temperature 40° C;
- complete with air valve.

Ref	Description	Fam.	Subfam.	Disp. Stock	
FB060	FILTER HOUSING OTS 34-9	40	109	OK	
FB061	FILTER HOUSING OTS 1-9	40	109	OK	
FB062	FILTER HOUSING OTS 1-20	40	109	OK	
FB063	FILTER HOUSING OTS 114-10	40	109	OK	
FB064	FILTER HOUSING OTS 114-20	40	109	OK	
FB072	FILTER HOUSING OTS 112-10	40	109	OK	
FB065	FILTER HOUSING OTS 112-20	40	109	OK	
FB073	FILTER HOUSING OTS 2-10	40	109	OK	
FB066	FILTER HOUSING OTS 2-20	40	109	OK	

Ref	Connections (inch)	For Cartridge	L (mm)	H (mm)
FB060	¾"	10"	135	330
FB061	1"	10"	135	330
FB062	1"	20"	135	600
FB063	1¼"	10"	150	340
FB064	1¼"	20"	150	620
FB072	1½"	10"	150	340
FB065	1½"	20"	150	620
FB073	2"	10"	162	360
FB066	2"	20"	162	640

Box: WxLxH	Box: Q.ty	Box: Weight	Pallet: WxLxH	Pallet: Q.ty	Pallet: Weight

Certificates	Manufacturer	Sectors
		Domestic, Commercial

## Accessories Wrench

- galvanised steel material.



Ref	Description	Fam.	Subfam.	Disp. Stock	
FB069	SPANNER FOR FILTER OTS	40	105	OK	

Box: WxLxH	Box: Q.ty	Box: Weight	Pallet: WxLxH	Pallet: Q.ty	Pallet: Weight

## Spare parts

Ref	Description	Fam.	Subfam.	Disp. Stock	
FB070	BOWL SAN OTS 10" W/O-RING	40	112	OK	
FB071	BOWL SAN OTS 20" W/O-RING	40	112	OK	
FB074	O-RING BOWL FOR OTS 9 3/4" - 10" - 20"	40	106	OK	





## AISI 316L Filter Housings



- Made in the European Union (Italy);
- Multicartridges filter housings flanged top opening AISI 316L for 3 cartridges, support legs, In/Out connections 2" BSP M or DN50 flange;
- Two ½" BSP connections for air valve pressure gauge and for drain filter;
- High resistance and strength electrowelded construction, complete with AISI 316L fixing cartridges accessories, glass blasted internal and outside treatment;
- European 2014/68/EU Directive compliant for pressure equipment (PED);
- Max operating pressure @ 40°C = 8 bar; Max operating pressure @ 80°C = 2 bar;
- Hydraulic test pressure = 12 bar;
- Max operating temperature 80 °C;
- Gasket material EPDM;
- Suitable for DOE cartridges;
- Cartridges dimensions: ID min/max 26÷30 mm, OD max 65 mm and length 20"- 30"- 40"
- **WARNING!** For these housings the suitable Carbon Block cartridges are FA018 and FA019.
- The FA013 and FA014 cartridges of our catalogue are not suitable for these housings.

Ref	Description	Fam.	Subfam.	Disp. Stock	
FB040	FILTER HOUSING MOD. CFH 3X20" AISI 316L-2" M	40	108	OK	
FB040A	FILTER HOUSING MOD. CFH 3X20" AISI 316L-DN 50	40	108	OK	

Ref	In/Out Connections	A (mm)	Weight (kg)
FB040	2" BSP M	1200	20
FB040A	DN50 Flange	1200	22

Box: WxLxH	Box: Q.ty	Box: Weight	Pallet: WxLxH	Pallet: Q.ty	Pallet: Weight

Ref	Description	Fam.	Subfam.	Disp. Stock	
FB041	FILTER HOUSING MOD. CFH 3X30" AISI 316L-2" M	40	108	OK	
FB041A	FILTER HOUSING MOD. CFH 3X30" AISI 316L-DN 50	40	108	OK	

Ref	In/Out Connections	A (mm)	Weight (kg)
FB041	2" BSP M	1500	21
FB041A	DN50 Flange	1500	23

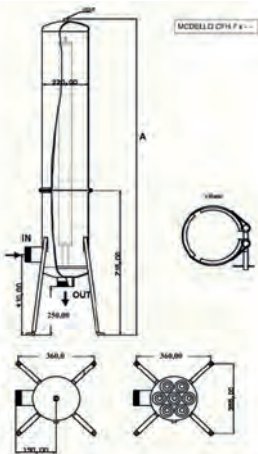
Box: WxLxH	Box: Q.ty	Box: Weight	Pallet: WxLxH	Pallet: Q.ty	Pallet: Weight

Ref	Description	Fam.	Subfam.	Disp. Stock	
FB041/1	FILTER HOUSING MOD. CFH 3X40" AISI 316L-2" M	40	108	OK	
FB041/1A	FILTER HOUSING MOD. CFH 3X40" AISI 316L-DN 50	40	108	OK	

Ref	In/Out Connections	A (mm)	Weight (kg)
FB041/1	2" BSP M	1600	22
FB041/1A	DN50 Flange	1600	24

Box: WxLxH	Box: Q.ty	Box: Weight	Pallet: WxLxH	Pallet: Q.ty	Pallet: Weight

Certificates	Manufacturer	Sectors
DM174-2004 CE		Industrial





## AISI 316L Filter Housings

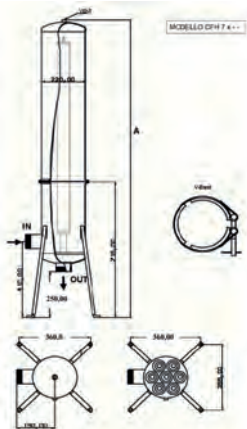


- Made in the European Union (Italy);
- Multicartridges filter housings flanged top opening AISI 316L for 7 cartridges, support legs, In/Out connections 2 ½" BSP M or DN65 flange;
- Two ½" BSP connections for air valve pressure gauge and for drain filter;
- High resistance and strength electrowelded construction, complete with AISI 316L fixing cartridges accessories, glass blasted internal and outside treatment;
- European 2014/68/EU Directive compliant for pressure equipment (PED);
- Max operating pressure @ 40°C = 8 bar; Max operating pressure @ 80°C = 2 bar;
- Hydraulic test pressure = 12 bar;
- Max operating temperature 80 °C;
- Gasket material EPDM;
- Suitable for DOE cartridges;
- Cartridges dimensions: ID min/max 26÷30 mm, OD max 65 mm and length 20"- 30"- 40".
- **WARNING!** For these housings the suitable Carbon Block cartridges are FA018 and FA019.
- The FA013 and FA014 cartridges of our catalogue are not suitable for these housings.

Ref	Description	Fam.	Subfam.	Disp. Stock	
FB042	FILTER HOUSING MOD. CFH 7X20" AISI 316L-2,1/2" M	40	108	OK	
FB042A	FILTER HOUSING MOD. CFH 7X20" AISI 316L-DN 65	40	108	OK	

Ref	In/Out Connections	A (mm)	Weight (kg)
FB042	2½" BSP M	1190	27
FB042A	DN65 Flange	1190	30

Box: WxLxH	Box: Q.ty	Box: Weight	Pallet: WxLxH	Pallet: Q.ty	Pallet: Weight



Ref	Description	Fam.	Subfam.	Disp. Stock	
FB043	FILTER HOUSING MOD. CFH 7X30" AISI 316L-2,1/2" M	40	108	OK	
FB043A	FILTER HOUSING MOD. CFH 7X30" AISI 316L-DN 65	40	108	OK	

Ref	In/Out Connections	A (mm)	Weight (kg)
FB043	2½" BSP M	1495	29
FB043A	DN65 Flange	1495	32

Box: WxLxH	Box: Q.ty	Box: Weight	Pallet: WxLxH	Pallet: Q.ty	Pallet: Weight

Ref	Description	Fam.	Subfam.	Disp. Stock	
FB044	FILTER HOUSING MOD. CFH 7X40" AISI 316L-2,1/2" M	40	108	OK	
FB044A	FILTER HOUSING MOD. CFH 7X40" AISI 316L-DN 65	40	108	OK	

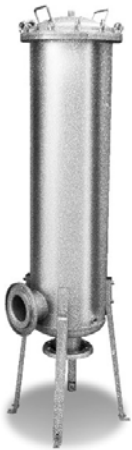
Ref	In/Out Connections	A (mm)	Weight (kg)
FB044	2½" BSP M	1610	34
FB044A	DN65 Flange	1610	37

Box: WxLxH	Box: Q.ty	Box: Weight	Pallet: WxLxH	Pallet: Q.ty	Pallet: Weight

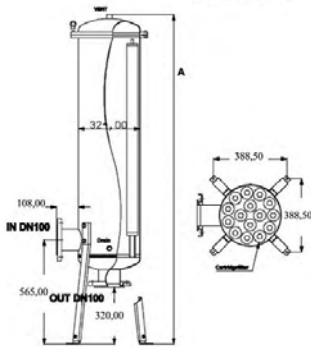
Certificates	Manufacturer	Sectors
DM174-2004 CE		Industrial



## AISI 316L Filter Housings



MODELLO GFH 15 x --



- Made in the European Union (Italy);
- Multicartridges filter housings flanged top opening AISI 316L for 15 cartridges, support legs, In/Out connections DN100;
- Two ½" BSP connections for air valve pressure gauge and for drain filter;
- High resistance and strength electrowelded construction, complete with AISI 316L fixing cartridges accessories, glass blasted internal and outside treatment;
- European 2014/68/EU Directive compliant for pressure equipment (PED);
- Max operating pressure @ 40°C = 8 bar; Max operating pressure @ 80°C = 2 bar;
- Hydraulic test pressure = 12 bar;
- Max operating temperature 80 °C;
- Gasket material EPDM;
- Suitable for DOE cartridges;
- Cartridges dimensions: ID min/max 26÷30 mm, OD max 65 mm and length 30"- 40".
- **WARNING!** For these housings the suitable Carbon Block cartridges are FA018 and FA019.
- The FA013 and FA014 cartridges of our catalogue are not suitable for these housings.

Ref	Description	Fam.	Subfam.	Disp. Stock	
FB046	FILTER HOUSING MOD. CFH 15X40" AISI 316L-DN 100	40	108	OK	

Ref	Description	A (mm)	Weight (kg)
FB046	FILTER HOUSING MOD. CFH 15X40" AISI 316L-DN 100	1750	80

Box: WxLxH	Box: Q.ty	Box: Weight	Pallet: WxLxH	Pallet: Q.ty	Pallet: Weight

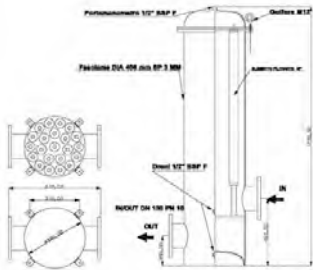
Certificates	Manufacturer	Sectors
DM174-2004 CE		Industrial



## AISI 316L Filter Housings



MODELLO CFB 22 v.01



- Made in the European Union (Italy);
- Multicartridges filter housings flanged top opening AISI 316L for 22 cartridges, In/Out connections DN150;
- Three 1/2" BSP connections for air valve pressure gauge and for drain filter;
- High resistance and strength electrowelded construction, complete with AISI 316L fixing cartridges accessories, glass blasted internal and outside treatment;
- European 2014/68/EU Directive compliant for pressure equipment (PED);
- Max operating pressure @ 40°C = 8 bar; Max operating pressure @ 80°C = 2 bar;
- Hydraulic test pressure = 12 bar;
- Max operating temperature 80 °C;
- Gasket material EPDM;
- Suitable for DOE cartridges;
- Cartridges dimensions: ID min/max 26÷30 mm, OD max 65 mm and length 40".
- **WARNING!** For these housings the suitable Carbon Block cartridges are FA018 and FA019.
- The FA013 and FA014 cartridges of our catalogue are not suitable for these housings.

Ref	Description	Fam.	Subfam.	Disp. Stock	
FB046/1	FILTER HOUSING MOD. CFH 2X40" AISI 316L-DN 150	40	108	OK	

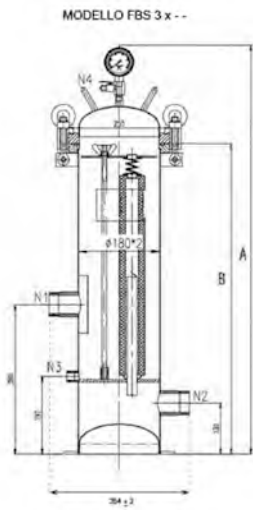
Ref	Description	Weight (kg)
FB046/1	FILTER HOUSING MOD. CFH 2X40" AISI 316L-DN 150	138

Box: WxLxH	Box: Q.ty	Box: Weight	Pallet: WxLxH	Pallet: Q.ty	Pallet: Weight

Certificates	Manufacturer	Sectors
DM174-2004 CE		Industrial



## MWG AISI 316L Filter Housings

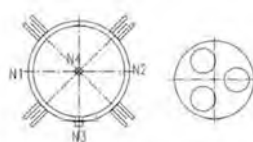


- Made in China;
- Multicartridges filter housings flanged top opening AISI 316L for 3 cartridges, In/Out connections 2" BSP M;
- 1/2" BSP F connection for drain filter;
- 1/4" BSP F connection for air valve pressure gauge;
- High resistance and strength electrowelded construction, complete with AISI 316 fixing cartridges accessories, mechanical polishing outside treatment;
- European 2014/68/EU Directive compliant for pressure equipment (PED);
- Max pressure @ 20°C = 10 bar; Max pressure @ 40°C = 9 bar; Max pressure @ 80°C = 8 bar;
- Hydraulic test pressure = 12 bar; Max temperature 80 °C;
- Gasket material EPDM (option in Viton not included, to order separately);
- Suitable for DOE cartridges;
- Cartridges dimensions: ID min/max 28÷30 mm, OD max 65 mm and length 20"-30"-40".
- **WARNING!** For these housings the suitable Carbon Block cartridges are FA018 and FA019.
- The FA013 and FA014 cartridges of our catalogue are not suitable for these housings.

Ref	Description	Fam.	Subfam.	Disp. Stock	
FBS0320	MWG FILTER HOUSING FBS 3x20" AISI 316L 2" BSP M	40	115	OK	

Ref	In/Out Connections	A (mm)	B (mm)
FBS0320	2" BSP M	1038	788

Box: WxLxH	Box: Q.ty	Box: Weight	Pallet: WxLxH	Pallet: Q.ty	Pallet: Weight



N1	Inlet	2" BSP Male
N2	Outlet	2" BSP Male
N3	Drain	1/2" Female
N4	Pressure Gauge/Vent	1/4" Female

Ref	Description	Fam.	Subfam.	Disp. Stock	
FBS0330	MWG FILTER HOUSING FBS 3x30" AISI 316L 2" BSP M	40	115	OK	

Ref	In/Out Connections	A (mm)	B (mm)
FBS0330	2" BSP M	1292	1042

Box: WxLxH	Box: Q.ty	Box: Weight	Pallet: WxLxH	Pallet: Q.ty	Pallet: Weight

Ref	Description	Fam.	Subfam.	Disp. Stock	
FBS0340	MWG FILTER HOUSING FBS 3x40" AISI 316L 2" BSP M	40	115	OK	

Ref	In/Out Connections	A (mm)	B (mm)
FBS0340	2" BSP M	1546	1296

Box: WxLxH	Box: Q.ty	Box: Weight	Pallet: WxLxH	Pallet: Q.ty	Pallet: Weight

Certificates	Manufacturer	Sectors
DM174-2004 CE	<b>MWG</b>	Industrial

### Spare parts

Ref	Description	Fam.	Subfam.	Disp. Stock	
FBSR01	EPDM CLOSURE O-RING EPDM MWG FILTER MOD. FBS 3 ELEM.	40	115	NO	
FBSR13	SPRING IN AISI FOR MWG FILTERS FBS MODEL	40	115	OK	



## MWG AISI 316L Filter Housings



- Made in China;
- Multicartridges filter housings flanged top opening AISI 316L for 5 cartridges, In/Out connections 2" BSP M;
- ½" BSP F connection for drain filter;
- ¼" BSP F connection for air valve pressure gauge;
- High resistance and strength electrowelded construction, complete with AISI 316 fixing cartridges accessories, mechanical polishing outside treatment;
- European 2014/68/EU Directive compliant for pressure equipment (PED);
- Max pressure @ 20°C = 10 bar; Max pressure @ 40°C = 9 bar; Max pressure @ 80°C = 8 bar;
- Hydraulic test pressure = 12 bar; Max temperature 80 °C;
- Gasket material EPDM (option in Viton not included, to order separately);
- Suitable for DOE cartridges;
- Cartridges dimensions: ID min/max 28÷30 mm, OD max 65 mm and length 20"- 30"- 40".
- **WARNING!** For these housings the suitable Carbon Block cartridges are FA018 and FA019.
- The FA013 and FA014 cartridges of our catalogue are not suitable for these housings.

Ref	Description	Fam.	Subfam.	Disp. Stock
FBS0520	MWG FILTER HOUSING FBS 5x20" AISI 316L 2" BSP M	40	115	OK

Ref	In/Out Connections	A (mm)	B (mm)
FBS0520	2" BSP M	1045	788

Box: WxLxH	Box: Q.ty	Box: Weight	Pallet: WxLxH	Pallet: Q.ty	Pallet: Weight

Ref	Description	Fam.	Subfam.	Disp. Stock
FBS0530	MWG FILTER HOUSING FBS 5x30" AISI 316L 2" BSP M	40	115	OK

Ref	In/Out Connections	A (mm)	B (mm)
FBS0530	2" BSP M	1042	1299

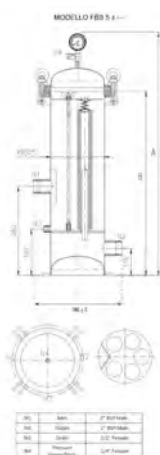
Box: WxLxH	Box: Q.ty	Box: Weight	Pallet: WxLxH	Pallet: Q.ty	Pallet: Weight

Ref	Description	Fam.	Subfam.	Disp. Stock
FBS0540	MWG FILTER HOUSING FBS 5x40" AISI 316L 2" BSP M	40	115	OK

Ref	In/Out Connections	A (mm)	B (mm)
FBS0540	2" BSP M	1553	1296

Box: WxLxH	Box: Q.ty	Box: Weight	Pallet: WxLxH	Pallet: Q.ty	Pallet: Weight

Certificates	Manufacturer	Sectors
DM174-2004 CE	MWG	Industrial

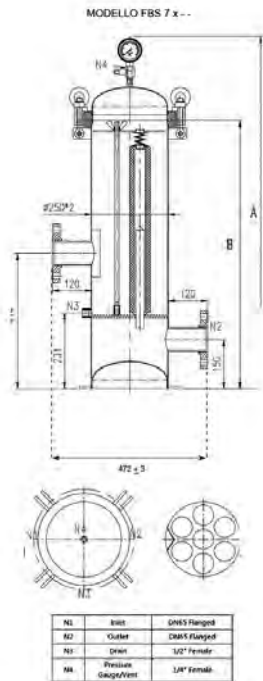


### Spare parts

Ref	Description	Fam.	Subfam.	Disp. Stock
FBSR02	EPDM CLOSURE O-RING EPDM MWG FILTER MOD. FBS 5 ELEM.	40	115	NO
FBSR13	SPRING IN AISI FOR MWG FILTERS FBS MODEL	40	115	OK



## MWG AISI 316L Filter Housings



- Made in China;
- Multicartridges filter housings flanged top opening AISI 316L for 7 cartridges, In/Out connections flanged 2,5" (DN65) ASME B16.5 CLASS 150;
- ½" BSP F connection for drain filter;
- ¼" BSP F connection for air valve pressure gauge;
- High resistance and strength electrowelded construction, complete with AISI 316 fixing cartridges accessories, mechanical polishing outside treatment;
- European 2014/68/EU Directive compliant for pressure equipment (PED);
- Max pressure @ 20°C = 10 bar; Max pressure @ 40°C = 9 bar; Max pressure @ 80°C = 8 bar;
- Hydraulic test pressure = 12 bar;
- Max temperature 80 °C;
- Gasket material EPDM (option in Viton not included, to order separately);
- Suitable for DOE cartridges;
- Cartridges dimensions: ID min/max 28÷30 mm, OD max 65 mm and length 20"- 30"- 40".
- **WARNING!** For these housings the suitable Carbon Block cartridges are FA018 and FA019.
- The FA013 and FA014 cartridges of our catalogue are not suitable for these housings.

Ref	Description	Fam.	Subfam.	Disp. Stock	
FBS0720FL	MWG FILTER HOUSING FBS 7x20" AISI 316L FLANG 2.5"ASME B16.5 CLAS150	40	115	OK	

Ref	In/Out Connections	A (mm)	B (mm)
FBS0720FL	2,5" Flanged	1079	822

Box: WxLxH	Box: Q.ty	Box: Weight	Pallet: WxLxH	Pallet: Q.ty	Pallet: Weight

Ref	Description	Fam.	Subfam.	Disp. Stock	
FBS0730FL	MWG FILTER HOUSING FBS 7x30" AISI 316L FLANG 2.5"ASME B16.5 CLAS150	40	115	OK	

Ref	In/Out Connections	A (mm)	B (mm)
FBS0730FL	2,5" Flanged	1076	1333

Box: WxLxH	Box: Q.ty	Box: Weight	Pallet: WxLxH	Pallet: Q.ty	Pallet: Weight

Ref	Description	Fam.	Subfam.	Disp. Stock	
FBS0740FL	MWG FILTER HOUSING FBS 7x40" AISI 316L FLANG 2.5"ASME B16.5 CLAS150	40	115	OK	

Ref	In/Out Connections	A (mm)	B (mm)
FBS0740FL	2,5" Flanged	1330	1587

Box: WxLxH	Box: Q.ty	Box: Weight	Pallet: WxLxH	Pallet: Q.ty	Pallet: Weight

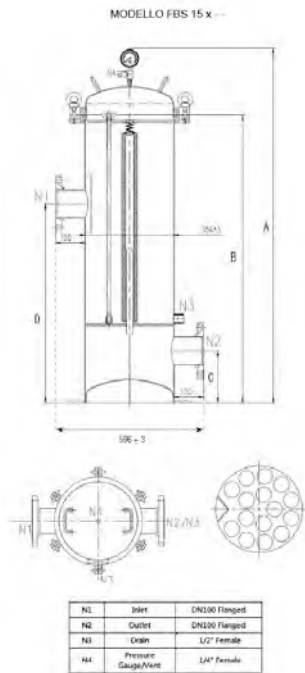
Certificates	Manufacturer	Sectors
DM174-2004 CE	<b>MWG</b>	Industrial

### Spare parts

Ref	Description	Fam.	Subfam.	Disp. Stock	
FBSR03	EPDM CLOSURE O-RING EPDM MWG FILTER MOD. FBS 7 ELEM	40	115	OK	
FBSR13	SPRING IN AISI FOR MWG FILTERS FBS MODEL	40	115	OK	



## MWG AISI 316L Filter Housings



- Made in China;
- Multicartridges filter housings flanged top opening AISI 316L for 15 cartridges, In/Out connections flanged 4" (DN100) ASME B16.5 CLASS 150;
- 1/2" BSP F connection for drain filter;
- 1/4" BSP F connection for air valve pressure gauge;
- High resistance and strength electrowelded construction, complete with AISI 316 fixing cartridges accessories, mechanical polishing outside treatment;
- European 2014/68/EU Directive compliant for pressure equipment (PED);
- Max pressure @ 20°C = 10 bar; Max pressure @ 40°C = 9 bar; Max pressure @ 80°C = 8 bar;
- Hydraulic test pressure = 12 bar;
- Max temperature 80 °C;
- Gasket material EPDM (option in Viton not included, to order separately);
- Suitable for DOE cartridges;
- Cartridges dimensions: ID min/max 28÷30 mm, OD max 65 mm and length 30"- 40".
- **WARNING!** For these housings the suitable Carbon Block cartridges are FA018 and FA019.
- The FA013 and FA014 cartridges of our catalogue are not suitable for these housings.

Ref	Description	Fam.	Subfam.	Disp. Stock	
FBS1530FL	MWG FILTER HOUSING FBS 15x30" AISI 316L FLANG 4"ASME B16.5 CLAS150	40	115	OK	
FBS1540FL	MWG FILTER HOUSING FBS 15x40" AISI 316L FLANG 4"ASME B16.5 CLAS150	40	115	OK	

Ref	A (mm)	B (mm)	C (mm)	D (mm)
FBS1530FL	1437	1166	211	806
FBS1540FL	1661	1390	181	1030

Box: WxLxH	Box: Q.ty	Box: Weight	Pallet: WxLxH	Pallet: Q.ty	Pallet: Weight

Certificates	Manufacturer	Sectors
DM174-2004 CE	<b>MWG</b>	Industrial

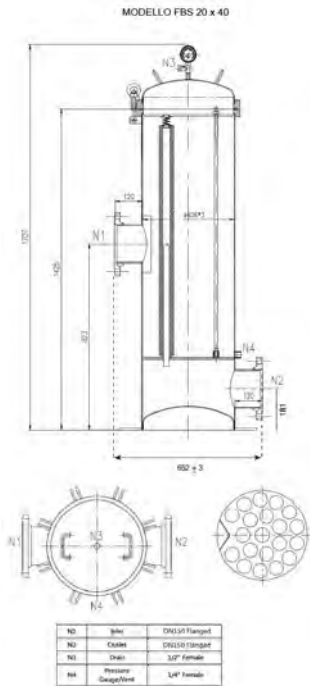
### Spare parts

Ref	Description	Fam.	Subfam.	Disp. Stock	
FBSR05	EPDM CLOSURE O-RING EPDM MWG FILTER MOD. FBS 15 ELEM	40	115	NO	
FBSR13	SPRING IN AISI FOR MWG FILTERS FBS MODEL	40	115	OK	





## MWG AISI 316L Filter Housings



- Made in China;
- Multicartridges filter housings flanged top opening AISI 316L for 20 cartridges, In/Out connections flanged 6" (DN150) ASME B16.5 CLASS 150;
- 1/2" BSP F connection for drain filter;
- 1/4" BSP F connection for air valve pressure gauge;
- High resistance and strength electrowelded construction, complete with AISI 316 fixing cartridges accessories, mechanical polishing outside treatment;
- European 2014/68/EU Directive compliant for pressure equipment (PED);
- Max pressure @ 20°C = 10 bar; Max pressure @ 40°C = 9 bar; Max pressure @ 80°C = 8 bar;
- Hydraulic test pressure = 12 bar;
- Max temperature 80 °C;
- Gasket material EPDM (option in Viton not included, to order separately);
- Suitable for DOE cartridges;
- Cartridges dimensions: ID min/max 28÷30 mm, OD max 65 mm and length 40".
- **WARNING!** For these housings the suitable Carbon Block cartridges are FA018 and FA019.
- The FA013 and FA014 cartridges of our catalogue are not suitable for these housings.

Ref	Description	Fam.	Subfam.	Disp. Stock	
FBS2040FL	MWG FILTER HOUSING FBS 20X40" AISI 316L FLANG 6"ASME B16.5 CLAS150	40	115	OK	

Box: WxLxH	Box: Q.ty	Box: Weight	Pallet: WxLxH	Pallet: Q.ty	Pallet: Weight

Certificates	Manufacturer	Sectors
DM174-2004 CE	<b>MWG</b>	Industrial

### Spare parts

Ref	Description	Fam.	Subfam.	Disp. Stock	
FBSR07	EPDM CLOSURE O-RING EPDM MWG FILTER MOD. FBS 20 ELEM	40	115	NO	
FBSR13	SPRING IN AISI FOR MWG FILTERS FBS MODEL	40	115	OK	



## Chemical High Resistance PVC-U Multicartridges Filter Housings HPCF Series



- PVC-U multicartridges filter housings for 5 cartridges flanged top opening, with three pieces In/Out female socket weld connections, two 1/4" threaded connections for air valve pressure gauges and for drain filter;
- All filter housing internal material and all internal spare parts are in PVC-U for high chemical corrosion resistance;
- Opening gasket and manifold gaskets in EPDM;
- With aeration valve and pressure gauge;
- European 2014/68/EU Directive compliant for pressure equipment (PED);
- Design pressure = 6,0 bar @ 25°C;
- Hydraulic test pressure = 7,8 bar;
- Max Δp = 1,4 bar;
- Operating temperature = 5 ÷ 40 °C;
- In/Out connections DN50 / D. 63 mm;
- Suggested bolt tightening torque 6-8 Nm;
- Suitable for DOE cartridges;
- Cartridges dimensions: ID 28÷30 mm, OD 65 mm and length 20"- 30"- 40".
- **WARNING!** The FA013 and FA014 cartridges of our catalogue are not suitable for these housings.

Ref	Description	Fam.	Subfam.	Disp. Stock
FB560	MWG MULTICARTRIDGE PVC-U FILTER HOUSING HPCF/B-5DC2 D.63 MM	40	108	OK

Ref	Cartridges Number	Weight (kg)	Capacity (Liters)	Nominal Flow Rate (lpm)
FB560	n.5 2,5" x 20"	11,0	20,6	300

Box: WxLxH	Box: Q.ty	Box: Weight	Pallet: WxLxH	Pallet: Q.ty	Pallet: Weight

Ref	A	C	D	E	I	K	L	M	N1 N2	N3
FB560	75	715	225	540	10	187,5	186	290	63	G 1/4"
FB561	75	965	225	540	10	187,5	186	290	63	G 1/4"
FB562	75	1215	225	540	10	187,5	186	290	63	G 1/4"

Ref	Description	Fam.	Subfam.	Disp. Stock
FB561	MWG MULTICARTRIDGE PVC-U FILTER HOUSING HPCF/B-5DC3 D.63 MM	40	108	OK

Ref	Cartridges Number	Weight (kg)	Capacity (Liters)	Nominal Flow Rate (lpm)
FB561	n.5 2,5" x 30"	12,7	29,4	300

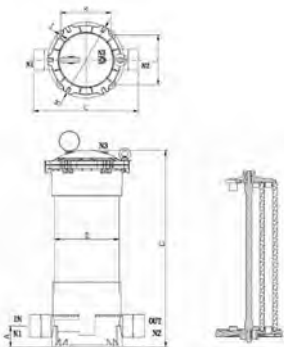
Box: WxLxH	Box: Q.ty	Box: Weight	Pallet: WxLxH	Pallet: Q.ty	Pallet: Weight

Ref	Description	Fam.	Subfam.	Disp. Stock
FB562	MWG MULTICARTRIDGE PVC-U FILTER HOUSING HPCF/B-5DC4 D.63 MM	40	108	OK

Ref	Cartridges Number	Weight (kg)	Capacity (Liters)	Nominal Flow Rate (lpm)
FB562	n.5 2,5" x 40"	14,4	38,2	300

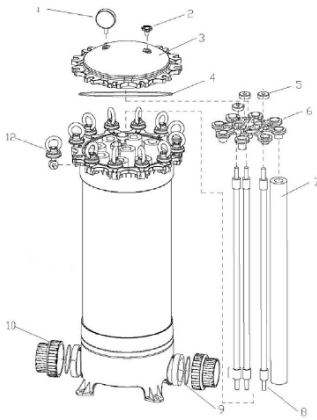
Box: WxLxH	Box: Q.ty	Box: Weight	Pallet: WxLxH	Pallet: Q.ty	Pallet: Weight

Certificates	Manufacturer	Sectors
CE	<b>MWG</b>	Industrial





## Chemical High Resistance PVC-U Multicartridges Filter Housings HPCF Series



### Spare Parts

Ref	Description	Fam.	Subfam.	Disp. Stock	
FB366	MWG PURGE CAP	40	107	OK	
FB367	MWG MANOMETER 0-7 BAR 1/4"	40	107	OK	
FB580	MWG FLANGED TOP COVER 225 HPCF/PF/HXP + PURGE CAP+ O-RING	40	108	OK	
FB363	MWG EPDM CLOSURE O-RING HPCF-PF-HXP 225	40	107	OK	
FB574	MWG CLOSURE CARTRIDGE NUT	40	108	OK	
FB578	MWG 5DC CARTRIDGE FIXING STAR	40	108	OK	
	Cartridges (not included)				
FB577	40" ROD	40	108	OK	
FB371	MWG T GASKET D.63 FOR HPCF FILTER	40	107	OK	
FB572	MWG SINGOL MANIFOLD KIT D. 63 MM W/O-RING	40	108	OK	
FB364	MWG AISI BOLT KIT M10	40	107	OK	
FB584	MWG KIT DRAIN LINE 1" BSPT M + D.20 TO GLUE HPCF 9	40	108	OK	

Item	Ref	Description	Q.TY	Material
2	FB366	MWG PURGE CAP	1	
1	FB367	MWG MANOMETER 0-7 BAR 1/4"	1	
2+3+4	FB580	MWG FLANGED TOP COVER 225 HPCF/PF/HXP + PURGE CAP+ O-RING	1	
4	FB363	MWG EPDM CLOSURE O-RING HPCF-PF-HXP 225	1	EPDM
5	FB574	MWG CLOSURE CARTRIDGE NUT	3	
6	FB578	MWG 5DC CARTRIDGE FIXING STAR	1	
7		Cartridges (not included)		
8	FB577	40" ROD	1	
10	FB371	MWG T GASKET D.63 FOR HPCF FILTER	2	
9+10	FB572	MWG SINGOL MANIFOLD KIT D. 63 MM W/O-RING	2	
11	FB364	MWG AISI BOLT KIT M10	6	AISI
Not shown	FB584	MWG KIT DRAIN LINE 1" BSPT M + D.20 TO GLUE HPCF 9	1	



## Chemical High Resistance PVC-U Multicartridges Filter Housings HPCF Series



- PVC-U multicartridges filter housings for 9 cartridges flanged top opening, with three pieces In/Out female socket weld connections, two 1/4" threaded connections for air valve pressure gauges and for drain filter;
- All filter housing internal material and all internal spare parts are in PVC-U for high chemical corrosion resistance;
- Opening gasket and manifold gasket in EPDM;
- With aeration valve and pressure gauge;
- European 2014/68/EU Directive compliant for pressure equipment (PED);
- Design pressure = 6,0 bar @ 25°C;
- Hydraulic test pressure = 7,8 bar;
- Max Δp = 1,4 bar;
- Operating temperature = 5 ÷ 40 °C;
- In/Out connections DN80 / D. 90 mm;
- Suggested bolt tightening torque 6-8 Nm;
- 1" BSPT M (+ F 20 mm to glue) drain connection;
- Suitable for DOE cartridges;
- Cartridges dimensions: ID 28±30 mm, OD 65 mm and length 20"- 30"- 40".
- **WARNING!** The FA013 and FA014 cartridges of our catalogue are not suitable for these housings.

Ref	Description	Fam.	Subfam.	Disp. Stock
FB564	MWG MULTICARTRIDGE PVC-U FILTER HOUSING HPCF/B-9DC2 D.90 MM	40	108	OK

Ref	Cartridges Number	Weight (kg)	Capacity (Liters)	Nominal Flow Rate (lpm)
FB564	n.9 2,5" x 20"	20,0	39,7	250

Box: WxLxH	Box: Q.ty	Box: Weight	Pallet: WxLxH	Pallet: Q.ty	Pallet: Weight

Ref	A	C	D	E	I	J	K	L	M	N1 N2	N3	N4
FB564	69	765	315	520	9	15	276	249	372	90	G 1/4"	1"
FB565	69	1015	315	520	9	15	276	249	372	90	G 1/4"	1"
FB566	69	1265	315	520	9	15	276	249	372	90	G 1/4"	1"



Ref	Description	Fam.	Subfam.	Disp. Stock
FB565	MWG MULTICARTRIDGE PVC-U FILTER HOUSING HPCF/B-9DC3 D.90 MM	40	108	OK

Ref	Cartridges Number	Weight (kg)	Capacity (Liters)	Nominal Flow Rate (lpm)
FB565	n.9 2,5" x 30"	23,0	57,0	350

Box: WxLxH	Box: Q.ty	Box: Weight	Pallet: WxLxH	Pallet: Q.ty	Pallet: Weight

Ref	Description	Fam.	Subfam.	Disp. Stock
FB566	MWG MULTICARTRIDGE PVC-U FILTER HOUSING HPCF/B-9DC4 D.90 MM	40	108	OK

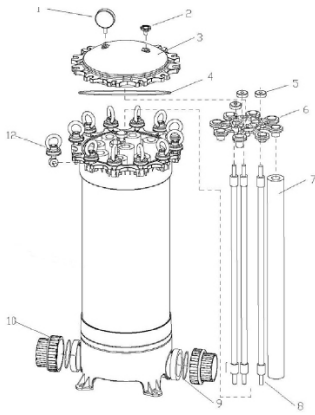
Ref	Cartridges Number	Weight (kg)	Capacity (Liters)	Nominal Flow Rate (lpm)
FB566	n.9 2,5" x 40"	26,0	74,3	550

Box: WxLxH	Box: Q.ty	Box: Weight	Pallet: WxLxH	Pallet: Q.ty	Pallet: Weight

Certificates	Manufacturer	Sectors
CE	MWG	Industrial



## Chemical High Resistance PVC-U Multicartridges Filter Housings HPCF Series



### Spare Part

Ref	Description	Fam.	Subfam.	Disp. Stock	
FB367	MWG MANOMETER 0-7 BAR 1/4"	40	107	OK	
FB366	MWG PURGE CAP	40	107	OK	
FB581	MWG FLANGED TOP COVER 325 HPCF + PURGE CAP + O-RING	40	108	OK	
FB571	MWG EPDM CLOSURE O-RING HPCF 315	40	108	OK	
FB574	MWG CLOSURE CARTRIDGE NUT	40	108	OK	
FB579	MWG 9DC CARTRIDGE FIXING STAR	40	108	OK	
	Cartridge (not included)				
FB577	40" ROD	40	108	OK	
FB583	MWG T GASKET D.90 FOR HPCF FILTER	40	108	OK	
FB573	MWG SINGOL MANIFOLD KIT D. 90 MM W/O-RING	40	108	OK	
FB582	MWG AISI BOLT KIT M12	40	108	OK	
FB584	MWG KIT DRAIN LINE 1" BSPT M + D.20 TO GLUE HPCF 9	40	108	OK	

Item	Ref	Description	Q.TY	Material
1	FB367	MWG MANOMETER 0-7 BAR 1/4"	1	
2	FB366	MWG PURGE CAP	1	
2+3+4	FB581	MWG FLANGED TOP COVER 325 HPCF + PURGE CAP + O-RING	1	
4	FB571	MWG EPDM CLOSURE O-RING HPCF 315	1	EPDM
5	FB574	MWG CLOSURE CARTRIDGE NUT	3	
6	FB579	MWG 9DC CARTRIDGE FIXING STAR	1	
7		Cartridge (not included)		
8	FB577	40" ROD	3	
9	FB583	MWG T GASKET D.90 FOR HPCF FILTER	3	
9+10	FB573	MWG SINGOL MANIFOLD KIT D. 90 MM W/O-RING	2	
12	FB582	MWG AISI BOLT KIT M12	12	AISI
Not shown	FB584	MWG KIT DRAIN LINE 1" BSPT M + D.20 TO GLUE HPCF 9	1	



## High Flow PP Single Cartridge Filter Housings PF Series

- PP single cartridge filter housings, with flanged top opening, In/Out DN50 connections with 1/4" thread for air valve pressure gauges and for drain filter;
- all filter housing internal material and all internal spare parts are in PP for top chemical corrosion resistance;
- opening gasket and manifold gaskets in EPDM;
- with aeration valve and pressure gauge;
- European 2014/68/EU Directive compliant for pressure equipment (PED);
- design pressure = 8,0 bar @ 25°C;
- max  $\Delta p$  = 1,4 bar;
- operating temperature = 5 ÷ 65 °C;
- Suggested bolt tightening torque 6-8 Nm;
- suitable for high flow "special pleated cartridges";
- cartridges dimensions: 6" x 20" and 6" x 40".

Ref.	Description	Fam.	Subfam.	Disp. Stock	
FB360PP	MWG SINGLE CARTRIDGE PP FILTER HOUSING PF20 DN50	40	107	OK	
FB361PP	MWG SINGLE CARTRIDGE PP FILTER HOUSING PF40 DN50	40	107	OK	

Ref.	Cartridge Type	Weight (kg)	Capacity (Liters)	Nominal Flow Rate (lpm)
FB360PP	6" x 20"	12	25	300
FB361PP	7" x 20"	15	41	300

Box: WxLxH	Box: Q.ty	Box: Weight	Pallet: WxLxH	Pallet: Q.ty	Pallet: Weight

Certificates	Manufacturer	Sectors
CE	<b>MWG</b>	Industrial





## High Flow PVC-U Single Cartridge Filter Housings PF Series



- PVC-U single cartridge filter housings, with flanged top opening, support legs, In/Out female socket weld connections and two 1/4" threaded connections for air valve pressure gauges and for drain filter;
- all filter housing internal material and all internal spare parts are in PVC-U for high chemical corrosion resistance;
- opening gasket and manifold gaskets in EPDM;
- with aeration valve and pressure gauge;
- European 2014/68/EU Directive compliant for pressure equipment (PED);
- design pressure = 7,0 bar @ 25°C;
- hydraulic test pressure = 9,1 bar;
- max Δp = 1,4 bar;
- operating temperature = 5 ÷ 40 °C;
- In/Out flanged connections DN50;
- Suggested bolt tightening torque 6-8 Nm;
- suitable for high flow "special pleated cartridges";
- cartridges dimensions: 6" x 20" and 6" x 40".

Ref	Description	Fam.	Subfam.	Disp. Stock
FB360	MWG SINGLE CARTRIDGE PVC-U FILTER HOUSING PF20 DN50	40	107	OK

Ref	Cartridge Type	Weight (kg)	Capacity (Liters)	Nominal Flow Rate (lpm)
FB360	6" x 20"	12	25	300

Box: WxLxH	Box: Q.ty	Box: Weight	Pallet: WxLxH	Pallet: Q.ty	Pallet: Weight

Certificates	Manufacturer	Sectors
CE	<b>MWG</b>	Industrial

Ref	Description	Fam.	Subfam.	Disp. Stock
FB361	MWG SINGLE CARTRIDGE PVC-U FILTER HOUSING PF40 DN50	40	107	OK

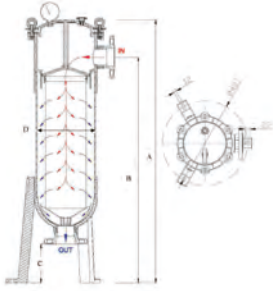
Ref	Cartridge Type	Weight (kg)	Capacity (Liters)	Nominal Flow Rate (lpm)
FB361	6" x 40"	15	41	300

Box: WxLxH	Box: Q.ty	Box: Weight	Pallet: WxLxH	Pallet: Q.ty	Pallet: Weight

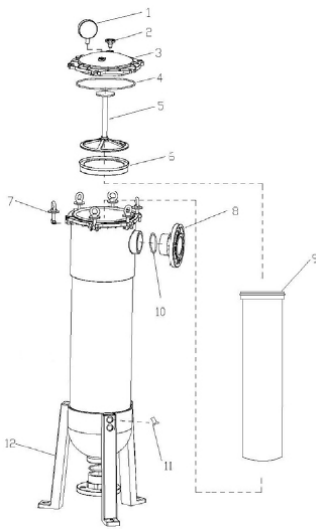
Certificates	Manufacturer	Sectors
CE	<b>MWG</b>	Industrial



## High Flow PVC-U Single Cartridge Filter Housings PF Series



Ref	A	B	C	D
FB360	1070	905	165	225
FB361	1560	1395	165	225



### Spare Parts

Ref	Description	Fam.	Subfam.	Disp. Stock	
FB367	MWG MANOMETER 0-7 BAR 1/4"	40	107	OK	
FB366	MWG PURGE CAP	40	107	OK	
FB580	MWG FLANGED TOP COVER 225 HPCF/PF/HXP + PURGE CAP+ O-RING	40	108	OK	
FB363	MWG EPDM CLOSURE O-RING HPCF-PF-HXP 225	40	107	OK	
FB368	MWG PVC SPACER	40	107	OK	
FB359	MWG PF FILTER 6" CARTRIDGE SEAL RING	40	107	OK	
FB364	MWG AISI BOLT KIT M10	40	107	OK	
FB370	MWG DN50 FLANGE	40	107	OK	
	Single Cartridges (not included)				
FB362	MWG 2" FLANGE O-RING	40	107	OK	
FB374	MWG SUPPORT LEG FIXING SCREW	40	107	OK	
FB373	MWG SUPPORT LEG	40	107	OK	

Item	Ref	Description	Q.TY	Material
1	FB367	MWG MANOMETER 0-7 BAR 1/4"	1	
2	FB366	MWG PURGE CAP	1	
2+3+4	FB580	MWG FLANGED TOP COVER 225 HPCF/PF/HXP + PURGE CAP+ O-RING	1	
4	FB363	MWG EPDM CLOSURE O-RING HPCF-PF-HXP 225	1	EPDM
5	FB368	MWG PVC SPACER	1	PVC
6	FB359	MWG PF FILTER 6" CARTRIDGE SEAL RING	1	
7	FB364	MWG AISI BOLT KIT M10	6	AISI
8	FB370	MWG DN50 FLANGE	2	
9		Single Cartridges (not included)		
10	FB362	MWG 2" FLANGE O-RING	2	
11	FB374	MWG SUPPORT LEG FIXING SCREW	6	
12	FB373	MWG SUPPORT LEG	3	





## High Flow PVC-U Single Cartridge Filter Housings PF Series



### Cartridge to coupling

- high flow "special pleated cartridges" single open-ended;
- filter media and support in PP, o-ring seal in EPDM;
- end caps in fiberglass reinforced PP;
- inside to outside flow pattern;
- external diameter = 6" (152 mm);
- recommended maximum ΔP 1,0 bar at 20°C.

Ref	Description	Fam.	Subfam.	Disp. Stock	
FB376	MWG PLEATED CARTRIDGE PP DLHF620PP4.5E	40	107	OK	
FB378	MWG PLEATED CARTRIDGE PP DLHF620PP10E	40	107	OK	
FB379	MWG PLEATED CERTRIDGE PP DLHF620PP20E	40	107	OK	
FB381	MWG PLEATED CARTRIDGE PP DLHF620PP70E	40	107	OK	
FB382	MWG PLEATED CARTRIDGE PP DLHF620PP100E	40	107	OK	

Ref	Lenght (inch)	Micron	Nominal Flow Rate (lpm)
FB376	20"	4,5	660
FB378	20"	10	660
FB379	20"	20	660
FB381	20"	70	660
FB382	20"	100	660

Box: WxLxH	Box: Q.ty	Box: Weight	Pallet: WxLxH	Pallet: Q.ty	Pallet: Weight

Certificates	Manufacturer	Sectors
	<b>MWG</b>	Industrial

Ref	Description	Fam.	Subfam.	Disp. Stock	
FB386	MWG PLEATED CARTRIDGE PP DLHF640PP4.5E	40	107	OK	
FB389	MWG PLEATED CARTRIDGE PP DLHF640PP20E	40	107	OK	
FB391	MWG PLEATED CARTRIDGE PP DLHF640PP70E	40	107	OK	
FB392	MWG PLEATED CARTRIDGE PP DLHF640PP100E	40	107	OK	

Ref	Lenght (inch)	Micron	Nominal Flow Rate (lpm)
FB386	40"	4,5	1300
FB389	40"	20	1300
FB391	40"	70	1300
FB392	40"	100	1300

Box: WxLxH	Box: Q.ty	Box: Weight	Pallet: WxLxH	Pallet: Q.ty	Pallet: Weight

Certificates	Manufacturer	Sectors
	<b>MWG</b>	Industrial



## PP Bag Filter Housings



- PP bag filter housings, with flanged top opening, In/Out DN50 connection with air/drain threaded connection;
- all filter housing internal material and all internal spare parts are in PP for strong chemical corrosion resistance;
- Opening gasket and manifold gaskets in EPDM;
- With aeration valve and pressure gauge;
- European 2014/68/EU Dir. compliant for pressure equipment (PED);
- Nominal flow rate = 300 lpm;
- Design pressure = 8,0 bar @ 25°C;
- Max  $\Delta p$  = 1,0 bar;
- Operating temperature = 5 ÷ 65 °C;
- Suggested bolt tightening torque 6-8 Nm;
- Suitable for bag filter;
- Bag filters dimensions: 7" x 16" and 7" x 32".

Ref.	Description	Fam.	Subfam.	Disp. Stock	
FB355PP	MWG BAG FILTER HOUSING PP MOD. HXP-BF-1-1-B DN50	40	107	OK	
FB356PP	MWG BAG FILTER HOUSING PP MOD. HXP-BF-1-2-B DN50	40	107	OK	

Ref.	Bag Size	Weight (kg)	Capacity (Litres)	Nominal Flow Rate (lpm)
FB355PP	7" x 16"	10	17	300
FB356PP	7" x 32"	13	30	300

Box: WxLxH	Box: Q.ty	Box: Weight	Pallet: WxLxH	Pallet: Q.ty	Pallet: Weight

Certificates	Manufacturer	Sectors
CE	<b>MWG</b>	Industrial



## PVC-U Bag Filter System



- PVC-U bag filter housings, with flanged top opening, support legs, In/Out female socket weld connections and two 1/4" threaded connections for air valve pressure gauges and for drain filter;
- all filter housing internal material and all internal spare parts are in PVC-U for high chemical corrosion resistance;
- Opening gasket and manifold gaskets in EPDM;
- With aeration valve and pressure gauge;
- European 2014/68/EU Dir. compliant for pressure equipment (PED);
- Nominal flow rate = 300 lpm;
- Design pressure = 7,0 bar @ 25°C;
- Hydraulic test pressure = 9,1 bar;
- Max Δp = 1,0 bar;
- Operating temperature = 5 ÷ 40 °C;
- In/Out flanged connections DN50;
- Suggested bolt tightening torque 6-8 Nm;
- Suitable for bag filter;
- Bag filters dimensions: 7" x 16" and 7" x 32".

Ref	Description	Fam.	Subfam.	Disp. Stock
FB355	MWG BAG FILTER HOUSING PVC-U MOD. HXP-BF-1-1-B DN50	40	107	OK

Ref	Bag Size	Weight (kg)	Capacity (Litres)	Nominal Flow Rate (lpm)
FB355	7" x 16"	10	17	300

Box: WxLxH	Box: Q.ty	Box: Weight	Pallet: WxLxH	Pallet: Q.ty	Pallet: Weight

Ref	Description	Fam.	Subfam.	Disp. Stock
FB356	MWG BAG FILTER HOUSING PVC-U MOD. HXP-BF-1-2-B DN50	40	107	OK

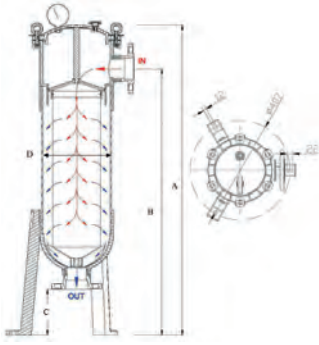
Ref	Bag Size	Weight (kg)	Capacity (Liters)	Nominal Flow Rate
FB356	7" x 32"	13	30	300

Box: WxLxH	Box: Q.ty	Box: Weight	Pallet: WxLxH	Pallet: Q.ty	Pallet: Weight

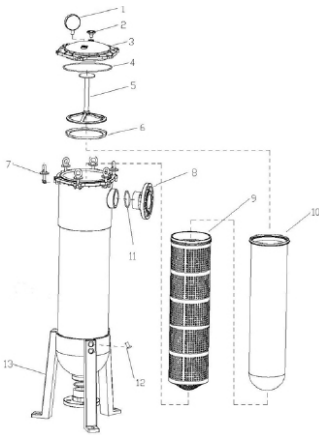
Certificates	Manufacturer	Sectors
CE	<b>MWG</b>	Industrial



## PVC-U Bag Filter System



Ref	C	D	A	B
FB355	165	225	845	685
FB356	165	225	1225	1065



### Spare Parts

Ref	Description	Fam.	Subfam.	Disp. Stock
FB367	MWG MANOMETER 0-7 BAR 1/4"	40	107	OK
FB366	MWG PURGE CAP	40	107	OK
FB580	MWG FLANGED TOP COVER 225 HPCF/PF/HXP + PURGE CAP+ O-RING	40	108	OK
FB363	MWG EPDM CLOSURE O-RING HPCF-PF-HXP 225	40	107	OK
FB368	MWG PVC SPACER	40	107	OK
FB359A	HXP-BF FILTER BAG SEAL RING	40	107	OK
FB364	MWG AISI BOLT KIT M10	40	107	OK
FB370	MWG DN50 FLANGE	40	107	OK
FB383	MWG PVC 16" FILTER SUPPORT ARMOR	40	107	OK
FB383A	MWG PVC 32" FILTER SUPPORT ARMOR	40	107	OK
	Bag Filter (not included)			
FB362	MWG 2" FLANGE O-RING	40	107	OK
FB374	MWG SUPPORT LEG FIXING SCREW	40	107	OK
FB373	MWG SUPPORT LEG	40	107	OK

Rif. N.	Ref	Description	Q.ty	Material
1	FB367	MWG MANOMETER 0-7 BAR 1/4"	1	
2	FB366	MWG PURGE CAP	1	
2+3+4	FB580	MWG FLANGED TOP COVER 225 HPCF/PF/HXP + PURGE CAP+ O-RING	1	
4	FB363	MWG EPDM CLOSURE O-RING HPCF-PF-HXP 225	1	EPDM
5	FB368	MWG PVC SPACER	1	PVC
6	FB359A	HXP-BF FILTER BAG SEAL RING	1	
7	FB364	MWG AISI BOLT KIT M10	6	AISI
8	FB370	MWG DN50 FLANGE	2	
9	FB383	MWG PVC 16" FILTER SUPPORT ARMOR	1	PVC
9	FB383A	MWG PVC 32" FILTER SUPPORT ARMOR	1	PVC
10		Bag Filter (not included)		
11	FB362	MWG 2" FLANGE O-RING	2	
12	FB374	MWG SUPPORT LEG FIXING SCREW	6	
13	FB373	MWG SUPPORT LEG	3	



## PVC-U Bag Filter System

### PVC-U Bag Filter System

- Inside to outside flow pattern;
- In PP material;
- External diameter = 7" (178 mm);
- Recommended maximum  $\Delta p = 1,0$  bar at 20°C.

Ref	Description	Fam.	Subfam.	Disp. Stock	
FB357A	MWG BAG FILTER L= 16" - 1 MICRON	40	107	OK	
FB357B	MWG BAG FILTER L= 16" - 5 MICRON	40	107	OK	
FB357C	MWG BAG FILTER L= 16" - 10 MICRON	40	107	OK	
FB357D	MWG BAG FILTER L= 16" - 25 MICRON	40	107	OK	
FB357E	MWG BAG FILTER L= 16" - 50 MICRON	40	107	OK	
FB357F	MWG BAG FILTER L= 16" - 100 MICRON	40	107	OK	

Ref	Length	Micron	Nominal Flow Rate (lpm)
FB357A	16"	1	330
FB357B	16"	5	330
FB357C	16"	10	330
FB357D	16"	25	330
FB357E	16"	50	330
FB357F	16"	100	330

Ref	Description	Fam.	Subfam.	Disp. Stock	
FB358A	MWG BAG FILTER L= 32" - 1 MICRON	40	107	OK	
FB358B	MWG BAG FILTER L= 32" - 5 MICRON	40	107	OK	
FB358C	MWG BAG FILTER L= 32" - 10 MICRON	40	107	OK	
FB358D	MWG BAG FILTER L= 32" - 25 MICRON	40	107	OK	
FB358E	MWG BAG FILTER L= 32" - 50 MICRON	40	107	OK	
FB358F	MWG BAG FILTER L= 32" - 100 MICRON	40	107	OK	

Ref	Length	Micron	Nominal Flow Rate (lpm)
FB358A	32"	1	660
FB358B	32"	5	660
FB358C	32"	10	660
FB358D	32"	25	660
FB358E	32"	50	660
FB358F	32"	100	660

Certificates	Manufacturer	Sectors
CE	<b>MWG</b>	Industrial



## MWG Rocket Filters

- Made in the European Union (Italy);
- PP single cartridge filter housings, with In/Out 3" BSP female threaded openings, with support legs;
- Opening and manifold gaskets in NBR;
- European 2014/68/EU Directive compliant for pressure equipment (PED);
- Design pressure = 6,0 bar @ 25°C;
- Operating temperature = 5 ÷ 40 °C;
- Suitable for professional applications where high performances and reliable products are needed, mainly for seawater and corrosive liquids;
- Designed for high flow rates, can fit 23" and 40" filter cartridge FON type;
- Equipped with plastic 3/4 " drain plug and relief valve;
- No brass inserts;
- Provided with stainless steel clamp for quick and easy open/close for maintenance;
- Max flow rate 60 m<sup>3</sup> /h @ 2 bar (empty).

Ref.	Description	Fam.	Subfam.	Disp. Stock	
FBRK23	MWG ROCKET FILTER HOUSING IN PP 23	40	106	OK	
FBRK40	MWG ROCKET FILTER HOUSING IN PP 40	40	106	OK	

Ref.	Total Height (mm)	Footprint (mm)	Weight (kg)
FBRK23	1090	388	19
FBRK40	1500	388	22,5

Box: WxLxH	Box: Q.ty	Box: Weight	Pallet: WxLxH	Pallet: Q.ty	Pallet: Weight

Certificates	Manufacturer	Sectors
CE	<b>MWG</b>	Commercial, Industrial





## Cartridges for MWG Rocket Filters

### Meltblown Cartridges for MWG Rocket Filters

- High-flow pleated cartridges with one side open end (FON type);
- PP filter media and support, EPDM seal;
- PP end caps reinforced with fiberglass;
- Inside-out flow direction;
- External diameter 6" (152 mm);
- Suggested pressure drops: 1 bar @ 20°C temperature.



Ref.	Description	Fam.	Subfam.	Disp. Stock	
FARK23MB01	PP MELT BLOWN CARTRIDGE 1 MICRON FOR ROCKET 23	40	105	NO	
FARK23MB05	PP MELT BLOWN CARTRIDGE 5 MICRON FOR ROCKET 23	40	105	NO	
FARK23MB20	PP MELT BLOWN CARTRIDGE 20 MICRON FOR ROCKET 23	40	105	NO	
FARK23MB50	PP MELT BLOWN CARTRIDGE 50 MICRON FOR ROCKET 23	40	105	NO	
FARK40MB01	PP MELT BLOWN CARTRIDGE 1 MICRON FOR ROCKET 40	40	105	NO	
FARK40MB05	PP MELT BLOWN CARTRIDGE 5 MICRON FOR ROCKET 40	40	105	NO	
FARK40MB20	PP MELT BLOWN CARTRIDGE 20 MICRON FOR ROCKET 40	40	105	NO	
FARK40MB50	PP MELT BLOWN CARTRIDGE 50 MICRON FOR ROCKET 40	40	105	NO	

Ref.	Length	Micron (µm)	Nominal Flow Rate (l/h)
FARK23MB01	23"	1	8.000
FARK23MB05	23"	5	15.000
FARK23MB20	23"	20	20.000
FARK23MB50	23"	50	25.000
FARK40MB01	40"	1	16.000
FARK40MB05	40"	5	30.000
FARK40MB20	40"	20	40.000
FARK40MB50	40"	50	50.000

Box: LxPxH	Box: Q.ty	Box: Weight	Pallet: LxPxH	Pallet: Q.ty	Pallet: Weight

Certificates	Manufacturer	Sectors
	<b>MWG</b>	Commercial, Industrial



## Cartridges for MWG Rocket Filters

### String-wound Cartridges for MWG Rocket Filters

- String-wound cartridges with one side open end (FON type);
- PP filter media and support, EPDM seal;
- PP end caps reinforced with fiberglass;
- Inside-out flow direction;
- External diameter 6" (152 mm);
- Suggested pressure drops: 1 bar @ 20°C temperature.



Ref.	Description	Fam.	Subfam.	Disp. Stock	
FARK23FA01	STRING WOUND CARTRIDGE 1 MICRON FOR ROCKET 23	40	105	NO	
FARK23FA05	STRING WOUND CARTRIDGE 5 MICRON FOR ROCKET 23	40	105	NO	
FARK23FA20	STRING WOUND CARTRIDGE 20 MICRON FOR ROCKET 23	40	105	NO	
FARK23FA50	STRING WOUND CARTRIDGE 50 MICRON FOR ROCKET 23	40	105	NO	
FARK40FA01	STRING WOUND CARTRIDGE 1 MICRON FOR ROCKET 40	40	105	NO	
FARK40FA05	STRING WOUND CARTRIDGE 5 MICRON FOR ROCKET 40	40	105	NO	
FARK40FA20	STRING WOUND CARTRIDGE 20 MICRON FOR ROCKET 40	40	105	NO	
FARK40FA50	STRING WOUND CARTRIDGE 50 MICRON FOR ROCKET 40	40	105	NO	

Ref.	Length	Micron (µm)	Nominal Flow Rate (l/h)
FARK23FA01	23"	1	9.000
FARK23FA05	23"	5	16.000
FARK23FA20	23"	20	22.000
FARK23FA50	23"	50	27.000
FARK40FA01	40"	1	18.000
FARK40FA05	40"	5	32.000
FARK40FA20	40"	20	44.000
FARK40FA50	40"	50	54.000

Box: LxPxH	Box: Q.tà	Box: Peso	Pallet: LxPxH	Pallet: Q.tà	Pallet: Peso

Certificates	Manufacturer	Sectors
	<b>MWG</b>	Commercial, Industrial





## High Flow Single Side Port Cartridge MWG EuroFlow Filter Housings EF Series- 2nd Generation



- Single cartridge filter housings with fiberglass reinforced plastic pressure vessels;
- White painted, UVA-ray proof material;
- Single 3" side port connection;
- Suitable for industrial applications, for high chemical corrosion resistance;
- Compact and modular design;
- With n.1 aeration valve and n.1 drain connection;
- Ease of installation and maintenance;
- O-ring in EPDM;
- Max operating pressure 150 psi (10 bar);
- Max Δp = 2 bar;
- Operating temperature 5 ÷ 49 °C;
- Operating pH range 3 ÷ 11;
- With 3" DN80 grooved end In/Out couplings and stub pipes in PVC-U PN = 4 bar;
- Straps and saddles included;
- 2014/68/EU Directive compliant for pressure equipment (PED);
- Suitable for high flow "special pleated cartridges", with guiding ring;
- Cartridges dimensions 6" x 40".

Ref.	Description	Fam.	Subfam.	Disp. Stock	
FBEF40P1	MWG FILTER HOUSING EUROFLOW SINGLE CARTRIDGE 40" FRP 150 PSI SINGLE SP	40	114	OK	
FBEF60P1	MWG FILTER HOUSING EUROFLOW SINGLE CARTRIDGE 60" FRP 150 PSI SINGLE SP	40	114	OK	

Ref.	Cartridges Number	Lenght(mm)	External Diameter(mm)	Weight (kg)
FBEF40P1	n.1 6" x 40"	1226	218	14
FBEF60P1	n.1 6" x 60"	1734	218	18

Box: WxLxH	Box: Q.ty	Box: Weight	Pallet: WxLxH	Pallet: Q.ty	Pallet: Weight

Certificates	Manufacturer	Sectors
CE	MWG	Industrial

### Cartridge to coupling MWG Euroflow 2nd Generation

- High flow 6 layers "special pleated cartridges" single open-ended;
- Filter media and support in PP, o-ring seal in EPDM; End caps in fiberglass reinforced PP;
- Inside to outside flow pattern; External diameter = 154 mm;
- Recommended maximum ΔP 2,0 bar at 20°C. T max = 80°C. Membrane area = 4,5m<sup>2</sup>;
- Max Flow Rate for 40" Cartridges = 40 m<sup>3</sup>/h;
- Max Flow Rate for 60" Cartridges = 60 m<sup>3</sup>/h.

Ref.	Description	Fam.	Subfam.	Disp. Stock	
FAEF2G4001	40" CARTRIDGE IN PP 1 MICRON FOR MGW EUROFLOW GEN 2	40	114	OK	
FAEF2G4005	40" CARTRIDGE IN PP 5 MICRON FOR MGW EUROFLOW GEN 2	40	114	OK	
FAEF2G4010	40" CARTRIDGE IN PP 10 MICRON FOR MGW EUROFLOW GEN 2	40	114	OK	
FAEF2G4020	40" CARTRIDGE IN PP 20 MICRON FOR MGW EUROFLOW GEN 2	40	114	OK	
FAEF2G4040	40" CARTRIDGE IN PP 40 MICRON FOR MGW EUROFLOW GEN 2	40	114	OK	
FAEF2G40C1	40" CARTRIDGE IN PP 100 MICRON FOR MGW EUROFLOW GEN 2	40	114	OK	
FAEF2G6001	60" CARTRIDGE IN PP 1 MICRON FOR MGW EUROFLOW GEN 2	40	114	OK	
FAEF2G6005	60" CARTRIDGE IN PP 5 MICRON FOR MGW EUROFLOW GEN 2	40	114	OK	
FAEF2G6010	60" CARTRIDGE IN PP 10 MICRON FOR MGW EUROFLOW GEN 2	40	114	OK	
FAEF2G6020	60" CARTRIDGE IN PP 20 MICRON FOR MGW EUROFLOW GEN 2	40	114	OK	
FAEF2G6040	60" CARTRIDGE IN PP 40 MICRON FOR MGW EUROFLOW GEN 2	40	114	OK	
FAEF2G60C1	60" CARTRIDGE IN PP 100 MICRON FOR MGW EUROFLOW GEN 2	40	114	OK	

Certificates	Manufacturer	Sectors
	MWG	Industrial





## High Flow Single 40" Cartridge MWG EuroFlow Filter Housings Double Side Port EF Series- 2nd Generation



- Single cartridge filter housings with fiberglass reinforced plastic pressure vessels;
- White painted, UVA-ray proof material;
- 3" Double side port connection;
- Suitable for industrial applications, for high chemical corrosion resistance;
- Compact and modular design;
- With n.1 aeration valve and n.1 drain connection;
- Ease of installation and maintenance;
- O-ring in EPDM;
- Max operating pressure 150 psi (10 bar);
- Max Δp = 2 bar;
- Operating temperature 5 ÷ 49 °C;
- Operating pH range 3 ÷ 11;
- With 3" DN80 grooved end In/Out couplings and stub pipes in PVC-U PN = 4 bar;
- Straps and saddles included;
- 2014/68/EU Directive compliant for pressure equipment (PED);
- Suitable for high flow "special pleated cartridges", with guiding ring.

Ref.	Description	Fam.	Subfam.	Disp. Stock	
FBEF40P2	MWG FILTER HOUSING EUROFLOW SINGLE CARTRIDGE 40" FRP 150 PSI DOUBLE SP	40	114	OK	
FBEF60P2	MWG FILTER HOUSING EUROFLOW SINGLE CARTRIDGE 60" FRP 150 PSI DOUBLE SP	40	114	OK	

Ref.	Cartridges Number	Length (mm)	External Diameter (mm)	Weight (kg)
FBEF40P2	n.1 6" x 40"	1226	218	14
FBEF60P2	n.1 6" x 60"	1734	218	18

Box: WxLxH	Box: Q.ty	Box: Weight	Pallet: WxLxH	Pallet: Q.ty	Pallet: Weight

Certificates	Manufacturer	Sectors
CE	MWG	Industrial

### Cartridge to coupling MWG Euroflow 2nd Generation

- High flow 6 layers "special pleated cartridges" single open-ended;
- Filter media and support in PP, o-ring seal in EPDM; End caps in fiberglass reinforced PP;
- Inside to outside flow pattern; External diameter = 154 mm;
- Recommended maximum ΔP 2,0 bar at 20°C. T max = 80°C. Membrane area = 4,5m<sup>2</sup>;
- Max Flow Rate for 40" Cartridges = 40 m<sup>3</sup>/h;
- Max Flow Rate for 60" Cartridges = 60 m<sup>3</sup>/h.

Ref.	Description	Fam.	Subfam.	Disp. Stock	
FAEF2G4001	40" CARTRIDGE IN PP 1 MICRON FOR MGW EUROFLOW GEN 2	40	114	OK	
FAEF2G4005	40" CARTRIDGE IN PP 5 MICRON FOR MGW EUROFLOW GEN 2	40	114	OK	
FAEF2G4010	40" CARTRIDGE IN PP 10 MICRON FOR MGW EUROFLOW GEN 2	40	114	OK	
FAEF2G4020	40" CARTRIDGE IN PP 20 MICRON FOR MGW EUROFLOW GEN 2	40	114	OK	
FAEF2G4040	40" CARTRIDGE IN PP 40 MICRON FOR MGW EUROFLOW GEN 2	40	114	OK	
FAEF2G40C1	40" CARTRIDGE IN PP 100 MICRON FOR MGW EUROFLOW GEN 2	40	114	OK	
FAEF2G6001	60" CARTRIDGE IN PP 1 MICRON FOR MGW EUROFLOW GEN 2	40	114	OK	
FAEF2G6005	60" CARTRIDGE IN PP 5 MICRON FOR MGW EUROFLOW GEN 2	40	114	OK	
FAEF2G6010	60" CARTRIDGE IN PP 10 MICRON FOR MGW EUROFLOW GEN 2	40	114	OK	
FAEF2G6020	60" CARTRIDGE IN PP 20 MICRON FOR MGW EUROFLOW GEN 2	40	114	OK	
FAEF2G6040	60" CARTRIDGE IN PP 40 MICRON FOR MGW EUROFLOW GEN 2	40	114	OK	
FAEF2G60C1	60" CARTRIDGE IN PP 100 MICRON FOR MGW EUROFLOW GEN 2	40	114	OK	

Certificates	Manufacturer	Sectors
	MWG	Industrial





## Y Filters

This filter can be used in irrigation systems to remove impurities that block pipes and solenoid valves. They guarantee top protection for every irrigation system and thanks to their solid and simple structure, they reduce the need for maintenance interventions to a minimum.



Ref.	Description	Fam.	Subfam.	Disp. Stock	
GC00201	3/4" Y FILTER 130 MICRON	110	571	OK	
GC00202	1" Y FILTER 130 MICRON	110	571	OK	
GC00203	1.2" Y FILTER 130 MICRON	110	571	OK	
GC00204	1.5" Y FILTER 130 MICRON	110	571	OK	
GC00205	2" Y FILTER 130 MICRON	110	571	OK	
GC00206	2" HF Y FILTER 130 MICRON	110	571	OK	

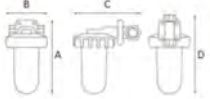
Certificates	Manufacturer	Sectors
		Commercial, Industrial



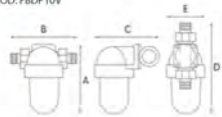
## MWG Polyphosphate Proportioning Feeders



COD: FBDP04V      COD: FBDP06V



COD: FBDP10V



- Made in European Union (Italy);
- Proportional dosage to water flow through Venturi system;
- Average dosage 3 ppm of P2O5;
- Head in reinforced polypropylene (in brass only for ref. FBDP04V), bowl in SAN, o-ring in EPDM;
- Availability of different models with IN-OUT connections from 1/2" F (with screw dosing setting or bypass) to 1" F;
- With specific plastic wrench (Ref. FBMDR11 for 3/4" and 1" models);
- Max operating pressure 8 bar;
- Range temperature 4 - 45 °C;
- Shipped without Polyphosphate, to order separately.

Ref.	Description	Fam.	Subfam.	Disp. Stock	
FBDP04V	MWG POLYPHOSPHATE FEEDER 1/2" EMPTY WITH SCREW FOR DOSING	40	111	OK	
FBDP06V	MWG POLYPHOSPHATE FEEDER 1/2" EMPTY WITH BYPASS	40	111	OK	
FBDP07V	MWG POLYPHOSPHATE FEEDER 3/4" EMPTY	40	111	OK	
FBDP10V	MWG POLYPHOSPHATE FEEDER 1" EMPTY	40	111	OK	

Ref.	IN-OUT Connections	Max Flow Rate (l/h)	A (mm)	B (mm)	C (mm)	D (mm)	E (mm)
FBDP04V	1/2"	1500	150	65	126	145	
FBDP06V	1/2"	1500	150	65	112	145	
FBDP07V	3/4"	3000	208	164	164	256	105
FBDP10V	1"	5000	208	168	164	259	105

Ref.	Box: WxLxH.	Box: Q.ty	Box: Weight	Pallet: WxLxH.	Pallet: Q.ty	Pallet: Weight
FBDP04V						
FBDP06V						
FBDP07V						
FBDP10V						

Certificates	Manufacturer	Sectors
DM174-2004	<b>MWG</b>	Domestic, Commercial

### Accessories

Ref.	Description	Fam.	Subfam.	Disp. Stock	
FB DPR04	MWG PLASTIC SPANNER FOR FB DP04V	40	111	OK	
FB DPR06	MWG PLASTIC SPANNER FOR FB DP06V	40	111	OK	
FBMDR11	MWG PLASTIC SPANNER FOR FILTER MD	40	106	OK	

## MWG Powder Polyphosphate

Available polyphosphate packages as spare.



COD: FB347A

Ref	Description	Fam.	Subfam.	Disp. Stock	
FB347C	MWG POLYPHOSPHATE COMPACT POWDER BLISTER (6 REFILL X 80 G)	40	112	OK	
FB347D	MWG POLYPHOSPHATE POWDER PACK 0,5 KG	40	112	OK	
FB347A	MWG POLYPHOSPHATE POWDER BOX 1 KG	40	112	OK	
FB347	MWG POLYPHOSPHATE POWDER BOX 25 KG	40	112	NO	

Certificates	Manufacturer	Sectors
DM174-2004	<b>MWG</b>	Domestic, Commercial



## Polyphosphate Crystals

- based on a mixture of selected high polymerization metaphosphates, in transparent vitreous state white or blue colour;
- typical composition: P2O5 > 60% and Na2O = 30% av.;
- to be used as antiscaling and corrosion inhibitor with water for potable and industrial applications;
- slow dissolution crystals, proportional to crystal size, temperature, pH and water hardness.

Ref	Description	Fam.	Subfam.		
FB350	MWG WHITE POLYPHOSPHATE CRYSTALS 5-15 MM BOX 25KG	40	112		
FB350A	MWG WHITE POLYPHOSPHATE CRYSTALS 5-15 MM PACK 1 K	40	112		
FB351	MWG POLYPHOSPHATE CRYSTALS 10-20 MM BOX 25 KG	40	112		
FB351A	MWG POLYPHOSPHATE CRYSTALS 10-20 MM PACK 1 KG	40	112		
FB348	MWG BLUE POLYPHOSPHATE CRYSTALS 5-15 MM BOX 25KG	40	112		
FB348A	MWG BLUE POLYPHOSPHATE CRYSTALS 5-15 MM PACK 1KG	40	112		
FB349	MWG BLUE POLYPHOSPHATE CRYSTALS 10-20MM BOX 25KG	40	112		
FB349A	MWG BLUE POLYPHOSPHATE CRYSTALS 10-20 MM PACK 1KG	40	112		

Box: WxLxH	Box: Q.ty	Box: Weight	Pallet: WxLxH	Pallet: Q.ty	Pallet: Weight

Certificates	Manufacturer	Sectors
STANDARD EN 1208: 2005	<b>MWG</b>	Domestic, Commercial

## Liquid Polyphosphate

NOTE: not suitable for Polyphosphate Crystals Feeder.

Designed to use with dosing pump.

Ref	Description	Fam.	Subfam.	Disp. Stock	
FB346	MWG LIQUID POLYPHOSPHATE BOTTLE 1 LITER	40	112	NO	

Certificates	Manufacturer	Sectors
	<b>MWG</b>	Domestic, Commercial