

# MEMBRANE OSMOSI INVERSA E ULTRAFILTRAZIONE

MWG, LG, Vontron, CSM



## Membrane MWG



| Codice       | Descrizione                  | Fam. | Sotto Fam. | Disp. Stock |  |
|--------------|------------------------------|------|------------|-------------|--|
| MMRO1812-75  | MEMBRANA MWG 1.8" RO1812-75  | 30   | 151        | OK          |  |
| MMRO2012-100 | MEMBRANA MWG 2" RO2012-100   | 30   | 151        | OK          |  |
| MMRO2012-200 | MEMBRANA MWG 2" RO2012-200   | 30   | 151        | OK          |  |
| MMNF2012R    | MEMBRANA MWG 2" NF-2012R     | 30   | 151        | OK          |  |
| MMRO3012-300 | MEMBRANA MWG 3" RO3012-300   | 30   | 156        | OK          |  |
| MMRO3012-400 | MEMBRANA MWG 3" RO3012-400   | 30   | 156        | OK          |  |
| MMRO3013-400 | MEMBRANA MWG 3" RO3013-400   | 30   | 156        | OK          |  |
| MMXLP2521    | MEMBRANA MWG 2.5" XLP-2521   | 30   | 161        | OK          |  |
| MMXLP2540    | MEMBRANA MWG 2.5" XLP-2540   | 30   | 161        | OK          |  |
| MMXLP4040    | MEMBRANA MWG 4" XLP-4040     | 30   | 162        | OK          |  |
| MMXLP8040HF  | MEMBRANA MWG 8" XLP-8040HF   | 35   | 163        | OK          |  |
| MMULP2521    | MEMBRANA MWG 2.5" ULP-2521   | 30   | 161        | OK          |  |
| MMULP4021    | MEMBRANA MWG 4" ULP-4021     | 30   | 162        | OK          |  |
| MMULP4040    | MEMBRANA MWG 4" ULP-4040     | 30   | 162        | OK          |  |
| MMULP4040MR2 | MEMBRANA MWG 4" ULP4040MR2   | 30   | 162        | OK          |  |
| MMULP8040HF  | MEMBRANA MWG 8" ULP-8040HF   | 35   | 163        | OK          |  |
| MMULP8040MR2 | MEMBRANA MWG 8" ULP-8040MR-2 | 35   | 163        | OK          |  |
| MMBW2521     | MEMBRANA MWG 2.5" BW-2521    | 30   | 161        | OK          |  |
| MMBW4040     | MEMBRANA MWG 4" BW-4040      | 30   | 162        | OK          |  |
| MMBW8040     | MEMBRANA MWG 8" BW-8040      | 35   | 163        | OK          |  |
| MMBW8040-2   | MEMBRANA MWG 8" BW-8040-2    | 35   | 163        | OK          |  |
| MMBW8040FR   | MEMBRANA MWG 8" BW-8040FR    | 35   | 163        | NO          |  |
| MMBW8040XLFR | MEMBRANA MWG 8" BW8040XLFR   | 35   | 163        | OK          |  |
| MMES8040UFR  | MEMBRANA MWG 8" ES8040UFR    | 35   | 163        | OK          |  |
| MMSW2521     | MEMBRANA MWG 2.5" SW-2521    | 30   | 161        | OK          |  |
| MMSW2540     | MEMBRANA MWG 2.5" SW-2540    | 30   | 161        | OK          |  |
| MMSW4021     | MEMBRANA MWG 4" SW-4021      | 30   | 162        | OK          |  |
| MMSW4040MR   | MEMBRANA MWG 4" SW-4040MR    | 30   | 162        | OK          |  |
| MMSW8040HR   | MEMBRANA MWG 8" SW-8040HR    | 35   | 163        | OK          |  |



## Membrane MWG

| Codice       | Mod.  | Produzione GPD (m <sup>3</sup> /d) | Reiezione nominale NaCl (%) | Superficie m <sup>2</sup> (ft <sup>2</sup> ) | Spaziatore (mil) | Test | NSF |
|--------------|-------|------------------------------------|-----------------------------|--|------------------|------|-----|
| MMRO1812-75  | TW RO | 75 (0,28)                          | 98,0                        | 0,37 (4)                                     | X                | 1    | 58  |
| MMRO2012-100 | TW RO | 100 (0,38)                         | 98,0                        | 0,56 (6)                                     | X                | 1    | 58  |
| MMRO2012-200 | TW RO | 200 (0,76)                         | 97,0                        | 0,75 (8)                                     | X                | 9    | 58  |
| MMNF2012R    | TW RO | 150 (0,57)                         | 85,0                        | 0,59 (6)                                     | X                | 2    | X   |
| MMRO3012-300 | TW RO | 300 (1,14)                         | 98,0                        | 1,3 (14)                                     | X                | 1    | 58  |
| MMRO3012-400 | TW RO | 400 (1,52)                         | 98,0                        | 1,3 (14)                                     | X                | 1    | 58  |
| MMRO3013-400 | TW RO | 400 (1,52)                         | 98,0                        | 1,5 (16,5)                                   | X                | 1    | X   |
| MMXLP2521    | XLP   | 400 (1,5)                          | 99,2                        | 1,3 (14)                                     | 28               | 3    | 61  |
| MMXLP2540    | XLP   | 600 (2,27)                         | 99,2                        | 2,5 (27)                                     | 28               | 3    | 61  |
| MMXLP4040    | XLP   | 2.600 (9,8)                        | 99,2                        | 7,9 (85)                                     | 28               | 4    | 61  |
| MMXLP8040HF  | XLP   | 13.000 (49,2)                      | 99,0                        | 40,9 (440)                                   | 28               | 4    | 61  |
| MMULP2521    | LP    | 400 (1,52)                         | 99,2                        | 1,3 (14)                                     | 28               | 5    | 61  |
| MMULP4021    | LP    | 950 (3,6)                          | 99,3                        | 3,4 (36)                                     | 28               | 5    | 61  |
| MMULP4040    | LP    | 2.700 (10,2)                       | 99,5                        | 9,3 (100)                                    | 28               | 5    | 61  |
| MMULP4040MR2 | LP    | 2.700 (10,2)                       | 99,5                        | 9,3 (100)                                    | 28               | 5    | X   |
| MMULP8040HF  | LP    | 12.500 (47,3)                      | 99,5                        | 40,9 (440)                                   | 28               | 5    | 61  |
| MMULP8040MR2 | LP    | 10.500 (39,7)                      | 99,6                        | 40,9 (440)                                   | 28               | 5    | 61  |
| MMBW2521     | BW    | 400 (1,52)                         | 99,5                        | 1,3 (14)                                     | 28               | 6    | 61  |
| MMBW4040     | BW    | 2.400 (9,1)                        | 99,6                        | 7,9 (85)                                     | 28               | 6    | 61  |
| MMBW8040     | BW    | 10.500 (39,7)                      | 99,6                        | 37,2 (400)                                   | 28               | 6    | 61  |
| MMBW8040-2   | BW    | 10.500 (39,7)                      | 99,7                        | 37,2 (400)                                   | 28               | 6    | 61  |
| MMBW8040FR   | FR    | 9.500 (35,9)                       | 99,7                        | 34 (365)                                     | 34               | 6    | 61  |
| MMBW8040XLFR | FR    | 11.500 (43,5)                      | 99,75                       | 37,2 (400)                                   | 34               | 6    | X   |
| MMES8040UFR  | FR    | 10.500 (39,7)                      | 99,6                        | 37,2 (400)                                   | 34               | 10   | X   |
| MMSW2521     | SW    | 250 (0,9)                          | 99,7                        | 1,3 (14)                                     | 28               | 7    | 61  |
| MMSW2540     | SW    | 500 (1,9)                          | 99,7                        | 2,5 (27)                                     | 28               | 7    | 61  |
| MMSW4021     | SW    | 700 (2,6)                          | 99,7                        | 3,4 (36)                                     | 28               | 7    | 61  |
| MMSW4040MR   | SW    | 1.800 (6,8)                        | 99,7                        | 7,9 (85)                                     | 28               | 7    | 61  |
| MMSW8040HR   | SW    | 6.500 (24,6)                       | 99,8                        | 37,2 (400)                                   | 28               | 7    | 61  |



## Membrane MWG

| Condizioni di Test | Pressione (psi) | Temperatura soluzione NaCl (°C) | Concentrazione soluzione NaCl (ppm) | Concentrazione soluzione MgSO4 (ppm) | pH      | Recupero (%) |
|--------------------|-----------------|---------------------------------|-------------------------------------|--------------------------------------|---------|--------------|
| 1                  | 60              | 25                              | 250                                 | -                                    | 7,5-8,0 | 15           |
| 2                  | 60              | 25                              | 250                                 | 250                                  | 7,5-8,0 | 15           |
| 3                  | 100             | 25                              | 500                                 | -                                    | 7,5-8,0 | 8            |
| 4                  | 100             | 25                              | 500                                 | -                                    | 7,5-8,0 | 15           |
| 5                  | 150             | 25                              | 1500                                | -                                    | 7,5-8,0 | 15           |
| 6                  | 225             | 25                              | 2000                                | -                                    | 7,5-8,0 | 15           |
| 7                  | 800             | 25                              | 32000                               | -                                    | 7,5-8,0 | 8            |
| 8                  | 70              | 25                              | 500                                 | 2000                                 | 7,5-8,0 | 15           |
| 9                  | 80              | 25                              | 250                                 | -                                    | 7,5-8,0 | 15           |
| 10                 | 150             | 25                              | 2000                                | -                                    | 7,5-8,0 | 15           |

**TW RO:** Residential RO - **XLP:** Extra Low Pressure - **BW:** Brackish Water - **NF:** Nano Filtration - **TW NF:** Industrial NF - **LP:** Low Pressure - **FR:** Fouling Resistant - **SW:** Sea Water

| Certificati | Produttore | Settori                             |
|-------------|------------|-------------------------------------|
| DM174-2004  | <b>MWG</b> | Domestico, Commerciale, Industriale |



## Membrane LG



| Codice         | Descrizione                  | Fam. | Sotto Fam. | Disp. Stock |  |
|----------------|------------------------------|------|------------|-------------|--|
| MLBW2521ES     | MEMBRANA LG 2,5" BW 2521 ES  | 30   | 153        | OK          |  |
| MLBW2540ES     | MEMBRANA LG 2,5" BW 2540 ES  | 30   | 153        | OK          |  |
| MLBW4021ES     | MEMBRANA LG 4" BW 4021 ES    | 30   | 154        | OK          |  |
| MLBW4040ES     | MEMBRANA LG 4" BW 4040 ES    | 30   | 154        | OK          |  |
| MLBW8-400ESL   | MEMBRANA LG 8" BW 400 ESL    | 30   | 168        | OK          |  |
| MLBW8-440ESL   | MEMBRANA LG 8" BW 440 ESL    | 30   | 168        | OK          |  |
| MLBW2521R      | MEMBRANA LG 2,5" BW 2521 R   | 30   | 153        | OK          |  |
| MLBW2540R      | MEMBRANA LG 2,5" BW 2540 R   | 30   | 153        | OK          |  |
| MLBW4021R      | MEMBRANA LG 4" BW 4021 UES   | 30   | 154        | OK          |  |
| MLBW4040R      | MEMBRANA LG 4" BW 4040 R     | 30   | 154        | OK          |  |
| MLBW8-400RG2   | MEMBRANA LG 8" BW 400 R G2   | 30   | 168        | OK          |  |
| MLBW8-440RG2   | MEMBRANA LG 8" BW 440 R G2   | 30   | 168        | OK          |  |
| MLBW8-440RDURA | MEMBRANA LG 8" BW 440 R DURA | 35   | 168        | OK          |  |
| MLBW2521UES    | MEMBRANA LG 2,5" BW 2521 UES | 30   | 153        | OK          |  |
| MLBW2540UES    | MEMBRANA LG 2,5" BW 2540 UES | 30   | 153        | OK          |  |
| MLBW4021UES    | MEMBRANA LG 4" BW 4021 UES   | 30   | 154        | OK          |  |
| MLBW4040UES    | MEMBRANA LG 4" BW 4040 UES   | 30   | 154        | OK          |  |
| MLLP8-MOST     | MEMBRANA LG 8" MOST          | 30   | 168        | OK          |  |
| MLLP8-MOST+    | MEMBRANA LG 8" MOST+         | 30   | 168        | OK          |  |
| MLBW8-400RDURA | MEMBRANA LG 8" BW 400 R DURA | 35   | 168        | OK          |  |
| MLBW8-400AFRG2 | MEMBRANA LG 8" BW 400 AFR G2 | 30   | 168        | OK          |  |
| MLSW4040R      | MEMBRANA LG 4" SW 4040 R     | 30   | 154        | OK          |  |
| MLSW8-400ES    | MEMBRANA LG 8" SW 400 ES     | 30   | 168        | OK          |  |
| MLSW8-440ES    | MEMBRANA LG 8" SW 440 ES     | 30   | 168        | OK          |  |
| MLSW8-400R     | MEMBRANA LG 8" SW 400 R      | 35   | 168        | OK          |  |
| MLSW8-440R     | MEMBRANA LG 8" SW 440 R      | 35   | 168        | OK          |  |



## Membrane LG

| Codice         | Mod. | Produzione GPD (m <sup>3</sup> /d) | Reiezione nominale NaCl (%) | Superficie m2 (ft2) | Spaziatore (mil) | Test | NSF |
|----------------|------|------------------------------------|-----------------------------|---------------------|------------------|------|-----|
| MLBW2521ES     | BW   | 345 (1,3)                          | 99,5                        | 0,9 (9)             | 28               | 5    | 61  |
| MLBW2540ES     | BW   | 750 (2,8)                          | 99,5                        | 2,0 (22)            | 28               | 5    | 61  |
| MLBW4021ES     | BW   | 1000 (3,8)                         | 99,5                        | 3,2 (34)            | 28               | 5    | 61  |
| MLBW4040ES     | BW   | 2500 (9,5)                         | 99,5                        | 7,9 (85)            | 28               | 5    | 61  |
| MLBW8-400ESL   | BW   | 10500 (39,7)                       | 99,5                        | 37 (400)            | 34               | 5    | 61  |
| MLBW8-440ESL   | BW   | 11500 (43,5)                       | 99,6                        | 41 (440)            | 28               | 5    | 61  |
| MLBW2521R      | BW   | 345 (1,3)                          | 99,6                        | 0,9 (9)             | 28               | 1    | 61  |
| MLBW2540R      | BW   | 750 (2,8)                          | 99,6                        | 2,0 (22)            | 28               | 1    | 61  |
| MLBW4021R      | BW   | 1000 (3,8)                         | 99,6                        | 3,2 (34)            | 28               | 1    | 61  |
| MLBW4040R      | BW   | 2500 (9,5)                         | 99,6                        | 7,9 (85)            | 28               | 1    | 61  |
| MLBW8-400RG2   | BW   | 11500 (43,5)                       | 99,8                        | 7,9 (85)            | 34 low dP        | 1    | 61  |
| MLBW8-440RG2   | BW   | 12650 (47,9)                       | 99,8                        | 41 (440)            | 28               | 1    | 61  |
| MLBW8-440RDURA | BW   | 12100 (45,8)                       | 99,7                        | 41 (440)            | 28               | 1    | 61  |
| MLBW2521UES    | LP   | 345 (1,3)                          | 99,0                        | 0,9 (9)             | 28               | 3    | 61  |
| MLBW2540UES    | LP   | 800 (3,0)                          | 99,0                        | 2,0 (22)            | 28               | 3    | 61  |
| MLBW4021UES    | LP   | 1000 (3,8)                         | 99,0                        | 3,2 (34)            | 28               | 3    | 61  |
| MLBW4040UES    | LP   | 2700 (10,2)                        | 99,0                        | 7,9 (85)            | 28               | 3    | 61  |
| MLLP8-MOST     | LP   | 13200 (49,2)                       | 99,1                        | 7,9 (85)            | 34 low dP        | 3    | 61  |
| MLLP8-MOST+    | LP   | 14300 (54,1)                       | 99,1                        | 7,9 (85)            | 28 low dP        | 3    | 61  |
| MLBW8-400RDURA | FR   | 11000 (41,6)                       | 99,7                        | 37 (400)            | 34 low dP        | 1    | 61  |
| MLBW8-400AFRG2 | FR   | 11500 (43,5)                       | 99,7                        | 37 (400)            | 34 low dP        | 1    | 61  |
| MLSW4040R      | SW   | 1950 (7,4)                         | 99,7                        | 7,4 (80)            | 28               | 4    | 61  |
| MLSW8-400ES    | SW   | 13700 (51,9)                       | 99,6                        | 37 (400)            | 34 low dP        | 4    | 61  |
| MLSW8-440ES    | SW   | 15070 (57,0)                       | 99,8                        | 41 (440)            | 28 low dP        | 4    | 61  |
| MLSW8-400R     | SW   | 9000 (34,1)                        | 99,85                       | 37 (400)            | 34               | 4    | 61  |
| MLSW8-440R     | SW   | 9900 (37,5)                        | 99,85                       | 41 (440)            | 28               | 4    | 61  |



## Membrane LG

| Condizioni di Test | Pressione (psi) | Temperatura soluzione NaCl (°C) | Concentrazione soluzione NaCl (ppm) | Concentrazione soluzione MgSO4 (ppm) | pH | Recupero (%)                 |
|--------------------|-----------------|---------------------------------|-------------------------------------|--------------------------------------|----|------------------------------|
| 1                  | 225             | 25                              | 2000                                | -                                    | 7  | 15 (8% per mod. 2521 e 4021) |
| 2                  | 150             | 25                              | 1500                                | -                                    | 7  | 15                           |
| 3                  | 100             | 25                              | 500                                 | -                                    | 7  | 15 (8% per mod. 2521 e 4021) |
| 4                  | 800             | 25                              | 32000                               | -                                    | 7  | 8                            |
| 5                  | 150             | 25                              | 2000                                | -                                    | 7  | 15 (8% per mod. 2521 e 4021) |

**BW:** Brackish Water - **LP:** Low Pressure - **SW:** Sea Water - **FR:** Fouling Resistant

| Certificati | Produttore | Settori                  |
|-------------|------------|--------------------------|
| NSF61       | LG         | Commerciale, Industriale |



## Membrane Vontron



| Codice          | Descrizione                       | Fam. | Sotto Fam. | Disp. Stock |  |
|-----------------|-----------------------------------|------|------------|-------------|--|
| MVULP1812-50    | MEMBRANA VONTRON 1.8" ULP1812-50  | 30   | 152        | OK          |  |
| MVULP1812-75    | MEMBRANA VONTRON 1.8" ULP1812-75  | 30   | 152        | OK          |  |
| MVULP2012-100   | MEMBRANA VONTRON 2" ULP2012-100   | 30   | 152        | OK          |  |
| MVULP2012-200   | MEMBRANA VONTRON 2" ULP2012-200   | 30   | 152        | OK          |  |
| MVULP3012       | MEMBRANA VONTRON 3" ULP3012-300   | 30   | 157        | OK          |  |
| MVULP3013-1000  | MEMBRANA VONTRON 3" ULP3013-1000  | 30   | 157        | OK          |  |
| MVXLP11-4040    | MEMBRANA VONTRON 4" XLP11-4040    | 30   | 166        | OK          |  |
| MVULP21-2521    | MEMBRANA VONTRON 2.5" ULP21-2521  | 30   | 159        | OK          |  |
| MVULP21-2540    | MEMBRANA VONTRON 2.5" ULP21-2540  | 30   | 159        | OK          |  |
| MVULP21-4021    | MEMBRANA VONTRON 4" ULP21-4021    | 30   | 166        | OK          |  |
| MVULP21-4040    | MEMBRANA VONTRON 4" ULP21-4040    | 30   | 166        | OK          |  |
| MVULP31-4040    | MEMBRANA VONTRON 4" ULP31-4040    | 30   | 166        | OK          |  |
| MVULP22-8040    | MEMBRANA VONTRON 8" ULP22-8040    | 35   | 167        | OK          |  |
| MVULP32-8040    | MEMBRANA VONTRON 8" ULP32-8040    | 35   | 167        | OK          |  |
| MVLP21-4040     | MEMBRANA VONTRON 4" LP21-4040     | 30   | 166        | OK          |  |
| MVLP22-8040     | MEMBRANA VONTRON 8" LP22-8040     | 35   | 167        | OK          |  |
| MVSW11-4021     | MEMBRANA VONTRON 4" SW11-4021     | 30   | 166        | OK          |  |
| MVSW11-2540     | MEMBRANA VONTRON 2.5" SW11-2540   | 30   | 159        | NO          |  |
| MVSW8040LE-440  | MEMBRANA VONTRON 8" SW8040LE-440  | 30   | 167        | NO          |  |
| MVSW8040XLE-440 | MEMBRANA VONTRON 8" SW8040XLE-440 | 30   | 167        | NO          |  |

| Codice          | Mod.   | Produzione GPD (m³/d) | Reiezione nominale NaCl (%) | Superficie m2 (ft2) | Spaziatore (mil) | Test | NSF |
|-----------------|--------|-----------------------|-----------------------------|---------------------|------------------|------|-----|
| MVULP1812-50    | TW RO  | 50 (0,19)             | 99,0                        | X X                 | X                | 1    | 58  |
| MVULP1812-75    | TW RO  | 75 (0,28)             | 98,0                        | X X                 | X                | 1    | 58  |
| MVULP2012-100   | TW RO  | 100 (0,38)            | 99,0                        | X X                 | X                | 1    | 58  |
| MVULP2012-200   | TW RO  | 200 (0,76)            | 92,0                        | X X                 | X                | 12   | 58  |
| MVULP3012       | TW RO  | 300 (1,14)            | 98,5                        | X X                 | X                | 3    | 58  |
| MVULP3013-1000  | TW RO  | 1000 (3,8)            | 90,0                        | X X                 | X                | 12   | X   |
| MVXLP11-4040    | XLP RO | 2.600 (9,8)           | 99,2                        | 9,3 (100)           | 28               | 3    | 61  |
| MVULP21-2521    | LP     | 300 (1.1)             | 99,0                        | 1,3 (14)            | 28               | 4    | 61  |
| MVULP21-2540    | LP     | 750 (2,84)            | 99,0                        | 2,8 (30)            | 28               | 4    | 61  |
| MVULP21-4021    | LP     | 950 (3,6)             | 99,0                        | 3,3 (36)            | 28               | 4    | 61  |
| MVULP21-4040    | LP     | 2.600 (9,8)           | 99,5                        | 9,3 (100)           | 28               | 5    | 61  |
| MVULP31-4040    | LP     | 2.000 (7,6)           | 99,6                        | 9,3 (100)           | 28               | 5    | 61  |
| MVULP22-8040    | LP     | 12.100 (45,7)         | 99,0                        | 37,2 (400)          | 28               | 5    | 61  |
| MVULP32-8040    | LP     | 10.500 (39,7)         | 99,5                        | 37,2 (400)          | 28               | 5    | 61  |
| MVLP21-4040     | LP     | 2.800 (10,6)          | 99,6                        | 9,3 (100)           | 28               | 7    | 61  |
| MVLP22-8040     | LP     | 10.500 (39,7)         | 99,7                        | 37,2 (400)          | 28               | 7    | 61  |
| MVSW11-4021     | SW     | 750 (2,8)             | 99,5                        | 3,1 (33)            | 28               | 9    | 61  |
| MVSW11-2540     | SW     | 600 (2,3)             | 99,5                        | 2,6 (28)            | 28               | 10   | 61  |
| MVSW8040LE-440  | SW     | 9.500 (35,9)          | 99,8                        | 40,9 (440)          | 28               | 10   | 61  |
| MVSW8040XLE-440 | SW     | 12.100 (45,8)         | 99,7                        | 40,9 (440)          | 28               | 10   | 61  |





## Membrane Vontron

| Condizioni di Test | Pressione (psi) | Temperatura soluzione NaCl (°C) | Concentrazione soluzione NaCl (ppm) | Concentrazione soluzione MgSO4 (ppm) | pH      | Recupero(%) |
|--------------------|-----------------|---------------------------------|-------------------------------------|--------------------------------------|---------|-------------|
| 1                  | 60              | 25                              | 250                                 | -                                    | 6,5-8,5 | 15          |
| 2                  | 60              | 25                              | 250                                 | CaCl2 250                            | 6,5-8,5 | 15          |
| 3                  | 100             | 25                              | 500                                 | -                                    | 7,5     | 15          |
| 4                  | 150             | 25                              | 1500                                | -                                    | 7,5     | 8           |
| 5                  | 150             | 25                              | 1500                                | -                                    | 7,5     | 15          |
| 6                  | 150             | 25                              | 500                                 | -                                    | 7,5     | 15          |
| 7                  | 225             | 25                              | 2000                                | -                                    | 7,5     | 15          |
| 8                  | 150             | 25                              | 2000                                | -                                    | 7,5     | 15          |
| 9                  | 800             | 25                              | 32000                               | -                                    | 7,5     | 4           |
| 10                 | 800             | 25                              | 32000                               | -                                    | 7,5     | 8           |
| 11                 | 100             | 25                              | 2000                                | MgSO4 2000                           | 7,5     | 15          |
| 12                 | 100             | 25                              | 50                                  | -                                    | 7,5     | 50          |

**TW RO:** Residential RO - **XLP RO:** Extra Low Pressure - **BW:** Brackish Water - **SW:** Sea Water - **TW NF:** Industrial NF - **LP:** Low Pressure - **FR:** Sea Water - **NF:** Nano Filtration

| Certificati | Produttore | Settori                             |
|-------------|------------|-------------------------------------|
| DM174-2004  | Vontron    | Domestico, Commerciale, Industriale |



## Membrane CSM



| Codice       | Descrizione                  | Fam. | Sotto Fam. | Disp. Stock |  |
|--------------|------------------------------|------|------------|-------------|--|
| MCRE1812-HR+ | MEMBRANA CSM 1.8" RE1812-HR+ | 30   | 150        | NO          |  |
| MCRE2012-150 | MEMBRANA CSM 2" RE2012-150   | 30   | 150        | OK          |  |
| MCRE2012-400 | MEMBRANA CSM 2" RE2012-400   | 30   | 150        | OK          |  |
| MCRE2012-LP  | MEMBRANA CSM 2" RE2012-LP    | 30   | 150        | OK          |  |
| MCRE2012-LPF | MEMBRANA CSM 2" RE2012-LPF   | 30   | 150        | OK          |  |
| MCRE2812-300 | MEMBRANA CSM 2.8" RE2812-300 | 30   | 155        | OK          |  |
| MCRE3012-500 | MEMBRANA CSM 3" RE3012-500   | 30   | 165        | OK          |  |
| MCRE3512-600 | MEMBRANA CSM 3.5" RE3512-600 | 30   | 155        | OK          |  |
| MCRE2540-BLN | MEMBRANA CSM 2.5" RE2540-BLN | 30   | 160        | OK          |  |
| MCRE2540-BLF | MEMBRANA CSM 2.5" RE2540-BLF | 30   | 160        | OK          |  |
| MCRE2540-BLR | MEMBRANA CSM 2.5" RE2540-BLR | 30   | 160        | OK          |  |
| MCRE4021-BLN | MEMBRANA CSM 4" RE4021-BLN   | 30   | 165        | OK          |  |
| MCRE4021-BLF | MEMBRANA CSM 4" RE4021-BLF   | 30   | 165        | OK          |  |
| MCRE4040-BLN | MEMBRANA CSM 4" RE4040-BLN   | 30   | 165        | OK          |  |
| MCRE4040-BLF | MEMBRANA CSM 4" RE4040-BLF   | 30   | 165        | OK          |  |

| Codice       | Mod.  | Produzione GPD (m <sup>3</sup> /d) | Reiezione nominale NaCl (%) | Superficie m <sup>2</sup> (ft <sup>2</sup> ) | Spaziatore (mil) | Test | NSF |
|--------------|-------|------------------------------------|-----------------------------|--|------------------|------|-----|
| MCRE1812-HR+ | TW RO | 80 (0,30)                          | 99                          |  | X                | 6    | 58  |
| MCRE2012-150 | TW RO | 150 (0,57)                         | 98                          | 0,59 (6,4)                                   | X                | 6    | 58  |
| MCRE2012-400 | TW RO | 400 (1,52)                         | 96                          |  | X                | 6    | 58  |
| MCRE2012-LP  | TW RO | 50 (0,19)                          | 93                          |  | X                | 7    | 58  |
| MCRE2012-LPF | TW RO | 60 (0,22)                          | 93                          |  | X                | 7    | 58  |
| MCRE2812-300 | TW RO | 350 (1,32)                         | 97                          |  | X                | 6    | 61  |
| MCRE3012-500 | TW RO | 500 (1,90)                         | 97                          |  | X                | 10   | X   |
| MCRE3512-600 | TW RO | 600 (2,27)                         | 95                          |  | X                | 9    | X   |
| MCRE2540-BLN | LP    | 930 (3,50)                         | 99,2                        | 2,5 (27)                                     | X                | 2    | X   |
| MCRE2540-BLF | LP    | 930 (3,50)                         | 99,2                        | 2,5 (27)                                     | X                | 3    | X   |
| MCRE2540-BLR | LP    | 740 (2,80)                         | 99,4                        | 2,5 (27)                                     | X                | 2    | X   |
| MCRE4021-BLN | LP    | 1200 (4,50)                        | 99,2                        | 3,3 (35)                                     | X                | 2    | X   |
| MCRE4021-BLF | LP    | 1200 (4,50)                        | 99,2                        | 3,3 (35)                                     | X                | 3    | 61  |
| MCRE4040-BLN | LP    | 2600 (9,80)                        | 99,4                        | 7,9 (85)                                     | X                | 2    | 61  |
| MCRE4040-BLF | LP    | 2500 (9,50)                        | 99,2                        | 7,9 (85)                                     | X                | 3    | 61  |



## Membrane CSM

| Codice          | Descrizione                   | Fam. | Sotto Fam. | Disp. Stock |  |
|-----------------|-------------------------------|------|------------|-------------|--|
| MCRE4040-BLR    | MEMBRANA CSM 4" RE4040-BLR    | 30   | 165        | OK          |  |
| MCRE8040-BLN    | MEMBRANA CSM 8" RE8040-BLN    | 35   | 190        | OK          |  |
| MCRE8040-BLN440 | MEMBRANA CSM 8" RE8040-BLN440 | 35   | 190        | OK          |  |
| MCRE8040-BLR    | MEMBRANA CSM 8" RE8040-BLR    | 35   | 190        | OK          |  |
| MCRE8040-BLR440 | MEMBRANA CSM 8" RE8040-BLR440 | 35   | 190        | OK          |  |
| MCRE8040-BLF    | MEMBRANA CSM 8" RE8040-BLF    | 35   | 190        | OK          |  |
| MCRE8040-BLF440 | MEMBRANA CSM 8" RE8040-BLF440 | 35   | 190        | OK          |  |
| MCRE2540-BE     | MEMBRANA CSM 2.5" RE2540-BE   | 30   | 160        | OK          |  |
| MCRE4021-BE     | MEMBRANA CSM 4" RE4021-BE     | 30   | 165        | OK          |  |
| MCRE4040-BE     | MEMBRANA CSM 4" RE4040-BE     | 30   | 165        | OK          |  |
| MCRE8040-BE440  | MEMBRANA CSM 8" RE8040-BE440  | 35   | 190        | OK          |  |
| MCRE8040-BE34   | MEMBRANA CSM 8" RE8040-BE34   | 35   | 190        | OK          |  |
| MCRE2540-FEn    | MEMBRANA CSM 2.5" RE2540-FEn  | 30   | 160        | NO          |  |
| MCRE4040-FEn    | MEMBRANA CSM 4" RE4040-FEn    | 30   | 165        | OK          |  |
| MCRE8040-FEn34  | MEMBRANA CSM 8" RE8040-FEn34  | 35   | 190        | OK          |  |
| MCRE8040-FEn    | MEMBRANA CSM 8" RE8040-FEn    | 35   | 190        | NO          |  |

| Codice          | Mod. | Produzione GPD (m³/d) | Reiezione nominale NaCl (%) | Superficie m2 (ft2) | Spaziatore (mil) | Test | NSF |
|-----------------|------|-----------------------|-----------------------------|---------------------|------------------|------|-----|
| MCRE4040-BLR    | LP   | 2100 (7,90)           | 99,6                        | 7,9 (85)            | X                | 2    | 61  |
| MCRE8040-BLN    | LP   | 12000 (45,40)         | 99,5                        | 37,2 (400)          | X                | 2    | 61  |
| MCRE8040-BLN440 | LP   | 13000 (49,20)         | 99,5                        | 40,9 (440)          | X                | 2    | 61  |
| MCRE8040-BLR    | LP   | 10000 (37,90)         | 99,6                        | 37,2 (400)          | X                | 2    | 61  |
| MCRE8040-BLR440 | LP   | 11000 (41,60)         | 99,6                        | 40,9 (440)          | X                | 2    | 61  |
| MCRE8040-BLF    | LP   | 11500 (43,50)         | 99,2                        | 37,2 (400)          | X                | 3    | 61  |
| MCRE8040-BLF440 | LP   | 12650 (47,90)         | 99,2                        | 40,9 (440)          | X                | 3    | X   |
| MCRE2540-BE     | BW   | 1000 (3,80)           | 99,5                        | 2,5 (27)            | X                | 1    | 61  |
| MCRE4021-BE     | BW   | 1200 (4,50)           | 99,5                        | 3,3 (35)            | X                | 1    | X   |
| MCRE4040-BE     | BW   | 2400 (9,10)           | 99,7                        | 7,9 (85)            | X                | 1    | 61  |
| MCRE8040-BE440  | BW   | 12000 (45,40)         | 99,7                        | 40,9 (440)          | X                | 1    | 61  |
| MCRE8040-BE34   | BW   | 11000 (41,60)         | 99,7                        | 37,2 (400)          | 34               | 1    | 61  |
| MCRE2540-FEn    | FR   | 1000 (3,80)           | 99,5                        | 2,5 (27)            | X                | 1    | X   |
| MCRE4040-FEn    | FR   | 2400 (9,10)           | 99,7                        | 7,9 (85)            | X                | 1    | X   |
| MCRE8040-FEn34  | FR   | 11000 (41,60)         | 99,7                        | 37,2 (400)          | 34               | 1    | 61  |
| MCRE8040-FEn    | FR   | 11000 (41,60)         | 99,7                        | 37,2 (400)          | X                | 1    | 61  |



## Membrane CSM

| Codice       | Descrizione                  | Fam. | Sotto Fam. | Disp. Stock |  |
|--------------|------------------------------|------|------------|-------------|--|
| MCRE2540-FHF | MEMBRANA CSM 2.5" RE2540-FHF | 30   | 160        | OK          |  |
| MCNE2540-90  | MEMBRANA CSM 2.5" NE2540-90  | 30   | 160        | OK          |  |
| MCNE4040-90  | MEMBRANA CSM 4" NE4040-90    | 30   | 165        | OK          |  |

| Codice       | Mod. | Produzione GPD (m <sup>3</sup> /d) | Reiezione nominale NaCl (%) | Superficie m2 (ft2) | Spaziatore (mil) | Test | NSF |
|--------------|------|------------------------------------|-----------------------------|---------------------|------------------|------|-----|
| MCRE2540-FHF | SW   | 1200 (4,60)                        | 99,4                        | 2,5 (27)            | X                | 4    | X   |
| MCNE2540-90  | NF   | 540 (2,00)                         | 90-97                       | 2,5 (27)            | X                | 5    | X   |
| MCNE4040-90  | NF   | 1700 (6,40)                        | 90-97                       | 7,9 (85)            | X                | 5    | 61  |

| Condizioni di Test | Pressione (psi) | Temperatura soluzione (°C) | Concentrazione soluzione NaCl (ppm) | Concentrazione soluzione CaCl2 (ppm) | pH      | Recupero(%) |
|--------------------|-----------------|----------------------------|-------------------------------------|--------------------------------------|---------|-------------|
| 1                  | 225             | 25                         | 2000                                | -                                    | 6,5-7,0 | 8 ± 15%     |
| 2                  | 150             | 25                         | 1500                                | -                                    | 6,5-7,0 | 8 ± 15%     |
| 3                  | 100             | 25                         | 500                                 | -                                    | 6,5-7,0 | 8 ± 15%     |
| 4                  | 800             | 25                         | 32000                               | -                                    | 6,5-7,0 | 4 ± 8%      |
| 5                  | 75              | 25                         | 2000                                | 500                                  | 6,5-7,0 | 15%         |
| 6                  | 60              | 25                         | 200                                 | -                                    | 6,5-7,0 | 15%         |
| 7                  | 20              | 25                         | 100                                 | -                                    | 6,5-7,0 | 15%         |
| 8                  | 60              | 25                         | 250                                 | -                                    | 6,5-7,0 | 15%         |
| 9                  | 60              | 25                         | 200                                 | -                                    | 6,5-7,0 | 30%         |
| 10                 | 80              | 25                         | 200                                 | -                                    | 6,5-7,0 | 40%         |
| 11                 | 150             | 25                         | 2000                                | -                                    | 6,5-7,0 | 15%         |

**TW RO:** Residential RO - **LP:** Low Pressure - **BW:** Brackish Water - **SW:** Sea Water - **TW NF:** Industrial NF - **FR:** Fouling Resistant - **CR:** Chlorine Resistant - **NF:** Nano Filtration **Produttore:** CSM

| Certificati | Produttore | Settori                             |
|-------------|------------|-------------------------------------|
| DM174-2004  | CSM        | Domestico, Commerciale, Industriale |



## Membrane CSM Brine Seal e Interconnector

Ogni membrana è fornita con un brine seal e un interconnector (eccetto le membrane 2,5" in cui l'interconnector non è compreso).

| Codice | Descrizione              | Fam. | Sotto Fam. | Disp. Stock |  |
|--------|--------------------------|------|------------|-------------|--|
| DC005  | EPDM BRINE SEAL 2.5" CSM | 30   | 160        | OK          |  |
| DD003  | EPDM BRINE SEAL 4" CSM   | 30   | 165        | OK          |  |
| EA798  | EPDM BRINE SEAL 8" CSM   | 35   | 190        | OK          |  |

| Codice | Descrizione              | Materiale | Per Membrane |
|--------|--------------------------|-----------|--------------|
| DC005  | EPDM BRINE SEAL 2.5" CSM | EPDM      | 2,5"         |
| DD003  | EPDM BRINE SEAL 4" CSM   | EPDM      | 4"           |
| EA798  | EPDM BRINE SEAL 8" CSM   | EPDM      | 8"           |

| Certificati | Produttore | Settori                |
|-------------|------------|------------------------|
| DM174-2004  |            | Domestico, Industriale |

| Codice | Descrizione   | Fam. | Sotto Fam. | Disp. Stock |  |
|--------|---|------|------------|-------------|--|
| DD004  | ABS FEMALE INTERCONNECTOR CSM 2.5" & 4" WITH O-RING - WHITE COLOR   | 30   | 165        | OK          |  |
| EA799  | ABS MALE INTERCONNECTOR 1.125" CSM WITH O-RING -BW TYPE BLACK COLOR | 35   | 190        | OK          |  |

| Codice | Materiale | Colore | Per Membrane |
|--------|-----------|--------|--------------|
| DD004  | ABS       | Bianco | 2,5" - 4"    |
| EA799  | ABS       | Nero   | 8"           |

| Certificati | Produttore | Settori                |
|-------------|------------|------------------------|
| DM174-2004  |            | Domestico, Industriale |



## Permascale EUT 110



- Ideale per prevenire le incrostazioni e i depositi di ferro sulle membrane degli impianti ad osmosi inversa;
  - Utilizzabile sia per impianti industriali che per impianti per acqua potabile;
  - Particolarmente adatto per impianti di grosse dimensioni con portate di permeato maggiori di 100 m<sup>3</sup>/giorno.
  - Perfettamente compatibile con tutti i tipi di membrane;
  - Estremamente efficace sulle diverse tipologie di acqua, minimizza lo sporco e riduce la frequenza degli interventi di pulizia delle membrane;
  - Sostituisce totalmente o parzialmente l'acidificazione;
  - La forma liquida ne semplifica l'utilizzo.
- Modalità di impiego**
- Iniezione per mezzo di una pompa dosatrice del prodotto puro (direttamente dal suo imballo) o diluito, con dosaggio in funzione della concentrazione dei sali incrostanti e del ferro (indicativamente può variare da 2 a 10 cm<sup>3</sup>/m<sup>3</sup> di acqua di alimento).
- Norme di utilizzo e confezionamento**
- Manipolazione: si rimanda alla scheda di sicurezza. Adottare le principali precauzioni d'uso legate alla manipolazione dei prodotti chimici.
  - Imballo: taniche da 20 kg.
  - Conservazione: negli imballi originali ben chiusi, in un locale fresco al riparo dal freddo intenso e dal calore eccessivo.

| Caratteristiche:    |                       |
|---------------------|-----------------------|
| Formulazione        | fosfonati speciali    |
| pH                  | 7,8 ± 0,5             |
| Aspetto             | liquido giallo chiaro |
| Densità a 20°C      | 1,30 ± 0,05 g/ml      |
| Controllo           | tenore in fosfonati   |
| Solubilità in acqua | completa              |

| Codice | Descrizione                        | Fam. | Sotto Fam. | Disp. Stock |  |
|--------|------------------------------------|------|------------|-------------|--|
| EA100  | MWG PERMASCALE EUT 110 CONF. 20 KG | 35   | 191        | OK          |  |

| Certificati | Produttore | Settori                  |
|-------------|------------|--------------------------|
|             | <b>MWG</b> | Commerciale, Industriale |



## Permascale EUT 120



- Ideale per prevenire le incrostazioni e i depositi di ferro sulle membrane degli impianti ad osmosi inversa;
- Particolarmente adatto per impianti di piccole dimensioni con portate di permeato minori di 100 m<sup>3</sup>/giorno.
- Perfettamente compatibile con tutti i tipi di membrane;
- Estremamente efficace sulle diverse tipologie di acqua, minimizza lo sporco e riduce la frequenza degli interventi di pulizia delle membrane;
- Sostituisce totalmente o parzialmente l'acidificazione;
- La forma liquida ne semplifica l'utilizzo.

### Modalità di impiego

- Iniezione per mezzo di una pompa dosatrice del prodotto puro (direttamente dal suo imballo) o diluito, con dosaggio in funzione della concentrazione dei sali incrostanti e del ferro (indicativamente può variare da 3 a 13 cm<sup>3</sup>/m<sup>3</sup> di acqua di alimento).

### Norme di utilizzo e confezionamento

- Manipolazione: si rimanda alla scheda di sicurezza. Adottare le principali precauzioni d'uso legate alla manipolazione dei prodotti chimici.
- Imballo: taniche da 20 kg.
- Conservazione: negli imballi originali ben chiusi, in un locale fresco al riparo dal freddo intenso e dal calore eccessivo

| Caratteristiche     |                       |
|---------------------|-----------------------|
| Formulazione        | fosfonati speciali    |
| pH                  | 7,5 ± 0,5             |
| Aspetto             | liquido giallo chiaro |
| Densità a 20°C      | 1,30 ± 0,02 g/ml      |
| Controllo           | tenore in fosfonati   |
| Solubilità in acqua | completa              |

| Codice | Descrizione                        | Fam. | Sotto Fam. | Disp. Stock |
|--------|------------------------------------|------|------------|-------------|
| EA101  | MWG PERMASCALE EUT 120 CONF. 20 KG | 35   | 191        | OK          |

| Box: LxPxH | Box: Q.tà | Box: Peso | Pallet: LxPxH | Pallet: Q.tà | Pallet: Peso |
|------------|-----------|-----------|---------------|--------------|--------------|
|            |           |           |               |              |              |

| Certificati | Produttore | Settori                  |
|-------------|------------|--------------------------|
|             | <b>MWG</b> | Commerciale, Industriale |



## Moduli di Ultrafiltrazione MWG UF10 e UF20

- Membrane di ultrafiltrazione in PVDF;
- Cut Off nominale MWCO < 150.000 Dalton;
- Direzione del flusso outside to inside;
- Diametro fibra outside / inside 1,4/0,8 mm;
- Fibra cava in PVDF di lunga durata grazie alla elevata resistenza meccanica e chimica dei materiali;
- Alta permeabilità e diametro nominale poro 30 nm;
- Rimuovono virus, batteri e particelle, incluse sostanze colloidali;
- La qualità di acqua prodotta è < 0,2 NTU;
- Corpo e coperchio del modulo in PVC-U;
- Connessioni DN25;
- Modalità operative dead end / crossflow;
- Parametri operativi: temperatura 1-40° C; pH 2-11;
- Flusso di acqua filtrata @ 25 °: 45-180 l/m<sup>2</sup> h;
- Capacità di filtrazione MMUF10= 0,45-1,80 m<sup>3</sup>/h; MMUF20=0,90-3,60 m<sup>3</sup>/h;
- Pressione in ingresso @ 25 °: 2-3 bar (max istantanea 5 bar); TMP= 0.4-2 bar;
- SDI acqua filtrata < 2,5;
- Torbidità acqua filtrata < 0.2 NTU.

| Codice | Descrizione                       | Fam. | Sotto Fam. | Disp. Stock |  |
|--------|-----------------------------------|------|------------|-------------|--|
| MMUF10 | MODULO ULTRAFILTRAZIONE MWG 10 M2 | 35   | 188        | NO          |  |
| MMUF20 | MODULO ULTRAFILTRAZIONE MWG 20 M2 | 35   | 188        | NO          |  |

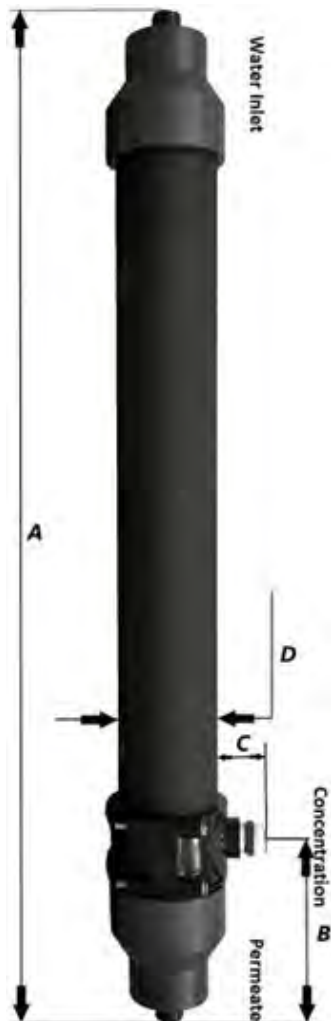
| Codice | Superficie attiva (m <sup>2</sup> ) | A (mm) | B (mm) | C (mm) | D (mm) | Peso (kg) | Flusso (m <sup>3</sup> /h) |
|--------|-------------------------------------|--------|--------|--------|--------|-----------|----------------------------|
| MMUF10 | 10                                  | 1086   | 190    | 50     | 110    | 10        | 0,45 - 1,80                |
| MMUF20 | 20                                  | 1110   | 245    | 50     | 140    | 18        | 0,90 - 3,60                |

Specifiche acqua in ingresso

| Parametro                      | Unità di misura | Valore                  |
|--------------------------------|-----------------|-------------------------|
| Temperatura                    | ° C             | 25 (max 40)             |
| Dimensione particella          | micron          | < 300                   |
| Torbidità                      | NTU             | 50 (max 250)            |
| Olii e grassi                  | mg/l            | 0 (max 1)               |
| pH                             | -               | 6-9                     |
| Carbonio organico totale (TOC) | mg/l            | < 10 (max 30)           |
| Solidi sospesi totali (TSS)    | mg/l            | 50 (max 80)             |
| Cloro                          | mg/l            | 0.4 (istantaneo max 50) |

| Pulizia, disinfezione e soluzione conservativa           |   |
|--|---|
| Pulizia  |   |
| Pressione di controlavaggio                              | max 2,5 bar   |
| Portata aria   | max 20 Nm <sup>3</sup> /h                                     |
| Pressione aria   | 600 - 800 mbar  |
| Chemically Enhanced Backwash (CEB)                       |   |
| Ipoclorito di sodio (NaOCl)                              | 1000 mg/l   |
| Idrossido di sodio (NaOH)                                | 500 mg/l  |
| Acido cloridrico (HCl)                                   | 1000 mg/l   |
| Acido citrico  | 1 - 2 %   |
| Clean-in-Place (CIP)                                     |   |
| Frequenza  | TMP corrente (bar) ≥ TMP iniziale (bar) + 0,9 bar             |
| Durata dell'esercizio                                    | 2 ore   |
| Soluzione chimica del lavaggio (in base al contaminante) | 0,1 % NaOH + 0,2 % NaOCl      0,2 % HCl + 0,2 % acido citrico |
| Portata di lavaggio per modulo                           | 1 - 2 m <sup>3</sup> /h                                       |

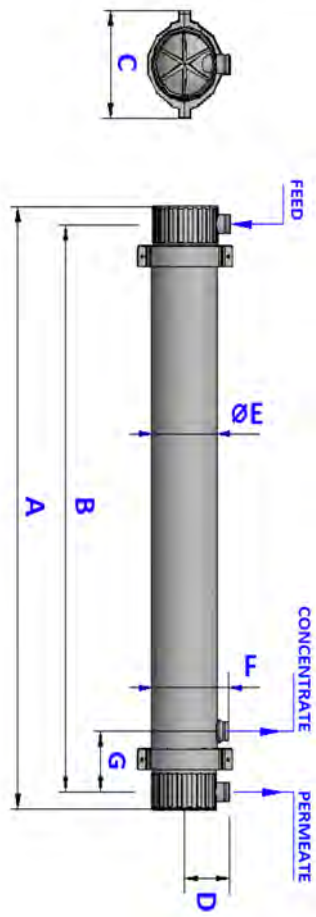
| Certificati | Produttore | Settori     |
|-------------|------------|-------------|
|             | <b>MWG</b> | Industriale |







## Moduli di Ultrafiltrazione MWG UF80



- Membrane di ultrafiltrazione in PVDF;
- Cut Off nominale MWCO < 150.000 Dalton;
- Direzione del flusso outside to inside;
- Diametro fibra outside / inside 1,4/0,8 mm;
- Fibra cava in PVDF di lunga durata grazie alla elevata resistenza meccanica e chimica dei materiali;
- Alta permeabilità e diametro nominale poro 30 nm;
- Rimuovono virus, batteri e particelle, incluse sostanze colloidali;
- La qualità di acqua prodotta è < 0,2 NTU;
- Corpo e coperchio del modulo in PVC-U;
- Connessioni DN50 con estremità scanalate;
- Modalità operative dead end / crossflow;
- Parametri operativi: temperatura 1-40° C; pH 2-11;
- Flusso di acqua filtrata @ 25 °: 45-180 l/m<sup>2</sup> h;
- Capacità di filtrazione 3,6-14,4 m<sup>3</sup>/h;
- Pressione in ingresso @ 25 °: 2-3 bar (max istantanea 5 bar); TMP= 0.4-2 bar;
- SDI acqua filtrata < 2,5;
- Torbidità acqua filtrata < 0.2 NTU.

| Codice | Descrizione                       | Fam. | Sotto Fam. | Disp. Stock |
|--------|-----------------------------------|------|------------|-------------|
| MMUF80 | MODULO ULTRAFILTRAZIONE MWG 80 M2 | 35   | 188        | NO          |

| Codice | Superficie attiva (m <sup>2</sup> ) | A (mm) | B (mm) | C (mm) | D (mm) | F (mm) | G (mm) |
|--------|-------------------------------------|--------|--------|--------|--------|--------|--------|
| MMUF80 | 80                                  | 2038   | 1917   | 360    | 172    | 289    | 205    |

### Specifiche acqua in ingresso

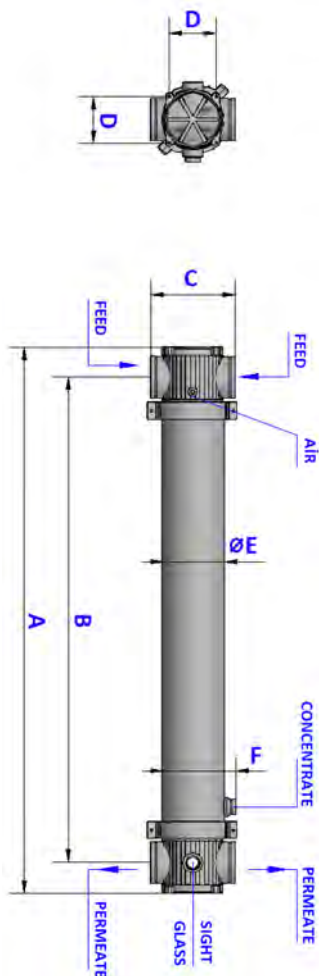
| Parametro                      | Unità di misura | Valore                   |
|--------------------------------|-----------------|--------------------------|
| Temperatura                    | ° C             | 25 (max 40)              |
| Dimensione particella          | micron          | < 300                    |
| Torbidità                      | NTU             | 50 (max 250)             |
| Olii e grassi                  | mg/l            | 0 (max 1)                |
| pH                             | -               | 6-9                      |
| Carbonio organico totale (TOC) | mg/l            | < 10 (max 30)            |
| Solidi sospesi totali (TSS)    | mg/l            | 50 (max 80)              |
| Cloro                          | mg/l            | 0.4 (istantaneo max 150) |

| Pulizia, disinfezione e soluzione conservativa           |   |
|--|---|
| Pulizia  |   |
| Pressione di controlavaggio                              | max 2,5 bar   |
| Portata aria   | max 20 Nm <sup>3</sup> /h                                   |
| Pressione aria   | 600 - 800 mbar  |
| Chemically Enhanced Backwash (CEB)                       |   |
| Ipoclorito di sodio (NaOCl)                              | 1000 mg/l   |
| Idrossido di sodio (NaOH)                                | 500 mg/l  |
| Acido cloridrico (HCl)                                   | 1000 mg/l   |
| Acido citrico  | 1 - 2 %   |
| Clean-in-Place (CIP)                                     |   |
| Frequenza  | TMP corrente (bar) ≥ TMP iniziale (bar) + 0,9 bar           |
| Durata dell'esercizio                                    | 2 ore   |
| Soluzione chimica del lavaggio (in base al contaminante) | 0,1 % NaOH + 0,2 % NaOCl    0,2 % HCl + 0,2 % acido citrico |
| Portata di lavaggio per modulo                           | 1 - 2 m <sup>3</sup> /h                                     |

| Certificati | Produttore | Settori     |
|-------------|------------|-------------|
|             | <b>MWG</b> | Industriale |



## Moduli di Ultrafiltrazione MWG UF80T



- Membrane di ultrafiltrazione in PVDF;
- Cut Off nominale MWCO < 150.000 Dalton;
- Direzione del flusso outside to inside;
- Diametro fibra outside / inside 1,4/0,8 mm;
- Fibra cava in PVDF di lunga durata grazie alla elevata resistenza meccanica e chimica dei materiali;
- Alta permeabilità e diametro nominale poro 30 nm;
- Rimuovono virus, batteri e particelle, incluse sostanze colloidali;
- La qualità di acqua prodotta è < 0,2 NTU;
- Corpo e coperchio del modulo in PVC-U;
- Connessioni DN50 con estremità scanalate;
- Modalità operative dead end / crossflow;
- Parametri operativi: temperatura 1-40° C; pH 2-11;
- Flusso di acqua filtrata @ 25 °: 45-180 l/m<sup>2</sup> h;
- Capacità di filtrazione 3,6-14,4 m<sup>3</sup>/h;
- Pressione in ingresso @ 25 °: 2-3 bar (max istantanea 5 bar); TMP= 0.4-2 bar;
- SDI acqua filtrata < 2,5;
- Torbidità acqua filtrata < 0.2 NTU.

| Codice  | Descrizione                         | Fam. | Sotto Fam. | Disp. Stock |
|---------|-------------------------------------|------|------------|-------------|
| MMUF80T | MODULO ULTRAFILTRAZIONE MWG 80 M2 T | 35   | 188        | NO          |

| Codice  | Superficie attiva (m <sup>2</sup> ) | A (mm) | B (mm) | C (mm) | D (mm) | E (mm) | F (mm) |
|---------|-------------------------------------|--------|--------|--------|--------|--------|--------|
| MMUF80T | 80                                  | 2216   | 1968   | 344    | 190    | 250    | 289    |

### Specifiche acqua in ingresso

| Parametro                      | Unità di misura | Valore                   |
|--------------------------------|-----------------|--------------------------|
| Temperatura                    | ° C             | 25 (max 40)              |
| Dimensione particella          | micron          | < 300                    |
| Torbidità                      | NTU             | 50 (max 250)             |
| Olii e grassi                  | mg/l            | 0 (max 1)                |
| pH                             | -               | 6-9                      |
| Carbonio organico totale (TOC) | mg/l            | < 10 (max 30)            |
| Solidi sospesi totali (TSS)    | mg/l            | 50 (max 80)              |
| Cloro                          | mg/l            | 0.4 (istantaneo max 150) |

| Pulizia, disinfezione e soluzione conservativa           |   |
|--|---|
| Pulizia  |   |
| Pressione di controlavaggio                              | max 2,5 bar   |
| Portata aria   | max 20 Nm <sup>3</sup> /h                                   |
| Pressione aria   | 600 - 800 mbar  |
| Chemically Enhanced Backwash (CEB)                       |   |
| Ipoclorito di sodio (NaOCl)                              | 1000 mg/l   |
| Idrossido di sodio (NaOH)                                | 500 mg/l  |
| Acido cloridrico (HCl)                                   | 1000 mg/l   |
| Acido citrico  | 1 - 2 %   |
| Clean-in-Place (CIP)                                     |   |
| Frequenza  | TMP corrente (bar) ≥ TMP iniziale (bar) + 0,9 bar           |
| Durata dell'esercizio                                    | 2 ore   |
| Soluzione chimica del lavaggio (in base al contaminante) | 0,1 % NaOH + 0,2 % NaOCl    0,2 % HCl + 0,2 % acido citrico |
| Portata di lavaggio per modulo                           | 1 - 2 m <sup>3</sup> /h                                     |

| Certificati | Produttore | Settori     |
|-------------|------------|-------------|
|             | <b>MWG</b> | Industriale |