



VESSEL AND ACCESSORIES, ROTARY PUMPS

MWG



Vessel for Residential Elements

1,8" - 2"

- material PP white; connections 1/8" NPT F; max pressure 125 psi (8,6 bar);
- double o-ring; permeate tube seat diameter = 0,67"; nominal dimension 1812 - 2012.

Membranes coupling: CSM 1,8" - 2" residential membranes,

Ref	Description	Fam.	Subfam.	Disp. Stock	
DE010	MEMBRANE VESSEL 1812 IN P.P.	30	175	OK	

Box: WxLxH	Box: Q.ty	Box: Weight	Pallet: WxLxH	Pallet: Q.ty	Pallet: Weight

Certificates	Manufacturer	Sectors
DM174-2004		Domestic



Single mounting clips for vessel residential 1,8" - 2" membranes

- material PP; white colour.

Ref	Description	Fam.	Subfam.	Disp. Stock	
DE034	MWG SINGLE CLIP 2.5"	30	175	OK	

Certificates	Manufacturer	Sectors
	MWG	Domestic



2,8" - 3"

- material PP white;
- permeate tube seat diameter = 0,67";
- nominal dimension 2812-3012 (DE007) or 3013 (DE008);
- max pressure 125 psi (8,6 bar);
- For DE007: feed, permeate and concentrate 3/8" NPT F (please, use our fittings ref. AV153 or elbows ref. AV159);
- For DE008: feed and concentrate 3/8" tube, permeate 1/4" tube, all quick connection type included;
- For DE008, it is available a Wrench (ref. DE001), to order separately.

• **Membranes coupling:** 2,8" and 3" residential membranes.

Ref	Description	Fam.	Subfam.	Disp. Stock	
DE007	MEMBRANE VESSEL 3012 IN P.P.	30	175	OK	
DE008	MEMBRANE VESSEL 3013 IN PP	30	175	OK	

Box: WxLxH	Box: Q.ty	Box: Weight	Pallet: WxLxH	Pallet: Q.ty	Pallet: Weight

Certificates	Manufacturer	Sectors
DM174-2004		Domestic



Single mounting clips for vessel residential 3" membranes

- material PP; white colour.

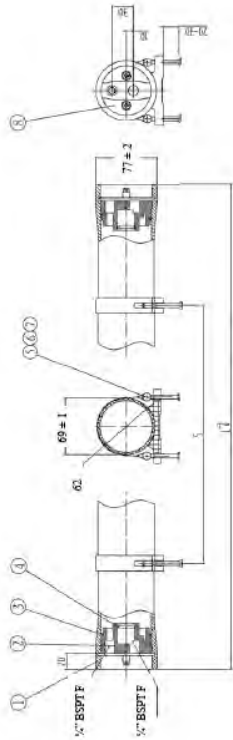
Ref	Description	Fam.	Subfam.	Disp. Stock	
DE006	MWG SINGLE CLIP 3"	30	175	OK	

Certificates	Manufacturer	Sectors
	MWG	Domestic





2 1/2" Membrane Vessels End Port Series 300 E-2.5



- Fiberglass reinforced plastic pressure vessels series 300 E-2.5, D.75" direct connection, white painted, UVA-ray proof material;
- End-cap in ABS;
- Max operating pressure 300 psi (21 bar);
- European 2014/68/EU Directive compliant for pressure equipment (PED);
- Built in accordance with ASME code section X;
- Each vessel is factory tested at 1,5 times max operating pressure;
- Connections: feed/concentrate 1/4" BSPT F, permeate 1/4" BSPT F;
- Operating pH Range: 3 ÷ 11 Cleaning pH Range: 2 ÷ 12 (less than 30 minutes);
- Straps and saddles included.

Ref	Description	Fam.	Subfam.	Disp. Stock
H2E1BQ	MWG RO VESSEL FRP 2,5" END-PORT 300 PSI 2514 1/4"BSPT F - 1/4" BSPT F	30	180	OK
H2E1BV	MWG RO VESSEL FRP 2,5" END-PORT 300 PSI 2521 1/4"BSPT F - 1/4" BSPT F	30	180	OK
H2E1B1	MWG RO VESSEL FRP 2,5" END-PORT 300 PSI 2540 1/4"BSPT F - 1/4" BSPT F	30	180	OK

Ref	Elements	L (mm)	S (mm)
H2E1BQ	1 x 14"	427	200
H2E1BV	1 x 21"	605	400
H2E1B1	1 x 40"	1088	700

Ref	Box: WxLxH.	Box: Qnt.	Box: Weight.	Pallet: WxLxH.	Pallet: Qnt.	Pallet: Weight.
H2E1BQ						
H2E1BV						
H2E1B1						

Certificates	Manufacturer	Sectors
DM174-2004 CE	MWG	Commercial

Spare parts

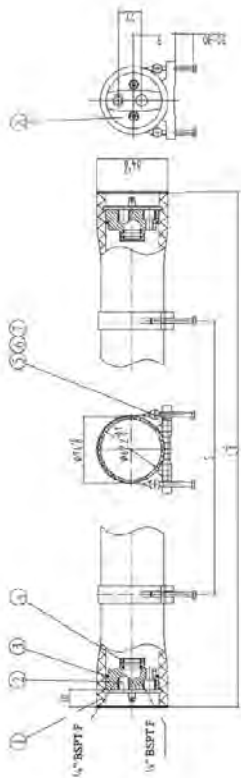
Ref	Description	Fam.	Subfam.	Disp. Stock
H2R011	MWG 2,5" MPV END PLATE IN ABS F/C/P 1/4" BSPT FOR300 PSI	30	180	OK
H2R103	MWG 2,5" MPV HEAD SEAL IN EPDM FOR 300÷1000 PSI	30	180	OK
H2R101	MWG 2,5" & 4" MPV ADAPTER SEAL IN EPDM FOR 300÷1200 PSI	30	180	OK
H2R001	MWG 2.5" MPV SADDLE FOR 300-1000 PSI	30	180	OK
H2R003	MWG 2.5" MPV STRAP FOR 300 PSI L=160 MM	30	180	OK
H2R041	MWG 2,5" MPV SEEGER IN AISI 316 FOR 300-1000 PSI	30	180	OK

Spare parts

Item	Ref	Q.ty for each MPV	Material	Note
2 + 4	H2R011	2	ABS	
3	H2R103	2	EPDM	56 x 3,55
4	H2R101	2	EPDM	19 x 2,65
5	H2R001	2	Rubber	
7 + 6	H2R003	2	AISI 304 - Rubber	
8	H2R041	4	AISI 304	



2 1/2" Membrane Vessels End Port Series 1000 E-2.5



- Fiberglass reinforced plastic pressure vessels series 1000 E-2.5, D.75" direct connection, white painted, UVA-ray proof material;
- End-cap in super duplex steel AISI 2507;
- Max operating pressure 1000 psi (69 bar);
- European 2014/68/EU Directive compliant for pressure equipment (PED);
- Built in accordance with ASME code section X;
- Each vessel is factory tested at 1,5 times max operating pressure;
- Connections: feed/concentrate 1/4" BSPT F, permeate 1/4" BSPT F;
- Operating pH Range: 3 ÷ 11 Cleaning pH Range: 2 ÷ 12 (less than 30 minutes);
- Straps and saddles included.

Ref	Description	Fam.	Subfam.	Disp. Stock
H2E1GV	MWG RO VESSEL FRP 2,5" END-PORT 1000 PSI 2521 1/4"BSPT F - 1/4" BSPT F	30	180	OK
H2E1G1	MWG RO VESSEL FRP 2,5" END-PORT 1000 PSI 2540 1/4"BSPT F - 1/4" BSPT F	30	180	OK

Ref	Elements	L (mm)	S (mm)
H2E1GV	1 x 21"	629	400
H2E1G1	1 x 40"	1112	700

Ref	Box: WxLxH.	Box: Qnt.	Box: Weight.	Pallet: WxLxH.	Pallet: Qnt.	Pallet: Weight.
H2E1GV						
H2E1G1						

Certificates	Manufacturer	Sectors
DM174-2004 CE	MWG	Commercial

Spare parts

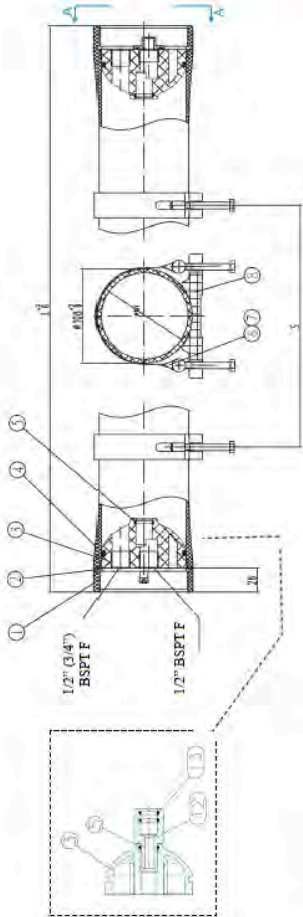
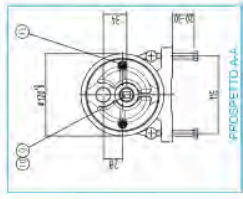
Ref	Description	Fam.	Subfam.	Disp. Stock
H2R013	MWG 2,5" MPV END PLATE IN AISI 2507SST F/C/P 1/4"BSPT FOR 1000 PSI	30	180	OK
H2R103	MWG 2,5" MPV HEAD SEAL IN EPDM FOR 300÷1000 PSI	30	180	OK
H2R101	MWG 2,5" & 4" MPV ADAPTER SEAL IN EPDM FOR 300÷1200 PSI	30	180	OK
H2R001	MWG 2.5" MPV SADDLE FOR 300-1000 PSI	30	180	OK
H2R041	MWG 2,5" MPV SEEGER IN AISI 316 FOR 300-1000 PSI	30	180	OK

Spare parts

Item	Ref	Q.ty for each MPV	Material	Note
2 + 4	H2R013	2	Super Duplex Steel AISI 2507	
3	H2R103	2	EPDM	56 x 3,55
4	H2R101	4	EPDM	19 x 2,65
5	H2R001	2	Rubber	
8	H2R041	4	AISI 304	



4" Membrane Vessels End Port Series 300 E-4



- Fiberglass reinforced plastic pressure vessels series 300 E-4, D.75" direct connection, white painted, UVA-ray proof material;
- End-cap in ABS;
- Max operating pressure 300 psi (21 bar);
- European 2014/68/EU Directive compliant for pressure equipment (PED);
- Built in accordance with ASME code section X;
- Each vessel is factory tested at 1,5 times max operating pressure;
- Permeate connections 1/2" BSPT F;
- Feed connections 1/2" BSPT F or 3/4" BSPT F;
- Operating pH Range: 3 ÷ 11 Cleaning pH Range: 2 ÷ 12 (less than 30 minutes);
- Straps and saddles included (n.2 pcs).

Ref	Description	Fam.	Subfam.	Disp. Stock	
H4E2BV	MWG RO VESSEL FRP 4" END-PORT 300 PSI 4021 1/2" BSPT F - 1/2" BSPT F	30	180	OK	
H4E3BV	MWG RO VESSEL FRP 4" END-PORT 300 PSI 4021 3/4" BSPT F - 1/2" BSPT F	30	180	OK	
H4E2B1	MWG RO VESSEL FRP 4" END-PORT 300 PSI 4040 1/2" BSPT F - 1/2" BSPT F	30	180	OK	
H4E3B1	MWG RO VESSEL FRP 4" END-PORT 300 PSI 4040 3/4" BSPT F - 1/2" BSPT F	30	180	OK	
H4E2B2	MWG RO VESSEL FRP 4" END-PORT 300 PSI 2EL 1/2" BSPT F - 1/2" BSPT F	30	180	OK	
H4E3B2	MWG RO VESSEL FRP 4" END-PORT 300 PSI 2EL 3/4" BSPT F - 1/2" BSPT F	30	180	OK	
H4E2B3	MWG RO VESSEL FRP 4" END-PORT 300 PSI 3EL 1/2" BSPT F - 1/2" BSPT F	30	180	OK	
H4E3B3	MWG RO VESSEL FRP 4" END-PORT 300 PSI 3EL 3/4" BSPT F - 1/2" BSPT F	30	180	OK	

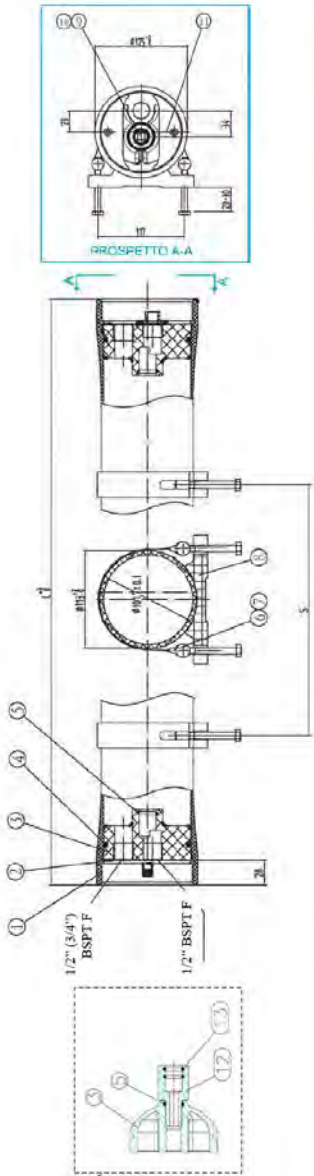
Ref	Elements	L (mm)	S (mm)
H4E2BV	1 x 21"	658	400
H4E3BV	1 x 21"	658	400
H4E2B1	1 x 40"	1140	600
H4E3B1	1 x 40"	1140	600
H4E2B2	2 x 40"	2156	1200
H4E3B2	2 x 40"	2156	1200
H4E2B3	3 x 40"	3172	2200
H4E3B3	3 x 40"	3172	2200

Certificates	Manufacturer	Sectors
DM174-2004 CE	MWG	Industrial



4" Membrane Vessels End Port Series 450 E-4

- Fiberglass reinforced plastic pressure vessels series 450 E-4, D.75" direct connection, white painted, UVA-ray proof material;
- End-cap in ABS;
- Max operating pressure 450 psi (31 bar);
- European 2014/68/EU Directive compliant for pressure equipment (PED);
- Built in accordance with ASME code section X;
- Each vessel is factory tested at 1,5 times max operating pressure;
- Permeate connections 1/2" BSPT F;
- Operating pH Range: 3 ÷ 11 Cleaning pH Range: 2 ÷ 12 (less than 30 minutes);
- Straps and saddles included (n.2 pcs).



Ref	Description	Fam.	Subfam.	Disp. Stock
H4E2C1	MWG RO VESSEL FRP 4" END-PORT 450 PSI 4040 1/2" BSPT F - 1/2" BSPT F	30	180	OK
H4E3C1	MWG RO VESSEL FRP 4" END-PORT 450 PSI 4040 3/4" BSPT F - 1/2" BSPT F	30	180	OK
H4E2C2	MWG RO VESSEL FRP 4" END-PORT 450 PSI 2EL 1/2" BSPT F - 1/2" BSPT F	30	180	OK
H4E3C2	MWG RO VESSEL FRP 4" END-PORT 450 PSI 2EL 3/4" BSPT F - 1/2" BSPT F	30	180	OK
H4E2C3	MWG RO VESSEL FRP 4" END-PORT 450 PSI 3EL 1/2" BSPT F - 1/2" BSPT F	30	180	OK
H4E3C3	MWG RO VESSEL FRP 4" END-PORT 450 PSI 3EL 3/4" BSPT F - 1/2" BSPT F	30	180	OK

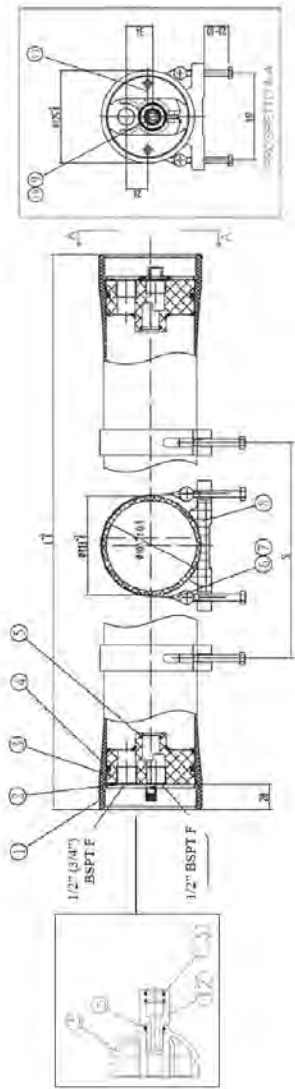
Ref	Elements	L (mm)	S (mm)
H4E2C1	1 x 40"	1152	600
H4E3C1	1 x 40"	1152	600
H4E2C2	2 x 40"	2168	1200
H4E3C2	2 x 40"	2168	1200
H4E2C3	3 x 40"	3184	2200
H4E3C3	3 x 40"	3184	2200

Certificates	Manufacturer	Sectors
DM174-2004 CE	MWG	Industrial



4" End Port Serie 300/450 PSI Vessels Spare Parts

Spare parts

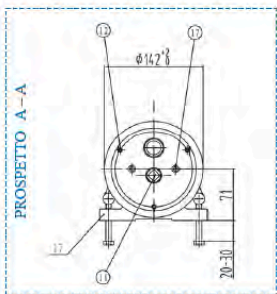
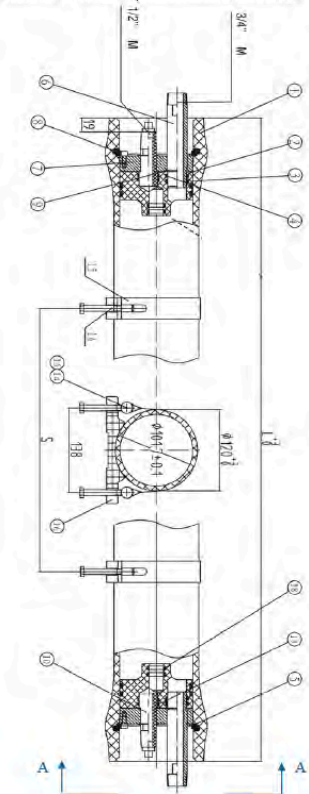
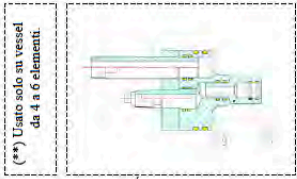


Ref	Description	Fam.	Subfam.	Disp. Stock	
H4R041	MWG 4" MPV SEEGER IN AISI 304 FOR 300-450 PSI	30	180	OK	
H4R401	MWG 4" MPV END PLATE ABS- PP 1/2" BSPT + FCP 1/2" BSPT END PORT 300-450PSI	30	180	OK	
H4R403	MWG 4" MPV END PLATE ABS- PP 1/2" BSPT + FCP 3/4" BSPT END PORT 300-450PSI	30	180	OK	
H4R107	MWG 4" MPV HEAD SEAL IN EPDM FOR 300÷1200 PSI	30	180	OK	
H2R101	MWG 2,5" & 4" MPV ADAPTER SEAL IN EPDM FOR 300÷1200 PSI	30	180	OK	
H4R003	MWG 4" MPV STRAP FOR 300-450 PSI L=265 MM	30	180	OK	
H4R001	MWG 4" MPV SADDLE FOR 300-1200 PSI	30	180	OK	
H4R081	MWG 4" MPV PLUG IN ABS FOR 300-450 PSI	30	180	OK	
H4R101	MWG 4" MPV O-RING IN EPDM OF PLUG 300-450 PSI	30	180	OK	
H4R209	MWG 4" MPV SEEGER SCREW M6x14 IN AISI 304	30	180	OK	
H4R601	MWG 4" MPV ADAPTER IN ABS FOR END/SIDE P 300-450 PSI + 600-1000-1200 END P	30	180	OK	
H2R101	MWG 2,5" & 4" MPV ADAPTER SEAL IN EPDM FOR 300÷1200 PSI	30	180	OK	

Item	Ref	Q.ty for each MPV	Material	Note
2	H4R041	4	AISI 304	
3 + 5	H4R401	2	ABS	1/2" 1/2"
3 + 5	H4R403	2	ABS	3/4" 1/2"
4	H4R107	2	EPDM	90 x 5,3
5	H2R101	2	EPDM	19 x 2,65
6 + 7	H4R003	2-3	AISI 304 - Rubber	
8	H4R001	2-3	Rubber	
9	H4R081	1	ABS	
10	H4R101	1	EPDM	23,6 x 3,55
11	H4R209	4	AISI 304	M6 x 14
12 + 13	H4R601	2	ABS	
13	H2R101	4	EPDM	19 x 2,65



4" Membrane Vessels End Port Series 1000 E-4



- Fiberglass reinforced plastic pressure vessels series 1000 E-4, complete with 0,75" adapters, white painted, UVA-ray proof material;
- Max operating pressure 1000 psi (69 bar);
- European 2014/68/EU Directive compliant for pressure equipment (PED);
- Built in accordance with ASME code section X;
- Each vessel is factory tested at 1,5 times max operating pressure;
- Feed/concentrate connections 3/4" BSPT M, in super duplex steel AISI 2507;
- Permeate connections 1/2" BSPT M;
- Operating pH Range: 3 ÷ 11 Cleaning pH Range: 2 ÷ 12 (less than 30 minutes);
- Straps and saddles included (n.2 pcs).

Ref	Description	Fam.	Subfam.	Disp. Stock
H4E4G1	MWG RO VESSEL FRP 4" END-PORT 1000 PSI 4040 3/4" BSPT M - 1/2" BSPT M	30	180	OK
H4E4G2	MWG RO VESSEL FRP 4" END-PORT 1000 PSI 2EL 3/4" BSPT M - 1/2" BSPT M	30	180	OK
H4E4G3	RO VESSEL FRP 4" END-PORT 1000 PSI 3EL 3/4" BSPT M - 1/2" BSPT M	30	180	NO

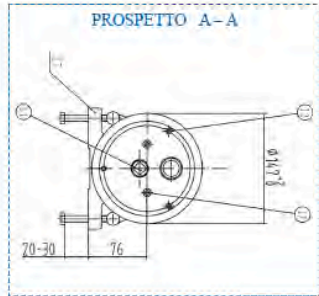
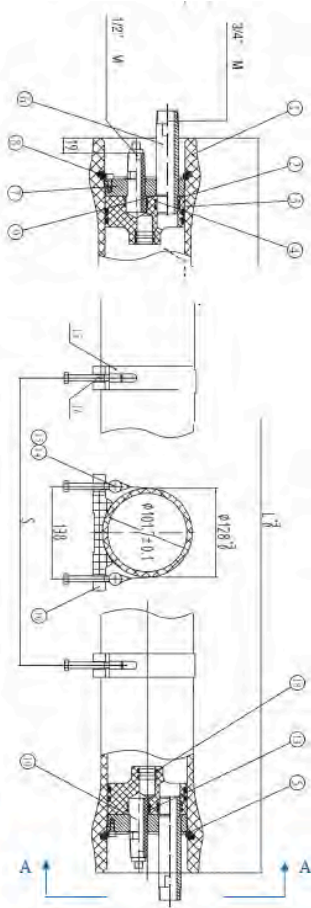
Ref	Elements	L (mm)	S (mm)
H4E4G1	1 x 40"	1244	600
H4E4G2	2 x 40"	2260	1200
H4E4G3	3 x 40"	3276	2200

Ref	Box: WxLxH.	Box: Qnt.	Box: Weight.	Pallet: WxLxH.	Pallet: Qnt.	Pallet: Weight.
H4E4G1						
H4E4G2						
H4E4G3						

Certificates	Manufacturer	Sectors
DM174-2004 CE	MWG	Industrial



4" Membrane Vessels End Port Series 1200 E-4



- Fiberglass reinforced plastic pressure vessels series 1200 E-4, complete with 0,75" adapters, white painted, UVA-ray proof material;
- Max operating pressure 1200 psi (83 bar);
- European 2014/68/EU Directive compliant for pressure equipment (PED);
- Built in accordance with ASME code section X;
- Each vessel is factory tested at 1,5 times max operating pressure;
- Feed/concentrate connections 3/4" BSPT M, in super duplex steel AISI 2507;
- Permeate connections 1/2" BSPT M;
- Operating pH Range: 3 ÷ 11 Cleaning pH Range: 2 ÷ 12 (less than 30 minutes);
- Straps and saddles included (n.2 pcs).

Ref	Description	Fam.	Subfam.	Disp. Stock	
H4E4H1	MWG RO VESSEL FRP 4" END-PORT 1200 PSI 4040 3/4" BSPT M - 1/2" BSPT M	30	180	OK	
H4E4H2	MWG RO VESSEL FRP 4" END-PORT 1200 PSI 2EL 3/4" BSPT M - 1/2" BSPT M	30	180	OK	
H4E4H3	MWG RO VESSEL FRP 4" END-PORT 1200 PSI 3EL 3/4" BSPT M - 1/2" BSPT M	30	180	OK	

Ref	Elements	L (mm)	S (mm)
H4E4H1	1 x 40"	1244	600
H4E4H2	2 x 40"	2260	1200
H4E4H3	3 x 40"	3276	2200

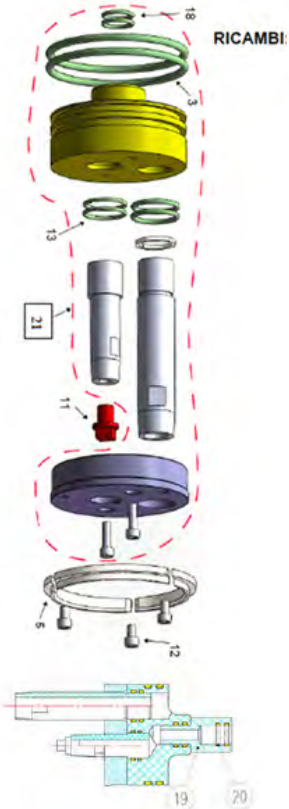
Ref	Box: WxLxH.	Box: Qnt.	Box: Weight.	Pallet: WxLxH.	Pallet: Qnt.	Pallet: Weight.
H4E4H1						
H4E4H2						
H4E4H3						

Certificates	Manufacturer	Sectors
DM174-2004 CE	MWG	Industrial



4" End Port Serie 600/1000/1200 psi Vessel spare parts

Spare parts



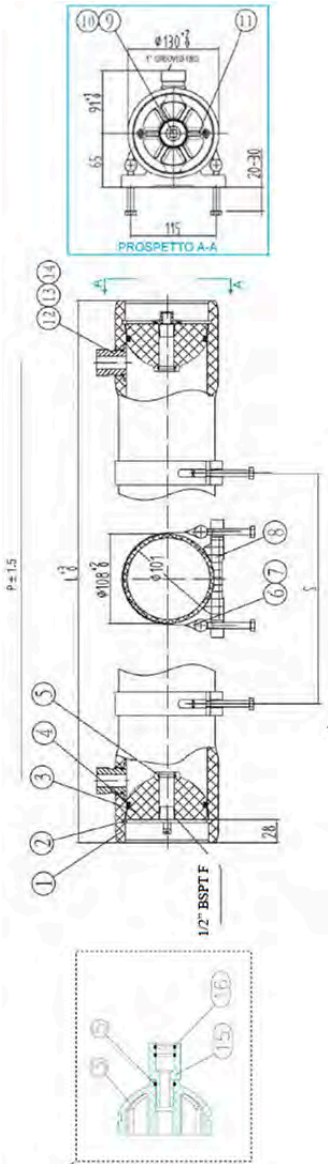
Ref	Description	Fam.	Subfam.	Disp. Stock	
H4R107	MWG 4" MPV HEAD SEAL IN EPDM FOR 300÷1200 PSI	30	180	OK	
H4R045	MWG 4" MPV LOCKING KIT SEGMENT (3PCS) IN AISI 316FOR 600-1200 PSI	30	180	OK	
H4R083	MWG 4" MPV PLUG IN ABS FOR 600-1200 PSI	30	180	OK	
H4R205	MWG 4" MPV SECURING SCREW IN ISI 304 FOR 600-1200PSI	30	180	OK	
H4R111	MWG 4" MPV PERMEATE PORT O-RING IN EPDM	30	180	OK	
H4R005	MWG 4" MPV STRAP FOR 600-1000 PSI L=280 MM	30	180	OK	
H4R001	MWG 4" MPV SADDLE FOR 300-1200 PSI	30	180	OK	
H2R101	MWG 2,5" & 4" MPV ADAPTER SEAL IN EPDM FOR 300÷1200 PSI	30	180	OK	
H4R601	MWG 4" MPV ADAPTER IN ABS FOR END/SIDE P 300-450 PSI + 600-1000-1200 END P	30	180	OK	
H2R101	MWG 2,5" & 4" MPV ADAPTER SEAL IN EPDM FOR 300÷1200 PSI	30	180	OK	
H4R707	MWG 4" MPV HEAD ASSEMBLY END PORT 600-1000-1200 PSI	30	180	OK	

Item	Ref	Q.ty for each MPV	Material	Note
3	H4R107	4	EPDM	90 x 5,3
5	H4R045	2	AISI 316	
11	H4R083	1	ABS	
12	H4R205	6	AISI 304	M6 x 20
13	H4R111	4	EPDM	25 x 2,65
14 + 15	H4R005	2-3	AISI 304 - Rubber	
16	H4R001	2-3	Rubber	
18	H2R101	4	EPDM	19 x 2,65
19 + 20	H4R601	2	ABS	
20	H2R101	4	EPDM	19 x 2,65
21	H4R707	2		



4" Membrane Vessels Side Port Series 300 S-4

- Fiberglass reinforced plastic pressure vessels series 300 S-4, D.75" direct connection, white painted, UVA-ray proof material;
- Max operating pressure 300 psi (21 bar);
- European 2014/68/EU Directive compliant for pressure equipment (PED);
- Built in accordance with ASME code section X;
- Each vessel is factory tested at 1,5 times max operating pressure;
- Feed/concentrate 1" grooved end connections, 0° or 180° oriented;
- Permeate connections 1/2" BSPT F;
- Operating pH Range: 3 ÷ 11 Cleaning pH Range: 2 ÷ 12 (less than 30 minutes);
- Straps and saddles included (n.2 pcs from 1 to 3 elements, n.3 pcs for 4 elements).



Ref.	Description	Fam.	Subfam.	Disp. Stock
H410B1	MWG RO VESSEL FRP 4" SIDE-PORT 300 PSI 4040 1C5C - 1/2" BSPT F	30	180	OK
H410B2	MWG RO VESSEL FRP 4" SIDE-PORT 300 PSI 2EL 1C5C - 1/2" BSPT F	30	180	OK
H410B3	MWG RO VESSEL FRP 4" SIDE-PORT 300 PSI 3EL 1C5C - 1/2" BSPT F	30	180	OK
H410B4	MWG RO VESSEL FRP 4" SIDE-PORT 300 PSI 4EL 1C5C - 1/2" BSPT F	30	180	OK
H412B1	MWG RO VESSEL FRP 4" SIDE-PORT 300 PSI 4040 1C7C - 1/2" BSPT F	30	180	OK
H412B2	MWG RO VESSEL FRP 4" SIDE-PORT 300 PSI 2EL 1C7C - 1/2" BSPT F	30	180	OK
H412B3	MWG RO VESSEL FRP 4" SIDE-PORT 300 PSI 3EL 1C7C - 1/2" BSPT F	30	180	OK
H412B4	MWG RO VESSEL FRP 4" SIDE-PORT 300 PSI 4EL 1C7C - 1/2" BSPT F	30	180	OK

Ref.	Elements	L (mm)	P (mm)	S (mm)	Orient.
H410B1	1 x 40"	1140	984	600	0°
H410B2	2 x 40"	2156	2000	1200	0°
H410B3	3 x 40"	3172	3016	2200	0°
H410B4	4 x 40"	4268	4112	1600 x 2	0°
H412B1	1 x 40"	1140	984	600	180°
H412B2	2 x 40"	2156	2000	1200	180°
H412B3	3 x 40"	3172	3016	2200	180°
H412B4	4 x 40"	4268	4112	1600 x 2	180°

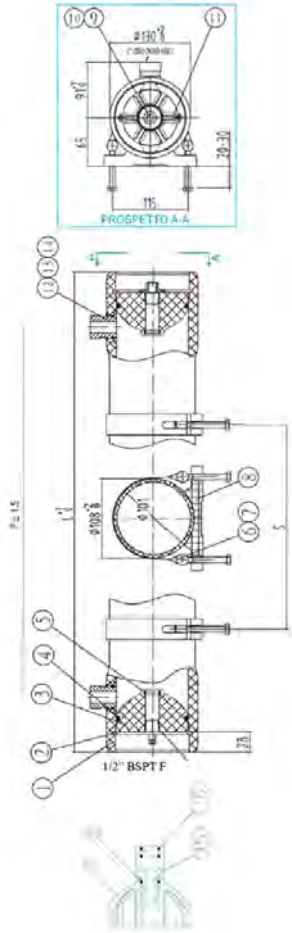
Ref.	Box: WxLxH.	Box: Qnt.	Box: Weight.	Pallet: WxLxH.	Pallet: Qnt.	Pallet: Weight.
H410B1						
H410B2						
H410B3						
H410B4						
H412B1						
H412B2						
H412B3						
H412B4						

Certificates	Manufacturer	Sectors
DM174-2004 CE	MWG	Industrial



4" Membrane Vessels Side Port Series 300 S-4

Spare parts



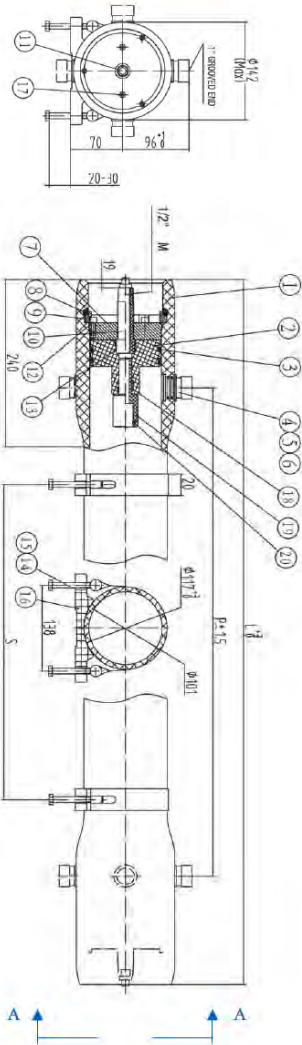
Ref.	Description	Fam.	Subfam.	Disp. Stock	
H4R041	MWG 4" MPV SEEGER IN AISI 304 FOR 300-450 PSI	30	180	OK	
H4R405	4" MPV END PLATE ABS WITH FOR MEATE PORT 1/2"BSPTFOR SIDE PORT 300 PSI	30	180	OK	
H4R107	MWG 4" MPV HEAD SEAL IN EPDM FOR 300÷1200 PSI	30	180	OK	
H2R101	MWG 2,5" & 4" MPV ADAPTER SEAL IN EPDM FOR 300÷1200 PSI	30	180	OK	
H4R003	MWG 4" MPV STRAP FOR 300-450 PSI L=265 MM	30	180	OK	
H4R001	MWG 4" MPV SADDLE FOR 300-1200 PSI	30	180	OK	
H4R081	MWG 4" MPV PLUG IN ABS FOR 300-450 PSI	30	180	OK	
H4R101	MWG 4" MPV O-RING IN EPDM OF PLUG 300-450 PSI	30	180	OK	
H4R209	MWG 4" MPV SEEGER SCREW M6x14 IN AISI 304	30	180	OK	
H4R601	MWG 4" MPV ADAPTER IN ABS FOR END/SIDE P 300-450 PSI + 600-1000-1200 END P	30	180	OK	
H2R101	MWG 2,5" & 4" MPV ADAPTER SEAL IN EPDM FOR 300÷1200 PSI	30	180	OK	

Item	Ref	Q.ty for each MPV	Material	Note
2	H4R041	4	AISI 31	
3 + 5	H4R405	2	ABS	
4	H4R107	2	EPDM	90 x 5,3
5	H2R101	2	EPDM	19 x 2,65
6 + 7	H4R003	2-3	AISI 304 - Rubber	
8	H4R001	2-3	Rubber	
9	H4R081	1	ABS	
10	H4R101	1	EPDM	23,6 x 3,55
11	H4R209	4	AISI 304	M6 x 14
15 + 16	H4R601	2	ABS	
16	H2R101	4	EPDM	19 x 2,65



4" Membrane Vessels Side Port Series 600 S-4

PROSPETTO A-A



- Fiberglass reinforced plastic pressure vessels series 600 S-4, D.75" direct connection, white painted, UVA-ray proof material;
- Max operating pressure 600 psi (41 bar);
- European 2014/68/EU Directive compliant for pressure equipment (PED);
- Built in accordance with ASME code section X;
- Each vessel is factory tested at 1,5 times max operating pressure;
- Feed/concentrate 1" grooved end connections, 0° or 180° oriented, in super duplex steel AISI 2507;
- Permeate connections 1/2" BSPT M;
- Operating pH Range: 3 ÷ 11 Cleaning pH Range: 2 ÷ 12 (less than 30 minutes);
- Straps and saddles included (n.2 pieces).

Ref.	Description	Fam.	Subfam.	Disp. Stock
H410D1	MWG RO VESSEL FRP 4" SIDE-PORT 600 PSI 4040 1C5C - 1/2" BSPT M	30	180	NO
H410D2	MWG RO VESSEL FRP 4" SIDE-PORT 600 PSI 2EL 1C5C - 1/2" BSPT M	30	180	NO
H410D3	MWG RO VESSEL FRP 4" SIDE-PORT 600 PSI 3EL 1C5C - 1/2" BSPT M	30	180	NO
H412D1	MWG RO VESSEL FRP 4" SIDE-PORT 600 PSI 4040 1C7C - 1/2" BSPT M	30	180	NO
H412D2	MWG RO VESSEL FRP 4" SIDE-PORT 600 PSI 2EL 1C7C - 1/2" BSPT M	30	180	NO
H412D3	MWG RO VESSEL FRP 4" SIDE-PORT 600 PSI 3EL 1C7C - 1/2" BSPT M	30	180	NO

Ref.	Elements	L (mm)	P (mm)	S (mm)	Orient.
H410D1	1 x 40"	1364	1036	600	0°
H410D2	2 x 40"	2380	2052	1200	0°
H410D3	3 x 40"	3396	3068	2200	0°
H412D1	1 x 40"	1364	1036	600	180°
H412D2	2 x 40"	2380	2052	1200	180°
H412D3	3 x 40"	3396	3068	2200	180°

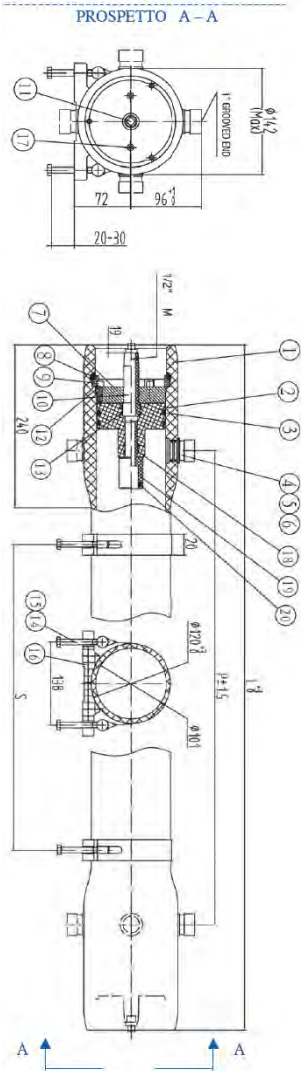
Ref.	Box: WxLxH	Box: Q.ty	Box: Weight	Pallet: WxLxH	Pallet: Q.ty	Pallet: Weight
H410D1						
H410D2						
H410D3						
H412D1						
H412D2						
H412D3						

Certificates	Manufacturer	Sectors
DM174-2004 CE	MWG	Industrial



4" Membrane Vessels Side Port Series 1000 S-4

- Fiberglass reinforced plastic pressure vessels series 1000 S-4, D.75" direct connection, white painted, UVA-ray proof material;
- Max operating pressure 1000 psi (69 bar); European 2014/68/EU Directive compliant for pressure equipment (PED);
- Built in accordance with ASME code section X;
- Each vessel is factory tested at 1,5 times max operating pressure;
- Feed/concentrate 1" grooved end connections, 0° or 180° oriented, in super duplex steel AISI 2507;
- Permeate connections 1/2" BSPT M;
- Operating pH Range: 3 ÷ 11 Cleaning pH Range: 2 ÷ 12 (less than 30 minutes);
- Straps and saddles included (n.2 pcs).



Ref.	Description	Fam.	Subfam.	Disp. Stock
H410G1	MWG RO VESSEL FRP 4" SIDE-PORT 1000 PSI 4040 1C5C - 1/2" BSPT M	30	180	OK
H410G2	MWG RO VESSEL FRP 4" SIDE-PORT 1000 PSI 2EL 1C5C - 1/2" BSPT M	30	180	OK
H410G3	MWG RO VESSEL FRP 4" SIDE-PORT 1000 PSI 3EL 1C5C - 1/2" BSPT M	30	180	OK
H412G1	MWG RO VESSEL FRP 4" SIDE-PORT 1000 PSI 4040 1C7C - 1/2" BSPT M	30	180	OK
H412G2	MWG RO VESSEL FRP 4" SIDE-PORT 1000 PSI 2EL 1C7C - 1/2" BSPT M	30	180	OK
H412G3	MWG RO VESSEL FRP 4" SIDE-PORT 1000 PSI 3EL 1C7C - 1/2" BSPT M	30	180	OK

Ref.	Elements	L (mm)	P (mm)	S (mm)	Orient.
H410G1	1 x 40"	1364	1036	600	0°
H410G2	2 x 40"	2380	2052	1200	0°
H410G3	3 x 40"	3396	3068	2200	0°
H412G1	1 x 40"	1364	1036	600	180°
H412G2	2 x 40"	2380	2052	1200	180°
H412G3	3 x 40"	3396	3068	2200	180°

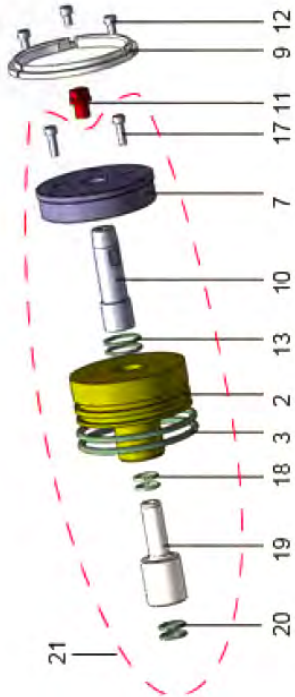
Ref.	Box: WxLxH.	Box: Qnt.	Pallet: WxLxH.	Pallet: Qnt.	Pallet: Weight.	Box: Weight.
H410G1						
H410G2						
H410G3						
H412G1						
H412G2						
H412G3						

Certificates	Manufacturer	Sectors
DM174-2004 CE	MWG	Industrial



4" Side Port 600-1000-1200 Psi Vessel spare parts

Spare parts

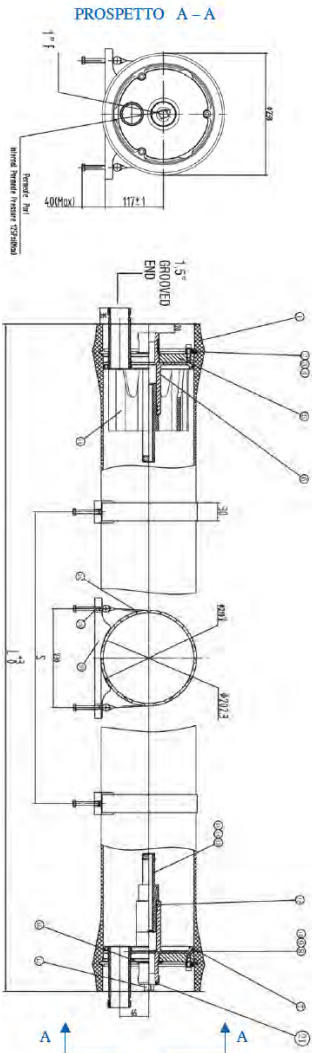


Ref	Description	Fam.	Subfam.	Disp. Stock	
H4R107	MWG 4" MPV HEAD SEAL IN EPDM FOR 300÷1200 PSI	30	180	OK	
H4R045	MWG 4" MPV LOCKING KIT SEGMENT (3PCS) IN AISI 316FOR 600-1200 PSI	30	180	OK	
H4R083	MWG 4" MPV PLUG IN ABS FOR 600-1200 PSI	30	180	OK	
H4R205	MWG 4" MPV SECURING SCREW IN ISI 304 FOR 600-1200PSI	30	180	OK	
H4R111	MWG 4" MPV PERMEATE PORT O-RING IN EPDM	30	180	OK	
H4R005	MWG 4" MPV STRAP FOR 600-1000 PSI L=280 MM	30	180	OK	
H4R001	MWG 4" MPV SADDLE FOR 300-1200 PSI	30	180	OK	
H4R113	MWG 4" MPV O-RING OF SEALING PLATE	30	180	OK	
H4R603	MWG 4" MPV ADAPTER IN ABS FOR SIDE PORT 600-1000-1200 PSI	30	180	OK	
H2R101	MWG 2,5" & 4" MPV ADAPTER SEAL IN EPDM FOR 300÷1200 PSI	30	180	OK	
H4R717	4" MPV HEAD ASSEMBLY SIDE PORT 600-1000-1200 PSI	30	180	OK	

Item	Ref	Q.ty for each MPV	Material	Note
3	H4R107	4	EPDM	90 x 5,3
9	H4R045	2	AISI 316	
11	H4R083	1	ABS	
12	H4R205	6	AISI 304	M6 x 20
13	H4R111	4	EPDM	25 x 2,65
Not shown	H4R005	2 - 3	AISI 304 - Rubber	
Not shown	H4R001	2 - 3	Rubber	
18	H4R113	4	EPDM	17 x 2,65
19 + 20	H4R603	2	ABS	
20	H2R101	4	EPDM	19 x 2,65
21	H4R717	2		



8" Membrane Vessels End Port Series 300 E-8



- Fiberglass reinforced plastic pressure vessels series 300 E-8, white painted, UVA-ray proof material;
- Max operating pressure 300 psi (21 bar);
- European 2014/68/EU Directive compliant for pressure equipment (PED);
- Built in accordance with ASME code section X;
- Each vessel is factory tested at 1,5 times max operating pressure;
- Feed/concentrate 1,5" grooved end connections in AISI 316;
- Permeate connections 1" BSPT F;
- Straps and saddles included (n.2 pcs from 1 to 3 elements, n.3 pcs from 4 to 6 elements);
- Operating pH Range: 3 ÷ 11 Cleaning pH Range: 2 ÷ 12 (less than 30 minutes);
- 1,125" membrane adapters included.

Ref.	Description	Fam.	Subfam.	Disp. Stock	
H8E5B1	MWG RO VESSEL GROOVED END FRP 8" END-PORT 300 PSI1EL 1,5"- 1" BSPT F	35	180	OK	
H8E5B2	MWG RO VESSEL GROOVED END FRP 8" END-PORT 300 PSI2EL 1,5"- 1" BSPT F	35	180	OK	
H8E5B3	MWG RO VESSEL GROOVED END FRP 8" END-PORT 300 PSI3EL 1,5"- 1" BSPT F	35	180	OK	
H8E5B4	MWG RO VESSEL GROOVED END FRP 8" END-PORT 300 PSI4EL 1,5"- 1" BSPT F	35	180	OK	
H8E5B5	MWG RO VESSEL GROOVED END FRP 8" END-PORT 300 PSI5EL 1,5"- 1" BSPT F	35	180	OK	
H8E5B6	MWG RO VESSEL GROOVED END FRP 8" END-PORT 300 PSI6EL 1,5"- 1" BSPT F	35	180	OK	

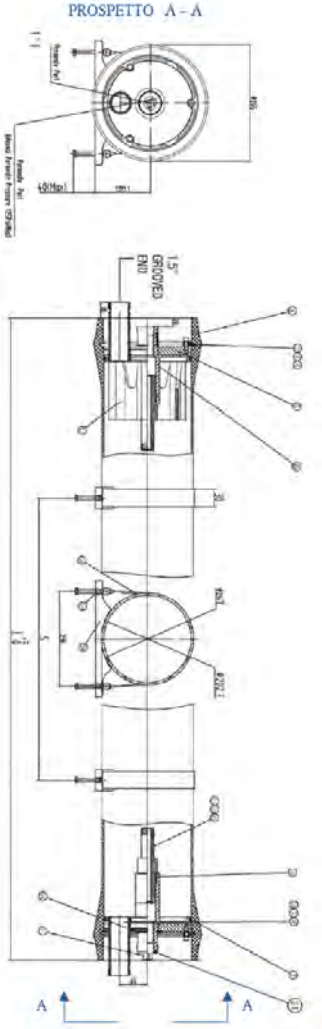
Ref.	Elements	L (mm)	S (mm)
H8E5B1	1 x 40"	1498	700
H8E5B2	2 x 40"	2514	1460
H8E5B3	3 x 40"	3530	2080
H8E5B4	4 x 40"	4546	1600 x 2
H8E5B5	5 x 40"	5562	2000 x 2
H8E5B6	6 x 40"	6578	2360 x 2

Ref.	Box: WxLxH.	Box: Qnt.	Box: Weight.	Pallet: WxLxH.	Pallet: Qnt.	Pallet: Weight.
H8E5B1						
H8E5B2						
H8E5B3						
H8E5B4						
H8E5B5						
H8E5B6						

Certificates	Manufacturer	Sectors
DM174-2004 CE	MWG	Industrial



8" Membrane Vessels End Port Series 450 E-8



- Fiberglass reinforced plastic pressure vessels series 450 E-8, white painted, UVA-ray proof material;
- Max operating pressure 450 psi (31 bar);
- European 2014/68/EU Directive compliant for pressure equipment (PED);
- Built in accordance with ASME code section X;
- Each vessel is factory tested at 1,5 times max operating pressure;
- Feed/concentrate 1,5" grooved end connections in AISI 316;
- Permeate connections 1" BSPT F;
- Operating pH Range: 3 ÷ 11 Cleaning pH Range: 2 ÷ 12 (less than 30 minutes);
- Straps and saddles included (n.2 pcs);
- 1,125" membrane adapters included.

Ref.	Description	Fam.	Subfam.	Disp. Stock	
H8E5C1	MWG RO VESSEL GROOVED END FRP 8" END-PORT 450 PSI 1EL 1,5" - 1" BSPT F	35	180	OK	
H8E5C2	MWG RO VESSEL GROOVED END FRP 8" END-PORT 450 PSI 2EL 1,5" - 1" BSPT F	35	180	OK	
H8E5C3	MWG RO VESSEL GROOVED END FRP 8" END-PORT 450 PSIT. - 1" BSPT F	35	180	OK	

Ref.	Elements	L (mm)	S (mm)
H8E5C1	1 x 40"	1498	700
H8E5C2	2 x 40"	2514	1460
H8E5C3	3 x 40"	3530	2080

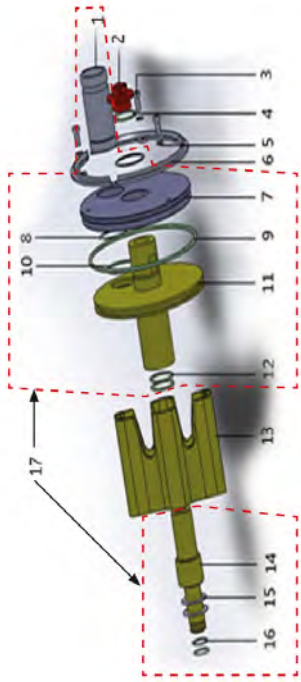
Ref.	Box: WxLxH	Box: Q.ty	Box: Weight	Pallet: WxLxH	Pallet: Q.ty	Pallet: Weight
H8E5C1						
H8E5C2						
H8E5C3						

Certificates	Manufacturer	Sectors
DM174-2004 CE	MWG	Industrial



8" End Port 300-450 Psi Vessels Spare Parts

Spare Parts

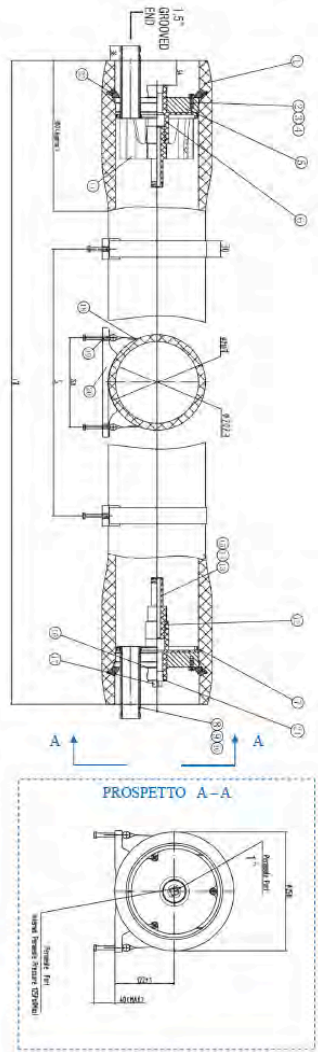


Ref	Description	Fam.	Subfam.	Disp. Stock	
H8R081	MWG 8" MPV PLUG IN ABS FOR 300-1200 PSI	35	180	OK	
H8R203	MWG 8" MPV LOCKING SEGMENT SCREW IN AISI 304	35	180	OK	
H8R111	MWG 8" MPV PWT SEAL IN EPDM FOR 300÷1200 PSI	35	180	OK	
H8R031	MWG 8" MPV SPRING PAD IN AISI 304 FOR LOCKING SEGMENT SCREW	35	180	OK	
H8R041	MWG 8" MPV LOCKING SEGMENT IN AISI 304 FOR 300-450PSI	35	180	OK	
H8R108	187x7 O-RING IN EPDM FOR ALL MWG 8" MPV8" MPV	35	180	OK	
H8R109	MWG 8" MPV FEED CONCENTRATE PORT SEAL IN EPDM FOREND PORT 300÷1200 PSI	35	180	OK	
H8R111	MWG 8" MPV PWT SEAL IN EPDM FOR 300÷1200 PSI	35	180	OK	
H8R061	MWG 8" MPV THRUST CONE IN ABS FOR END PORT 300-450PSI	35	180	OK	
H8R601	MWG 8" MPV 1,125" ADAPTER IN ABS FOR 300-450 PSI	35	180	OK	
H8R651	MWG 8" MPV 1,125" ADAPTER PAD IN ABS	35	180	OK	
H8R113	MWG 8" MPV 1,125" ADAPTER O-RING IN EPDM FOR 300÷1200 PSI	35	180	OK	
H8R701	MWG 8" MPV HEAD ASSEMBLY END PORT 300 PSI	35	180	OK	
H8R703	MWG 8" MPV HEAD ASSEMBLY END PORT 450 PSI	35	180	OK	
H8R001	MWG 8" MPV SADDLE FOR 300-1200 PSI	35	180	OK	
H8R005	MWG 8" MPV STRAP FOR 300-450 PSI L=530 MM	35	180	OK	

Item	Ref	Quantity for each MPV	Material
2	H8R081	1	ABS
3	H8R203	6	AISI 304
4	H8R111	1	EPDM
5	H8R031	6	AISI 304
6	H8R041	6	AISI 304
9	H8R108	2	EPDM
10	H8R109	2	EPDM
12	H8R111	4	EPDM
13	H8R061	1	ABS
14 + 16	H8R601	2	ABS
15	H8R651	2	ABS
16	H8R113	4	EPDM
17	H8R701	2	
17	H8R703	2	
Not shown	H8R001	2 - 3	Rubber
Not shown	H8R005	2 - 3	AISI 304 - Rubber



8" Membrane Vessels End Port Series 600 E-8



- Fiberglass reinforced plastic pressure vessels series 600 E-8, white painted, UVA-ray proof material;
- Max operating pressure 600 psi (41 bar);
- European 2014/68/EU Directive compliant for pressure equipment (PED);
- Built in accordance with ASME code section X;
- Each vessel is factory tested at 1,5 times max operating pressure;
- Feed/concentrate 1,5" grooved end connections in super duplex steel AISI 2507;
- Permeate connections 1" BSPT F;
- Operating pH Range: 3 ÷ 11 Cleaning pH Range: 2 ÷ 12 (less than 30 minutes);
- Straps and saddles included (n.2 pcs);
- 1,125" membrane adapters included.

Ref.	Description	Fam.	Subfam.	Disp. Stock	
H8E5D1	MWG RO VESSEL GROOVED END FRP 8" END-PORT 600 PSI1EL 1,5" - 1" BSPT F	35	180	OK	
H8E5D2	MWG RO VESSEL GROOVED END FRP 8" END-PORT 600 PSI2EL 1,5" - 1" BSPT F	35	180	OK	

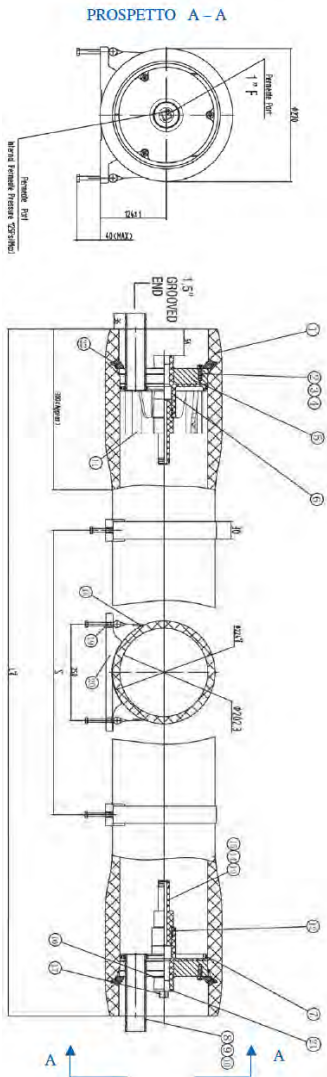
Ref.	Elements	L (mm)	S (mm)
H8E5D1	1 x 40"	1514	700
H8E5D2	2 x 40"	2530	1460

Ref.	Box: WxLxH.	Box: Qnt.	Box: Weight.	Pallet: WxLxH.	Pallet: Qnt.	Pallet: Weight.
H8E5D1						
H8E5D2						

Certificates	Manufacturer	Sectors
DM174-2004 CE	MWG	Industrial



8" Membrane Vessels End Port Series 1000 E-8



- Fiberglass reinforced plastic pressure vessels series 1000 E-8, white painted, UVA-ray proof material;
- Max operating pressure 1000 psi (69 bar);
- European 2014/68/EU Directive compliant for pressure equipment (PED);
- Built in accordance with ASME code section X;
- Each vessel is factory tested at 1,5 times max operating pressure;
- Feed/concentrate 1,5" grooved end connections in super duplex steel AISI 2507;
- Permeate connections 1" BSPT F;
- Operating pH Range: 3 ÷ 11 Cleaning pH Range: 2 ÷ 12 (less than 30 minutes);
- Straps and saddles included (n.2 pcs);
- 1,125" membrane adapters included.

Ref.	Description	Fam.	Subfam.	Disp. Stock	
H8E5G1	MWG RO VESSEL GROOVED END FRP 8" END-PORT 1000 PSI1EL 1,5" - 1" BSPT F	35	180	OK	
H8E5G2	MWG RO VESSEL GROOVED END FRP 8" END-PORT 1000 PSI2EL 1,5" - 1" BSPT F	35	180	OK	
H8E5G3	MWG RO VESSEL GROOVED END FRP 8" END-PORT 1000 PSI3EL 1,5" - 1" BSPT F	35	180	OK	

Ref.	Elements	L (mm)	S (mm)
H8E5G1	1 x 40"	1514	700
H8E5G2	2 x 40"	2530	1460
H8E5G3	3 x 40"	3546	2080

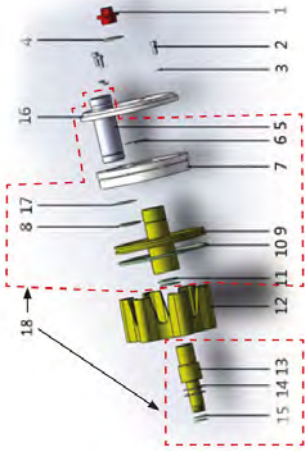
Ref.	Box: WxLxH	Box: Q.ty	Box: Weight	Pallet: WxLxH	Pallet: Q.ty	Pallet: Weight
H8E5G1						
H8E5G2						
H8E5G3						

Certificates	Manufacturer	Sectors
DM174-2004 CE	MWG	Industrial



8" End Port 600-1000-1200 Psi Vessels Spare Parts

Spare Parts



Ref	Description	Fam.	Subfam.	Disp. Stock	
H8R081	MWG 8" MPV PLUG IN ABS FOR 300-1200 PSI	35	180	OK	
H8R203	MWG 8" MPV LOCKING SEGMENT SCREW IN AISI 304	35	180	OK	
H8R031	MWG 8" MPV SPRING PAD IN AISI 304 FOR LOCKING SEGMENT SCREW	35	180	OK	
H8R111	MWG 8" MPV PWT SEAL IN EPDM FOR 300÷1200 PSI	35	180	OK	
H8R109	MWG 8" MPV FEED CONCENTRATE PORT SEAL IN EPDM FOREND PORT 300÷1200 PSI	35	180	OK	
H8R108	187x7 O-RING IN EPDM FOR ALL MWG 8" MPV8" MPV	35	180	OK	
H8R111	MWG 8" MPV PWT SEAL IN EPDM FOR 300÷1200 PSI	35	180	OK	
H8R603	MWG 8" MPV 1,125" ADAPTER IN ABS FOR 600-1200 PSI	35	180	OK	
H8R613	MWG 8" MPV 1,5" ADAPTER IN ABS FOR 600-1200 PSI	35	180	OK	
H8R651	MWG 8" MPV 1,125" ADAPTER PAD IN ABS	35	180	OK	
H8R653	MWG 8" MPV 1,5" ADAPTER PAD IN ABS FOR 300-1200 PSI	35	180	OK	
H8R113	MWG 8" MPV 1,125" ADAPTER O-RING IN EPDM FOR 300÷1200 PSI	35	180	OK	
H8R115	MWG 8" MPV 1,5" ADAPTER O-RING IN EPDM FOR 300-1200 PSI	35	180	OK	
H8R705	MWG 8" MPV HEAD ASSEMBLY END PORT 600 PSI	35	180	OK	
H8R707	MWG 8" MPV HEAD ASSEMBLY END PORT 1000 PSI	35	180	OK	
H8R001	MWG 8" MPV SADDLE FOR 300-1200 PSI	35	180	OK	
H8R009	MWG 8" MPV STRAP FOR 600-1200 PSI L=580 MM	35	180	OK	

Item	Ref.	Quantity for each MPV	Material
1	H8R081	1	ABS
2	H8R203	6	AISI 304
3	H8R031	6	AISI 304
4	H8R111	1	EPDM
8	H8R109	2	EPDM
10	H8R108	2	EPDM
11	H8R111	4	EPDM
13 + 15	H8R603	2	ABS
13 + 15	H8R613	2	ABS
14	H8R651	2	ABS
14	H8R653	2	ABS
15	H8R113	4	EPDM
15	H8R115	4	EPDM
18	H8R705	2	
18	H8R707	2	
Not shown	H8R001	2 - 3	Rubber
Not shown	H8R009	2 - 3	AISI 304 - Rubber



8" Side Port Vessels Feed/Concentrate Port Options

Each vessel 8" side port can have maximum 3 ports per each end, located in 4 different positions 90° among them. The drawing shows the numbers of different positions.

Each port can have three different dimensions:

D = 1 1/2" (standard connection)

E = 2"

F = 2 1/2"

G = 3"

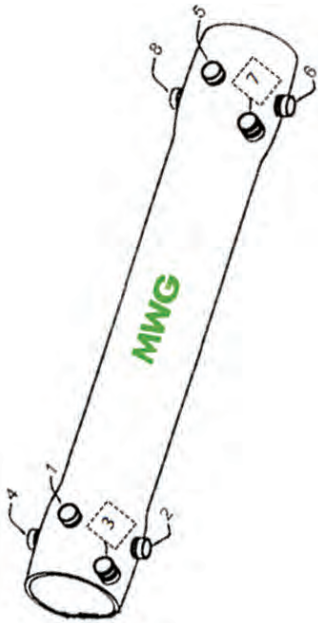
H = 4"

Note: a 2 1/2" port is not allowed at 90° from any other.

To determine the required configuration, identify the ports starting from N°1 with relevant dimension, complete this side and identify the opposite end.

Example: vessel with ports 1 & 5 connection 1 1/2", ports 2 & 6 connection 2".

The configuration is: 1D 5D 2E 6E



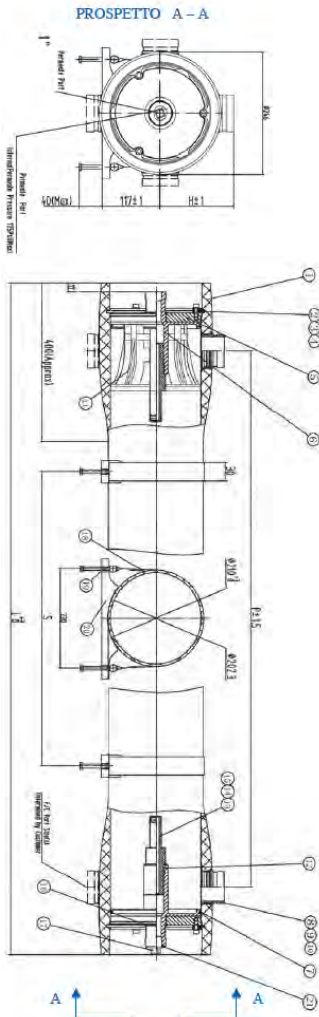
Options for MWG 8" side port vessels

Vessel 8"	Vessel 8"	Add one extra port	Add one extra port	Add one extra port	Add one extra port
		1,5"	2"	2,5"	3"
Pressure (psi)	Material				
300	AISI 316	40,27	55,94	76,07	98,45
450	AISI 316	49,22	67,12	87,26	107,40
600	Super Duplex 2507	67,12	89,50	111,87	138,72
1000	Super Duplex 2507	78,31	102,92	129,77	170,04
1200	Super Duplex 2507	87,26	111,87	138,72	178,99

Vessel 8"	Vessel 8"	UP GRADE port	from	UP GRADE port	from	UP GRADE port	from	UP GRADE port	from
		1,5"		2"		2,5"		3"	
Pressure (psi)	Material								
300	AISI 316			31,32		60,41		78,31	
450	AISI 316			35,80		64,88		89,50	
600	Super Duplex 2507			49,22		85,02		125,29	
1000	Super Duplex 2507			53,70		93,97		134,24	
1200	Super Duplex 2507			58,17		102,92		152,14	



8" Membrane Vessels Side Port Series 300 S-8



- Fiberglass reinforced plastic pressure vessels series 300 S-8, white painted, UVA-ray proof material;
- Max operating pressure 300 psi (21 bar);
- European 2014/68/EU Directive compliant for pressure equipment (PED);
- Built in accordance with ASME code section X;
- Each vessel is factory tested at 1,5 times max operating pressure;
- Feed/concentrate grooved end connections 1,5" or 2" (optional 2,5" or 3");
- Permeate connections 1" BSPT F;
- Operating pH Range: 3 ÷ 11 Cleaning pH Range: 2 ÷ 12 (less than 30 minutes);
- Straps and saddles included (n.2 pcs from 1 to 3 elements, n.3 pcs from 4 to 6 elements);
- 1,125" membrane adapters included;
- version from 2 to 7 ports (see list of options).

Ref. Connections 1,5"	Description	Fam.	Subfam.	Disp. Stock	
H815B1	RO VESSEL FRP 8" SIDE-PORT 300 PSI 1EL 1D5D - 1"BSPT F	35	180	OK	
H817B1	RO VESSEL FRP 8" SIDE-PORT 300 PSI 1EL 1D7D - 1"BSPT F	35	180	OK	
H815B2	RO VESSEL FRP 8" SIDE-PORT 300 PSI 2EL 1D5D - 1"BSPT F	35	180	OK	
H817B2	RO VESSEL FRP 8" SIDE-PORT 300 PSI 2EL 1D7D - 1"BSPT F	35	180	OK	
H815B3	RO VESSEL FRP 8" SIDE-PORT 300 PSI 3EL 1D5D - 1"BSPT F	35	180	OK	
H817B3	RO VESSEL FRP 8" SIDE-PORT 300 PSI 3EL 1D7D - 1"BSPT F	35	180	OK	

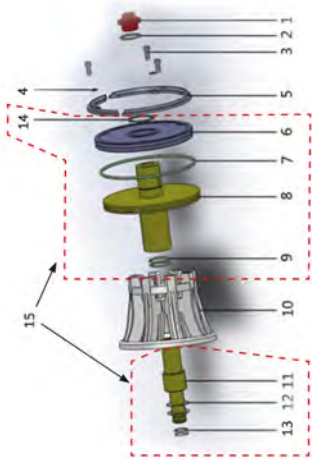
Ref. Connections 1,5"	Elements	L (mm)	P (mm)	S (mm)	Orient. 0°-180°
H815B1	1 x 40"	1494	1194	700	0°
H817B1	1 x 40"	1494	1194	700	180°
H815B2	2 x 40"	2510	2210	1460	0°
H817B2	2 x 40"	2510	2210	1460	180°
H815B3	3 x 40"	3526	3226	2080	0°
H817B3	3 x 40"	3526	3226	2080	180°

Certificates	Manufacturer	Sectors
DM174-2004 CE	MWG	Industrial



8" Side Port 300-450 Psi Vessels spare parts

Spare parts

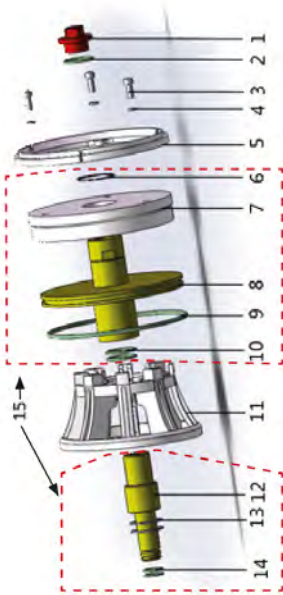


Ref	Description	Fam.	Subfam.	Disp. Stock	
H8R081	MWG 8" MPV PLUG IN ABS FOR 300-1200 PSI	35	180	OK	
H8R111	MWG 8" MPV PWT SEAL IN EPDM FOR 300+1200 PSI	35	180	OK	
H8R203	MWG 8" MPV LOCKING SEGMENT SCREW IN AISI 304	35	180	OK	
H8R031	MWG 8" MPV SPRING PAD IN AISI 304 FOR LOCKING SEGMENT SCREW	35	180	OK	
H8R041	MWG 8" MPV LOCKING SEGMENT IN AISI 304 FOR 300-450PSI	35	180	OK	
H8R108	187x7 O-RING IN EPDM FOR ALL MWG 8" MPV8" MPV	35	180	OK	
H8R111	MWG 8" MPV PWT SEAL IN EPDM FOR 300+1200 PSI	35	180	OK	
H8R071	MWG 8" MPV THRUST CONE IN ABS FOR SIDE PORT 300-450 PSI	35	180	OK	
H8R601	MWG 8" MPV 1,125" ADAPTER IN ABS FOR 300-450 PSI	35	180	OK	
H8R611	MWG 8" MPV 1,5" ADAPTER IN ABS FOR 300-450 PSI	35	180	OK	
H8R651	MWG 8" MPV 1,125" ADAPTER PAD IN ABS	35	180	OK	
H8R653	MWG 8" MPV 1,5" ADAPTER PAD IN ABS FOR 300-1200 PSI	35	180	OK	
H8R113	MWG 8" MPV 1,125" ADAPTER O-RING IN EPDM FOR 300+1200 PSI	35	180	OK	
H8R115	MWG 8" MPV 1,5" ADAPTER O-RING IN EPDM FOR 300-1200 PSI	35	180	OK	
H8R711	MWG 8" MPV HEAD ASSEMBLY SIDE PORT 300 PSI WITH 1,125" ADAPTER	35	180	OK	
H8R713	8" MPV HEAD ASSEMBLY SIDE PORT 450 PSI WITH 1,125" ADAPTER	35		OK	
H8R001	MWG 8" MPV SADDLE FOR 300-1200 PSI	35	180	OK	
H8R005	MWG 8" MPV STRAP FOR 300-450 PSI L=530 MM	35	180	OK	

Item	Ref	Quantity for each MPV	Material
1	H8R081	1	ABS
2	H8R111	1	EPDM
3	H8R203	6	AISI 304
4	H8R031	6	AISI 304
5	H8R041	6	AISI 304
7	H8R108	2	EPDM
9	H8R111	4	EPDM
10	H8R071	1	ABS
11 + 13	H8R601	2	ABS
11 + 13	H8R611	2	ABS
12	H8R651	2	ABS
12	H8R653	2	ABS
13	H8R113	4	EPDM
13	H8R115	4	EPDM
15	H8R711	2	
15	H8R713	2	
Not shown	H8R001	2 - 3	Rubber
Not shown	H8R005	2 - 3	AISI 304 - Rubber



8" Side Port 600-1000-1200 Psi Vessels Spare Parts



Ref	Description	Fam.	Subfam.	Disp. Stock	
H8R081	MWG 8" MPV PLUG IN ABS FOR 300-1200 PSI	35	180	OK	
H8R111	MWG 8" MPV PWT SEAL IN EPDM FOR 300÷1200 PSI	35	180	OK	
H8R203	MWG 8" MPV LOCKING SEGMENT SCREW IN AISI 304	35	180	OK	
H8R031	MWG 8" MPV SPRING PAD IN AISI 304 FOR LOCKING SEGMENT SCREW	35	180	OK	
H8R108	187x7 O-RING IN EPDM FOR ALL MWG 8" MPV8" MPV	35	180	OK	
H8R111	MWG 8" MPV PWT SEAL IN EPDM FOR 300÷1200 PSI	35	180	OK	
H8R603	MWG 8" MPV 1,125" ADAPTER IN ABS FOR 600-1200 PSI	35	180	OK	
H8R613	MWG 8" MPV 1,5" ADAPTER IN ABS FOR 600-1200 PSI	35	180	OK	
H8R651	MWG 8" MPV 1,125" ADAPTER PAD IN ABS	35	180	OK	
H8R653	MWG 8" MPV 1,5" ADAPTER PAD IN ABS FOR 300-1200 PSI	35	180	OK	
H8R113	MWG 8" MPV 1,125" ADAPTER O-RING IN EPDM FOR 300÷1200 PSI	35	180	OK	
H8R115	MWG 8" MPV 1,5" ADAPTER O-RING IN EPDM FOR 300-1200 PSI	35	180	OK	
H8R001	MWG 8" MPV SADDLE FOR 300-1200 PSI	35	180	OK	
H8R009	MWG 8" MPV STRAP FOR 600-1200 PSI L=580 MM	35	180	OK	

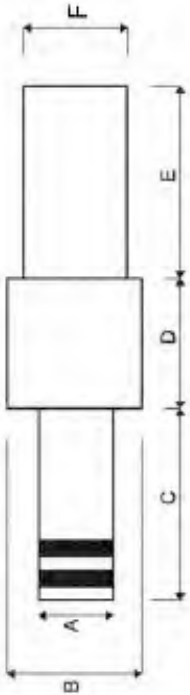
Item	Ref	Quantity for each MPV	Material
1	H8R081	1	ABS
2	H8R111	1	EPDM
3	H8R203	6	AISI 304
4	H8R031	6	AISI 304
9	H8R108	2	EPDM
10	H8R111	4	EPDM
12 + 14	H8R603	2	ABS
12 + 14	H8R613	2	ABS
13	H8R651	2	ABS
13	H8R653	2	ABS
14	H8R113	4	EPDM
14	H8R115	4	EPDM
Not shown	H8R001	2 - 3	Rubber
Not shown	H8R009	2 - 3	AISI 304 - Rubber



8" Membrane Adapters

Suitable for 8" membranes;

Material PVC complete with o-rings.



Ref	Description	Fam.	Subfam.	Disp. Stock	
H8R601	MWG 8" MPV 1,125" ADAPTER IN ABS FOR 300-450 PSI	35	180	OK	
H8R611	MWG 8" MPV 1,5" ADAPTER IN ABS FOR 300-450 PSI	35	180	OK	
H8R603	MWG 8" MPV 1,125" ADAPTER IN ABS FOR 600-1200 PSI	35	180	OK	
H8R613	MWG 8" MPV 1,5" ADAPTER IN ABS FOR 600-1200 PSI	35	180	OK	

Ref	Material	A	B	C	D	E	F	For Membrane	For Vessel
H8R601	ABS	28,3 (1,125")	46	70	38	70	36,5	BW30-400 or similar	MWG
H8R611	ABS	38 (1,5")	50	70	36	70	36,55	BW30LE440 or similar	MWG
H8R603	ABS	28,3 (1,125")	46	70	38	53	36,5	BW30-400 or similar	MWG
H8R613	ABS	38 (1,5")	50	70	36	53	36,55	BW30LE440 or similar	MWG

Ref Adatters	Ref Ring	O-Ring	Description	Fam.	Subfam.	Disp. Stock	
H8R601	H8R113		MWG 8" MPV 1,125" ADAPTER O-RING IN EPDM FOR 300÷1200 PSI	35	180		
H8R611	H8R115		MWG 8" MPV 1,5" ADAPTER O-RING IN EPDM FOR 300-1200 PSI	35	180		
H8R603	H8R113		MWG 8" MPV 1,125" ADAPTER O-RING IN EPDM FOR 300÷1200 PSI	35	180		
H8R613	H8R115		MWG 8" MPV 1,5" ADAPTER O-RING IN EPDM FOR 300-1200 PSI	35	180		

Certificates	Manufacturer	Sectors
		Industrial



Blank Adapters

Blank Adapter Kit

- Suitable for 8" membranes; - Material PVC complete with o-rings.

Ref	Description	Ref O-Ring	Fam.	Subfam.	Disp. Stock	
EA026A	KIT ADAPTER 1.125" FOR MWG VESSEL	EA264	35	190	OK	

Ref	A (mm)	A (Inch)	For Membrane	For Vessel
EA026A	28,5	1,125"	BW30-400 or similar	MWG



Blank Adapter

- Material PVC

Ref	Description	Fam.	Subfam.	Disp. Stock	
EA028	KIT BLANK ADAPTER 1.125" PVC FEMALE	35	180	OK	

Ref	A (mm)	A (Inch)	For Membrane
EA028	28,5	1,125"	BW30-400 or similar

Certificates	Manufacturer	Sectors
		Industrial



Grooved end couplings in cast iron - 1000 psi

- Complete with gaskets in EPDM; Max operating pressure 1000 psi (69 bar)



Ref.	Description	Fam.	Subfam.	Disp. Stock	
EA030	GROOVED END TYPE COUPLING CAST-IRON 1000 PSI - 1" (33.4MM)	35	180	OK	
EA032	GROOVED END COUPLING CAST-IRON 1000 PSI - 1 1/4 (42,2 MM)	35	180	OK	
EA031	GROOVED END COUPLING CAST-IRON 1000 PSI - 1 1/2 (48,3 MM)	35	180	OK	
EA033	GROOVED END COUPLING CAST-IRON 1000 PSI - 2" (60,3MM)	35	180	OK	
EA034	GROOVED END COUPLING CAST-IRON 1000 PSI - 2 1/2 (73.0 MM)	35	180	OK	
EA035	GROOVED END COUPLING CAST-IRON 1000 PSI-3" (88,9 MM)	35	180	OK	

Certificates	Manufacturer	Sectors
		Industrial

Grooved end couplings in SS 304- 1200 Psi

- Complete with gaskets in EPDM; Max operating pressure 1200 psi (83 bar).



Ref.	Description	Fam.	Subfam.	Disp. Stock	
EA190	GROOVED END COUPLING AISI 304 1200 PSI -3/4" (26,7MM)	35	180	OK	
EA191	GROOVED END COUPLING AISI 304 1200 PSI -1" (33,7 MM)	35	180	OK	
EA192	GROOVED END COUPLING AISI 304 1200 PSI -1 1/4 (42,4 MM)	35	180	OK	
EA193	GROOVED END COUPLING AISI 304 1200 PSI -1 1/2 (48,3 MM)	35	180	OK	
EA194	GROOVED END COUPLING AISI 304 1200 PSI -2" (60,3 MM)	35	180	OK	
EA195	GROOVED END COUPLING AISI 304 1200 PSI -2 1/2 (73,0 MM)	35	180	OK	
EA196	GROOVED END COUPLING AISI 304 1200 PSI -3" (88,9 MM)	35	180	OK	

Certificates	Manufacturer	Sectors
		Industrial



Grooved end couplings in SS 304- 350 psi



- Complete with gaskets in EPDM; Max operating pressure 350 psi (23 bar).

Ref.	Description	Fam.	Subfam.	Disp. Stock	
EA070	GROOVED END COUPLING AISI 304 350 PSI - 3/4" (26,7 MM)	35	180	OK	
EA071	GROOVED END COUPLING AISI 304 350 PSI - 1" (33.4MM)	35	180	OK	
EA072	GROOVED END COUPLING AISI 304 350 PSI - 1"1/4 (42,2 MM)	35	180	OK	
EA073	GROOVED END COUPLING AISI 304 350 PSI - 1"1/2 (48,3 MM)	35	180	OK	
EA074	GROOVED END COUPLING AISI 304 350 PSI - 2" (60.3MM)	35	180	OK	
EA075A	GROOVED END COUPLING AISI 304 350 PSI - 2"1/2 (73,0MM)	35	180	OK	
EA075	GROOVED END COUPLING AISI 304 350 PSI - 3" O.D. (76.1 MM)	35	180	OK	
EA076	GROOVED END COUPLING AISI 304 350 PSI - 3" (88.9MM)	35	180	OK	

Certificates	Manufacturer	Sectors
		Industrial

Grooved end couplings in Nylon - 300 psi



- Complete with gaskets in EPDM;
- Max operating pressure 300 psi (21 bar).

Ref.	Description	Fam.	Subfam.	Disp. Stock	
EA550	GROOVED END COUPLING NYLON 300 PSI-1" (33,4 MM) -DN25	35	180	OK	
EA551	GROOVED END COUPLING NYLON 300 PSI-1" 1/4 (42,2 MM) - DN32	35	180	OK	
EA552	GROOVED END COUPLING NYLON 300 PSI-1" 2" (48,3 MM)- DN40	35	180	OK	
EA553	GROOVED END COUPLING NYLON 300 PSI-1" 1/2 (60,3 MM) - DN50	35	180	OK	
EA554	GROOVED END COUPLING NYLON 300 PSI-2" 1/2 (73,0MM) - DN65	35	180	OK	
EA555	GROOVED END COUPLING NYLON 300 PSI-3" (88,9 MM) -DN80	35	180	OK	

Ref.	For our stub pipes	Nominal diameter (pollici)	Nominal diameter (mm)
EA550		1"	33,4
EA551	EA601	1¼"	42,2
EA552	EA602	1½"	48,3
EA553	EA603	2"	60,3
EA554	EA604	2½"	73,0
EA555	EA605	3"	88,9

Certificates	Manufacturer	Sectors
		Industrial



Stub Pipes to Weld

- Stub pipe with end part to weld;
- Material AISI 316;
- P max 600 psi (42 bar).



Ref	Description	Fam.	Subfam.	Disp. Stock	
EA080	STUBE PIPE TO WELD CUT GROOVE AISI 316 - 3/4" (26.7 x 60 MM - SCH 40)	35	180	OK	
EA081	STUBE PIPE TO WELD CUT GROOVE AISI 316 - 1" (33,7x 60 MM - SCH 40)	35	180	OK	
EA082	STUBE PIPE TO WELD CUT GROOVE AISI 316 - 1 1/4 (42.4 x 60 MM - SCH 40)	35	180	OK	
EA083	STUBE PIPE TO WELD CUT GROOVE AISI 316 - 1 1/2 (48.3 x 60 MM - SCH 40)	35	180	OK	
EA084	STUBE PIPE TO WELD CUT GROOVE AISI 316 - 2" (60,3x 80 MM - SCH 40)	35	180	OK	
EA085A	STUBE PIPE TO WELD CUT GROOVE AISI 316 - 2 1/2 (73,0 x 90 MM - SCH 40)	35	180	OK	
EA086	STUBE PIPE TO WELD CUT GROOVE AISI 316 - 3" (88,9x 100 MM - SCH 40)	35	180	OK	

Ref	ANSIB36.10 Schedules	Nominal diameter (mm)	Lenght (mm)
EA080	40	26,7	60
EA081	40	33,4	60
EA082	40	42,2	60
EA083	40	48,3	60
EA084	40	60,3	80
EA085A	40	73,0	90
EA086	40	88,9	100

Certificates	Manufacturer	Sectors
		Industrial



Threaded Stub Pipes

- Stub pipe with end part BSPP threaded;
- Material AISI 316;
- P max 600 psi (42 bar).

Ref	Description	Fam.	Subfam.	Disp. Stock	
EA050	THREADED STUBE PIPE CUT GROOVE AISI 316 - 3/4" M(26,7 x 65 MM)	35	180	OK	
EA051	THREADED STUBE PIPE CUT GROOVE AISI 316 - 1" M (33,7 x 65 MM)	35	180	OK	
EA052	THREADED STUBE PIPE CUT GROOVE AISI 316 - 1"1/4 M(42,4 x 80 MM)	35	180	OK	
EA053	THREADED STUBE PIPE CUT GROOVE AISI 316 - 1"1/2 M(48,3 x 100 MM)	35	180	OK	
EA054	THREADED STUBE PIPE CUT GROOVE AISI 316 - 2" M (60,3 x 100 MM)	35	180	OK	
EA055	THREADED STUBE PIPE CUT GROOVE AISI 316 - 2"1/2 M(76,1 x 100 MM)	35	180	OK	

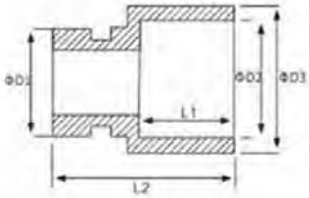
Certificates	Manufacturer	Sectors
		Industrial



Stub Pipes

Stub Pipes to Glue

- Stub pipes with end part to glue and the other end part for grooved end couplings;
- In PVC-U.
- PN = 4 bar.



Ref.	Description	Fam.	Subfam.	Disp. Stock	
EA601	PVC-U STUBE PIPE DN32 D32	35	180	OK	
EA602	PVC-U STUBE PIPE DN40 D50	35	180	OK	
EA603	PVC-U STUBE PIPE DN50 D63	35	180	OK	
EA604	PVC-U STUBE PIPE DN65 D75	35	180	OK	
EA605	PVC-U STUBE PIPE DN80 D90	35	180	OK	

Ref.	For our couplings	D1 (mm)	D2 (mm)	D3 (mm)	L1 (mm)	L2 (mm)
EA601	EA551	42	32	40	22	64
EA602	EA552	48	50	60	31	66
EA603	EA553	60	63	74	38	76
EA604	EA554	73	75	87	43	79
EA605	EA555	89	90	104	51	85

Certificates	Manufacturer	Sectors
		Industrial



R.O. PLUS Electric Control Panel for R.O. Systems



- With double conductivity meter (feed and permeate);
- In this way you can:
- Command the high pressure pump and the two solenoid valves for feed interception and flushing;
- Manage and program the most common measurement and signal instruments installed on the system, with highly flexible ways of working;
- Manage and setting the automatic cleaning system;
- Conform to CE Directives;
- Microprocessor;
- LCD display 2 x 16 digit;
- Power supply 230VAC 50-60Hz;
- Available in ABS box with protection class IP65 (ref. DG101 and ref. DG103) or Rack version (ref. DG101R and ref. DG103R);
- Supplied without conductivity probes.
- **RACK Version: Height 180 (mm), Width 220 (mm), Dept 80 (mm)**

Operated functions:

- High pressure pump (max power 736 W);
- Feed electric valve;
- Fluxing electric valve;
- Cleaning electric valve;
- Pump for antiscaling.

Conductivity meter:

- VERSION 1: RO PLUS LC (ref. DG101 ABS box IP65 and ref. DG101R Rack version).
- With conductivity meter for feed $000 \div 9,99$ mS/cm and conductivity meter for permeate $00,0 \div 99,9$ μ S/cm.
- Warning: with this model you must use one Stainless Steel probe K=1 (ref. DG121) for feed and one Stainless Steel probe for permeate (ref. DG122), to buy separately.
- VERSION 2: RO PLUS HC (ref. DG103 ABS box IP65 and ref. DG103R Rack version)
- With conductivity meter for feed $00,0 \div 9,99$ mS/cm and conductivity meter for permeate $00,0 \div 999$ μ S/cm
- Warning: with this model you must use n.2 graphite probes K=1 (ref. DG123), one for the feed and one for the permeate, to buy separately.
- The version is displayed turning on the instrument.



External input receivable:

- Low permeate storage tank level;
- High permeate storage tank level;
- Minimum pressure meter;
- Maximum pressure meter;
- Pretreatment (filter or softener) in service;
- Heat pump;
- Failed dosage alarm;
- Stand-by.

Alarms:

- High conductivity; - Low pressure; - High pressure; - Heat pump; - HIGH LOW CONTACT.

Ref	Description	Fam.	Subfam.	Disp. Stock	
DG101	MWG R.O. PLUS LC CONTROL PANEL	30	185	OK	
DG103	MWG R.O. PLUS HC CONTROL PANEL	30	185	OK	
DG101R	MWG R.O. PLUS LC RACK CONTROL PANEL	30	185	OK	
DG103R	MWG R.O. PLUS HC RACK CONTROL PANEL	30	185	OK	
DG121	MWG CONDUCTIVITY PROBE INOX K=1 CONN.3/4" W/CABLE	30	185	OK	
DG122	MWG CONDUCTIVITY PROBE INOX K=0.1 CONN.3/4" W/CABLE	30	185	OK	
DG123	MWG CONDUCTIVITY PROBE CARBON K=1 CONN.3/4" W/CABLE	30	185	OK	

Ref	Box: WxLxH.	Box: Qnt.	Box: Weight.	Pallet: WxLxH.	Pallet: Qnt.	Pallet: Weight.
DG101						
DG103						
DG101R						
DG103R						
DG121						
DG122						
DG123						

Certificates	Manufacturer	Sectors
CE	MWG	Commercial, Industrial



In-Out 3/8" Rotary Pumps for R.O.

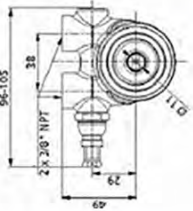
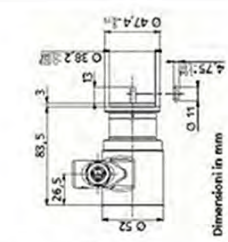


- Rotary vane pumps for R.O. systems, direct connection V-band clamp to motor;
- Housing material brass or AISI 303, security by-pass on show models;
- IN-OUT connections 3/8" F BSPT;
- T max = 50°C;
- Service life = almost 4.000 hours (with P=10 bar and good operating conditions).

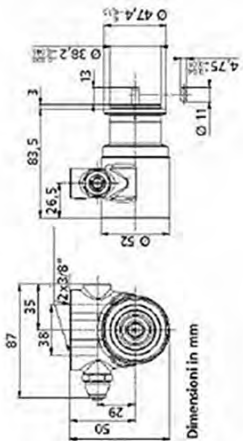
Ref	Description	Fam.	Subfam.	Disp. Stock	
DE804A	MWG ROTARY PUMP RO 50 BRASS WITH BYPASS 3/8" GAS	30	170	NO	
DE805A	MWG ROTARY PUMP RO 150 BRASS WITH BYPASS 3/8" GAS	30	170	OK	
DE806A	MWG ROTARY PUMP RO 200 BRASS WITH BYPASS 3/8" GAS	30	170	OK	
DE807A	MWG ROTARY PUMP RO 300 BRASS WITH BYPASS 3/8" GAS	30	170	OK	
DE808A	MWG ROTARY PUMP RO 400 BRASS WITH BYPASS 3/8" GAS	30	170	OK	
DE827A	MWG ROTARY PUMP RO 300 AISI W/BY PASS 3/8" GAS	30	170	OK	
DE828A	MWG ROTARY PUMP RO 400 AISI W/BY PASS 3/8" GAS	30	170	OK	
DE811A	MWG ROTARY PUMP RO 200 BRASS 3/8" GAS	30	170	OK	
DE812A	MWG ROTARY PUMP RO 300 BRASS 3/8" GAS	30	170	OK	
DE813A	MWG ROTARY PUMP RO 400 BRASS 3/8" GAS	30	170	OK	
DE832A	MWG ROTARY PUMP RO 300 AISI 3/8" GAS	30	170	OK	
DE833A	MWG ROTARY PUMP RO 400 AISI 3/8" GAS	30	170	OK	



In-Out 3/8" Rotary Pumps for R.O.



Pompe in ottone



Pompe in acciaio



Ref	Connections	Material	Flow 7 bar (l/h)	Flow 14 bar (l/h)
DE804A	BSPT	Brass	65	55
DE805A	BSPT	Brass	165	150
DE806A	BSPT	Brass	225	206
DE807A	BSPT	Brass	334	315
DE808A	BSPT	Brass	434	415
DE827A	BSPT	AISI 303	334	315
DE828A	BSPT	AISI 303	434	415
DE811A	BSPT	Brass	225	206
DE812A	BSPT	Brass	334	315
DE813A	BSPT	Brass	434	415
DE832A	BSPT	AISI 303	334	315
DE833A	BSPT	AISI 303	434	415

Certificates	Manufacturer	Sectors
DM174-2004	MWG	Domestic, Commercial



In-Out 1/2" Rotary Pumps for R.O.

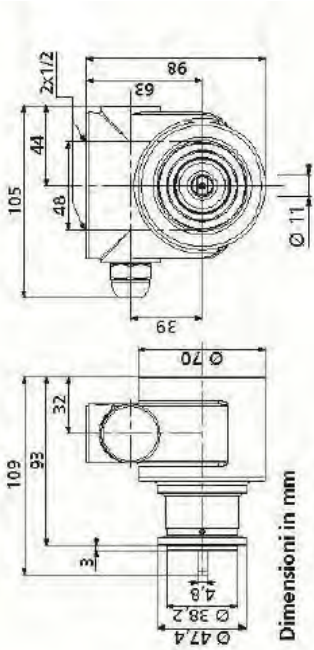
- Rotary vane pumps for R.O. systems, direct connection V-band clamp to motor;
- Housing material brass or AISI 303;
- IN-OUT Gas connections 1/2" F BSPT;
- T max = 50°C;
- Service life = almost 4.000 hours (with P=10 bar and good operating conditions).



Ref	Description	Fam.	Subfam.	Disp. Stock	
DE809A	MWG ROTARY PUMP RO 600 BRASS WITH BYPASS 1/2" GAS	30	170	OK	
DE810A	MWG ROTARY PUMP RO 800 BRASS WITH BYPASS 1/2" GAS	30	170	OK	
DE814A	MWG ROTARY PUMP RO 1000 BRASS WITH BYPASS 1/2" GAS	30	170	OK	
DE817A	MWG ROTARY PUMP RO 600 BRASS 1/2" GAS	30	170	OK	
DE818A	MWG ROTARY PUMP RO 800 BRASS 1/2" GAS	30	170	OK	
DE819A	MWG ROTARY PUMP RO 1000 BRASS 1/2" GAS	30	170	OK	
DE801A	MWG ROTARY PUMP RO 600 MAXI AISI W/BY PASS 1/2" GAS	30	170	OK	
DE802A	MWG ROTARY PUMP RO 800 MAXI AISI W/BY PASS 1/2" GAS	30	170	OK	
DE803A	MWG ROTARY PUMP RO 1000 MAXI AISI W/BY PASS 1/2" GAS	30	170	OK	
DE837A	MWG ROTARY PUMP RO 600 MAXI AISI 1/2" GAS	30	170	OK	
DE838A	MWG ROTARY PUMP RO 800 MAXI AISI 1/2" GAS	30	170	OK	
DE839A	MWG ROTARY PUMP RO 1000 MAXI AISI 1/2" GAS	30	170	OK	



In-Out 1/2" Rotary Pumps for R.O.



Ref	Connections	Material	Flow 7 bar (l/h)	Flow 14 bar (l/h)
DE809A	BSPT	Brass	620	797
DE810A	BSPT	Brass	820	797
DE814A	BSPT	Brass	1020	997
DE817A	BSPT	Brass	620	597
DE818A	BSPT	Brass	820	797
DE819A	BSPT	Brass	1020	997
DE801A	BSPT	AISI 303	620	597
DE802A	BSPT	AISI 303	820	797
DE803A	BSPT	AISI 303	1020	997
DE837A	BSPT	AISI 303	620	597
DE838A	BSPT	AISI 303	820	797
DE839A	BSPT	AISI 303	1020	997

Certificates	Manufacturer	Sectors
DM174-2004	MWG	Domestic, Commercial, Industrial



Motors Direct Connection for Rotary Pumps

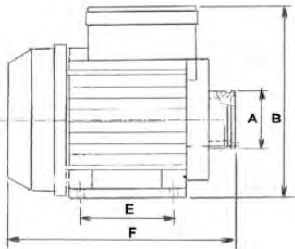
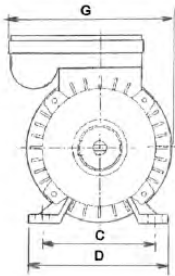


- Single phase motors direct connection for rotary vane pumps;
- Complete with thermic protection (our ref. DE845 has an automatic reset thermal protection when the temperature decreases);
- Power supply 220V - 50 Hz.

Ref	Description	Fam.	Subfam.	Disp. Stock	
DE850	MOTOR 300W-230V-50Hz SINGLE PHASE DIRECT CONNECTIONS	30	170	OK	
DE845	MOTOR 550W-230V-50Hz 4 POLES SINGLE PHASE DIRECTCONNECTIONS	30	170	OK	

Ref	A (mm)	B (mm)	C (mm)	D (mm)	E (mm)	F (mm)	G (mm)
DE850	47	156	97	120	80	200	138
DE845	44	205	*	172	*	241	*

* Not applicable: for further details, please consult our Technical Department.



Ref	Electrical Input (a)	RPM	IP Protection	For Pumps
DE850	1,6	1.300	IP 44	RO 200 RO 300
DE845	4,2	1.360	IP 55	RO 400 RO 600

Certificates	Manufacturer	Sectors
CE		Domestic, Commercial, Industrial



Motors for Rotary Pumps for R.O. 300-400-600-800-1000

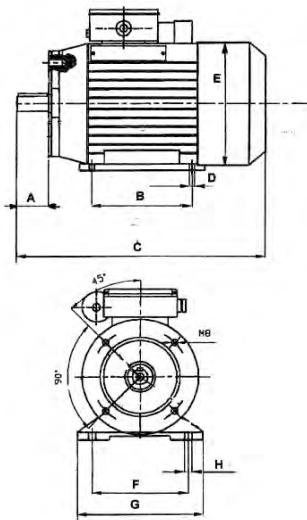
- Range of single and three phase motor for application with rotary vane pumps, using coupling and adapter;
- 4 poles motor, power supply 220V - 50 Hz single phase, 380V - 50 Hz three phase;
- Protection class IP55;



Ref.	Description	Fam.	Subfam.	Disp. Stock	
DE860	MOTOR 1/2 CV-M71-4POLI 220V/50HZ SINGLE PHASE B3/B14	30	170	OK	
DE861	MOTOR 3/4 CV-M80-4POLI 220V/50HZ SINGLE PHASE B3/B14	30	170	OK	
DE862	MOTOR 1 CV-M80-4POLI 220V/50HZ SINGLE PHASE B3/B1	30	170	OK	
DE863	MOTOR 1/2 CV-M71 4 POLI 220/380V-50HZ TRIPHASE B3/B14	30	170	OK	
DE864	MOTOR 3/4 CV-M80 4 POLI 220/380V-50HZ TRIPHASE B3/B14	30	170	OK	
DE865	MOTOR 1 CV-M80 4 POLI 220/380V-50HZ TRIPHASE B3/B14	30	170	OK	

Model	A (mm)	B (mm)	C (mm)	D (mm)	E (mm)	F (mm)	G (mm)	H (mm)
0,5 CV	30	90	222	7	141	112	142	10
0,75 CV	40	100	266	10	150	125	160	13
1 CV	40	100	306	10	150	125	160	13

Ref.	Power (cv)	Power (w)	Electrical Input (a)	RPM	For pump
DE860	0,5	370	3,1	1360	RO 300 RO 400
DE861	0,75	550	3,9	1360	RO 600
DE862	1	750	5,6	1370	RO800 RO1000
DE863	0,5	370	2,2	1360	RO 300 RO 400
DE864	0,75	550	2,8	1360	RO 600
DE865	1	750	3,5	1360	RO800 RO1000



Power Ref	Coupling Ref	Adapter Ref
DE860	DE872	DE871
DE861	DE874	DE873
DE862	DE874	DE873
DE863	DE872	DE871
DE864	DE874	DE873
DE865	DE874	DE873

Certificates	Manufacturer	Sectors
CE		Domestic, Commercial, Industrial



Adapter Couplings and Adapters for Rotary Pumps Models R.O. 300-400-600-800-1000



Ref	Description	Fam.	Subfam.	Disp. Stock	
DE871	ADAPTER GR.71 -B3/B14	30	170	OK	

Ref	Description	Fam.	Subfam.	Disp. Stock	
DE873	ADAPTER GR.80-B3/B14	30	170	OK	



Ref	Description	Fam.	Subfam.	Disp. Stock	
DE872	COUPLING GR.71	30	170	OK	

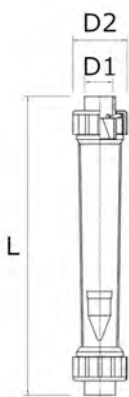


Ref	Description	Fam.	Subfam.	Disp. Stock	
DE874	COUPLING GR.80	30	170	OK	



MWG Flowmeters in AS

- Flowmeters with wide range of measuring scale and of end connections (d20 ÷ d63), easy to use, good level of accuracy and very limited maintenance;
- Standard fluid = water; - Measuring tube in transparent Acrylonitrile Styrene; float, fittings and nut in ABS; seal in EPDM;
- Maximum working pressure with water up to 25°C = 10 bar; - 60°C = 1,5 bar - Temperature range = 5 ÷ 60°C.



D1	L	D2
20	280	45
32	380	68
63	430	98

Ref.	Description	Connect.	Fam.	Subfam.	Disp. Stock
DG701	MWG CLEAR FLOWMETER TO GLUE IN AS D=20 MM EPDM 25-250 L/H FLOAT IN ABS	d20	30	186	OK
DG703	MWG CLEAR FLOWMETER TO GLUE IN AS D=20 MM EPDM 60-600 L/H FLOAT IN ABS	d20	30	186	OK
DG705	MWG CLEAR FLOWMETER TO GLUE IN AS D=32 MM EPDM 100-1000 L/H FLOAT IN ABS	d32	30	186	OK
DG707	MWG CLEAR FLOWMETER TO GLUE IN AS D=32 MM EPDM 160-1600 L/H FLOAT IN ABS	d32	30	186	OK
DG709	MWG CLEAR FLOWMETER TO GLUE IN AS D=32 MM EPDM 250-2500 L/H FLOAT IN ABS	d32	30	186	OK
DG711	MWG CLEAR FLOWMETER TO GLUE IN AS D=63 MM EPDM 400-4000 L/H FLOAT IN ABS	d63	30	186	OK
DG713	MWG CLEAR FLOWMETER TO GLUE IN AS D=63 MM EPDM 600-6000 L/H FLOAT IN ABS	d63	30	186	OK
DG715	MWG CLEAR FLOWMETER TO GLUE IN AS D=63 MM EPDM 1000-10000 L/H FLOAT IN ABS	d63	30	186	OK

Certificates	Manufacturer	Sectors
	MWG	Commercial, Industrial

ACCESSORIES: Threaded connections not included, to order separately.

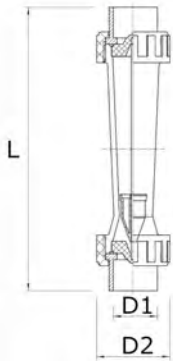
Ref.	Description	Fam.	Subfam.	Disp. Stock
DG720	MWG THREADED CONNECTION BSPP 1/2" FEMALE IN ABS	30	186	OK
DG722	MWG THREADED CONNECTION BSPP 3/4" FEMALE IN ABS	30	186	OK
DG724	MWG THREADED CONNECTION BSPP 1" FEMALE IN ABS	30	186	OK
DG726	MWG THREADED CONNECTION BSPP 1.5" FEMALE IN ABS	30	186	OK

Ref.	For Flowmeter
DG720	DG701 - DG703
DG722	DG705 - DG707 - DG709
DG724	DG705 - DG707 - DG709
DG726	DG711 - DG713 - DG715



MWG Flowmeters in PC

- Flowmeters (the reading is taken in correspondence with the top edge of the float) with wide range of measuring scale and of end connections (d20 ÷ d75), good level of accuracy with simple operation and very limited maintenance;
- Standard fluid = water; - Measuring tube in transparent PC, Float in ABS, fittings and nut in PVC and seal in EPDM;
- Maximum working pressure with water up to 25°C = 10 bar; - 60°C = 1,5 bar - Temperature range = 5 ÷ 60°C.



D1	L	D2
20	210	50
32	230	59
63	375	98
75	420	120

Ref.	Description	Conne ct.	Fam.	Subfam.	Disp. Stock	
DG731	MWG CLEAR FLOWMETER TO GLUE IN PC D=20 MM EPDM 25-250 L/H FLOAT IN ABS	d20	30	186	OK	
DG733	MWG CLEAR FLOWMETER TO GLUE IN PC D=20 MM EPDM 60-600 L/H FLOAT IN ABS	d20	30	186	OK	
DG735	MWG CLEAR FLOWMETER TO GLUE IN PC D=32 MM EPDM 100-1000 L/H FLOAT IN ABS WITH SS316 ROD	d32	30	186	OK	
DG737	MWG CLEAR FLOWMETER TO GLUE IN PC D=32 MM EPDM 160-1600 L/H FLOAT IN ABS WITH SS316 ROD	d32	30	186	OK	
DG739	MWG CLEAR FLOWMETER TO GLUE IN PC D=32 MM EPDM 250-2500 L/H FLOAT IN ABS WITH SS316 ROD	d32	30	186	OK	
DG741	MWG CLEAR FLOWMETER TO GLUE IN PC D=63 MM EPDM 400-4000 L/H FLOAT IN ABS WITH SS316 ROD	d63	30	186	OK	
DG743	MWG CLEAR FLOWMETER TO GLUE IN PC D=63 MM EPDM 600-6000 L/H FLOAT IN ABS WITH SS316 ROD	d63	30	186	OK	
DG745	MWG CLEAR FLOWMETER TO GLUE IN PC D=63 MM EPDM 1000-10000 L/H FLOAT IN ABS WITH SS316 ROD	d63	30	186	OK	
DG747	MWG CLEAR FLOWMETER TO GLUE IN PC D=75 MM EPDM 5000-25000 L/H FLOAT IN ABS WITH SS316 ROD	d75	30	186	OK	

Certificates	Manufacturer	Sectors
	MWG	Commercial, Industrial

ACCESSORIES: Threaded connections not included, to order separately.

Ref.	Description	Fam.	Subfam.	Disp. Stock	
DG750	MWG THREADED CONNECTION BSPP 1/2" FEMALE IN PVC-U	30	186	OK	
DG752	MWG THREADED CONNECTION BSPP 3/4" FEMALE IN PVC-U	30	186	OK	
DG756	MWG THREADED CONNECTION BSPP 2" FEMALE IN PVC-U	30	186	OK	
DG758	MWG THREADED CONNECTION BSPP 2.5" FEMALE IN PVC-U	30	186	OK	

Ref.	For Flowmeter
DG750	DG731 - DG733
DG752	DG735 - DG737 - DG739
DG756	DG741 - DG743 - DG745
DG758	DG747



MWG Flowmeters with Mounting Panel

- Flowmeters with wide range of measuring scale and of end connections, good level of accuracy with simple operation and very limited maintenance;
- Standard fluid = water; - Measuring tube in transparent acrylic material, float in ABS, rod in SS 316 and seal in EPDM;
- Maximum working pressure with water up to 25°C = 10 bar; - 60°C = 1,5 bar - Temperature range = 5 ÷ 60°C;
- Option: Valve in SS 316 to adjust the flow rate.

Model	L	B	D
1/2"	175	32	35
1"	234	45	46

Ref.	Description	Flow Rate Valve	Fam.	Subfam.	Disp. Stock	
DG761	MWG CLEAR THREADED FLOWMETER IN PC 1/2"BSPT M 25-250 L/H FLOAT IN ABS WITH SS316 ROD	NO	30	186	OK	
DG763	MWG CLEAR THREADED FLOWMETER IN PC 1/2"BSPT M 60-660 L/H FLOAT IN ABS WITH SS316 ROD	NO	30	186	OK	
DG765	MWG CLEAR THREADED FLOWMETER IN PC 1/2"BSPT M 120-1080 L/H FLOAT IN ABS WITH SS316 ROD	NO	30	186	OK	
DG767	MWG CLEAR THREADED FLOWMETER IN PC 1"BSPT M 300-2100 L/H FLOAT IN ABS WITH SS316 ROD	NO	30	186	OK	
DG769	MWG CLEAR THREADED FLOWMETER IN PC 1"BSPT M 600-3000 L/H FLOAT IN ABS WITH SS316 ROD	NO	30	186	OK	
DG771	MWG CLEAR THREADED FLOWMETER IN PC 1"BSPT M 600-4200 L/H FLOAT IN ABS WITH SS316 ROD	NO	30	186	OK	
DG781	MWG CLEAR THREADED FLOWMETER IN PC 1/2"BSPT M 25-250 L/H FLOAT IN ABS WITH SS316 ROD WITH SS316 VALVE	YES	30	186	OK	
DG783	MWG CLEAR THREADED FLOWMETER IN PC 1/2"BSPT M 60-660 L/H FLOAT IN ABS WITH SS316 ROD WITH SS316 VALVE	YES	30	186	OK	
DG785	MWG CLEAR THREADED FLOWMETER IN PC 1/2"BSPT M 120-1080 L/H FLOAT IN ABS WITH SS316 ROD WITH SS316 VALVE	YES	30	186	OK	
DG787	MWG CLEAR THREADED FLOWMETER IN PC 1"BSPT M 300-2100 L/H FLOAT IN ABS WITH SS316 ROD WITH SS316 VALVE	YES	30	186	OK	
DG789	MWG CLEAR THREADED FLOWMETER IN PC 1"BSPT M 600-3000 L/H FLOAT IN ABS WITH SS316 ROD WITH SS316 VALVE	YES	30	186	OK	
DG791	MWG CLEAR THREADED FLOWMETER IN PC 1"BSPT M 1200-4200 L/H FLOAT IN ABS WITH SS316 ROD WITH SS316 VALVE	YES	30	186	OK	

Certificates	Manufacturer	Sectors
	MWG	Commercial, Industrial





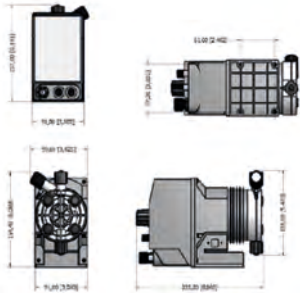
PL Series Metering Pumps Horizontal Mounting



- PL series metering pumps horizontal mounting;
- Constant or proportional feeding, with pulse multiplier or pulse divider, dosage based on a mA signal or a digital signal (from 1 pulse/minute at 180 pulses/minute);
- Microprocessor technology;
- Manual stroke length adjustment;
- Body pump's in PVDF (and o-rings in VITON), with manual venting;
- Black enclosure in PP material;
- Protection class IP65;
- Audible noise 73,4 dB(A);
- Environment temperature 10 ÷ 45°C;
- Chemical temperature 0 ÷ 50°C;
- Power supply 230Vac 50/60hz with European transformer;
- Each pump is shipped with a Kit Assembly, delayed fuse, level probe with axial foot filter (PVDF), 5 bar injection valve (PVDF), PVDF delivery hose (length 2 m), PVC suction hose (length 2 m), discharge hose (length 2 m), input signal cable (length 2,5 m);
- Available also the self-venting version (see the following table).

Ref	Description	Fam.	Subfam.	Disp. Stock	
DG299	MWG METERING PUMP HORIZ. PL 1 L/H @18 BAR PVDF ORVITON SELF VENTING	30	170	NO	
DG300	MWG METERING PUMP HORIZONTAL PL 2 L/H @ 18 BAR PVDF W/OR VITON	30	170	OK	
DG304	MWG METERING PUMP HORIZONTAL PL 8 L/H @ 8 BAR PVDFW/OR VITON	30	170	OK	

Certificates	Manufacturer	Sectors
NSF50 NSF61 DM174-2004 CE	MWG	Commercial, Industrial

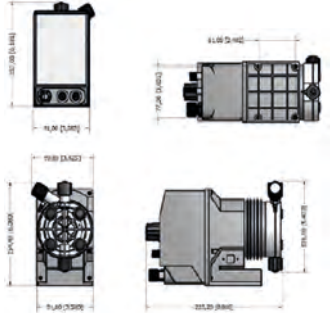




MF Series Metering Pumps Horizontal Mounting



- MF series metering digital pumps horizontal mounting;
- Microprocessor technology (Constant, Divide, Multiply, PPM, Batch, Volt, mA, %, MLQ), stand-by and flow sensor input, alarm output and level control. Recovery fault mode, work-pause mode and upkeep mode (from 1 pulse/minute at 180 pulses/minute);
- Body pump's in PVDF (and o-rings in VITON) or PP (and o-rings in EPDM), with manual venting;
- Black enclosure in PP material, protection class IP65;
- Audible noise 73,4 dB(A);
- Environment temperature 10 ÷ 45°C, chemical temperature 0 ÷ 50°C;
- Power supply 230Vac 50/60hz with European transformer;
- Each pump is shipped with a Kit Assembly, delayed fuse, level probe with axial foot filter (PVDF), 5 bar injection valve (PVDF), PVDF delivery hose (length 2 m), PVC suction hose (length 2 m), discharge hose (length 2 m), input signal cable (length 2,5 m);
- Available also the self-venting version (see the following table).



Ref.	Description	Fam.	Subfam.	Disp. Stock	
DG309	MWG METERING PUMP HORIZ. MF 1 L/H @18 BAR PVDF ORVITON SELF VENTING	30	170	NO	
DG310	MWG METERING PUMP HORIZONTAL MF 2 L/H @ 18 BAR PVDF W/OR VITON	30	170	OK	
DG310A	METERING PUMP HORIZONTAL MF 2 L/H @ 18 BAR PP W/OR EPDM	30	170	NO	
DG313	MWG METERING PUMP HORIZ. MF 5,5 L/H @8 BAR PVDF ORVITON SELF VENTING	30	170	OK	

Certificates	Manufacturer	Sectors
NSF50 NSF61 DM174-2004 CE	MWG	Commercial, Industrial



MF Series Metering Pumps Vertical Mounting



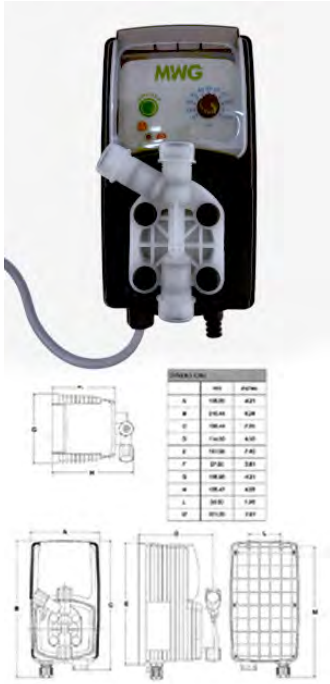
- MF series metering digital pumps vertical mounting;
- Microprocessor technology (Constant, Divide, Multiply, PPM, Batch, Volt, mA, %, ml/q), with level control. Recovery fault mode, work-pause mode and upkeep mode (from 1 pulse/hour at 180 pulses/minute);
- Body pump's in PVDF (and o-rings in VITON) or PP (and o-rings in EPDM), with manual venting;
- Black enclosure in PP material;
- Protection class IP65;
- Audible noise 70.4 dB(A);
- Environment temperature 10 ÷ 45°C;
- Chemical temperature 0 ÷ 50°C;
- Power supply 230Vac 50/60hz with European transformer;
- Each pump is shipped with a Kit Assembly, delayed fuse, level probe with axial foot filter (PVDF), 5 bar injection valve (PVDF), PVDF delivery hose (length 2 m), PVC suction hose (length 2 m), discharge hose (length 2 m), input signal cable (length 2,5 m);
- Available also the self-venting version (see the following table).

Ref	Description	Fam.	Subfam.	Disp. Stock	
DG319	MWG METERING PUMP VERTICAL. MF 1 L/H @15 BAR PVDFOR VITON SELF VENTING	30	170	OK	
DG320	MWG METERING PUMP VERTICAL MF 2 L/H @ 15 BAR PVDFW/OR VITON	30	170	OK	
DG320A	MWG METERING PUMP VERTICAL MF 2 L/H @ 15 BAR PP W/OR EPDM	30	170	NO	
DG323	MWG METERING PUMP VERTICAL. MF 4 L/H @7 BAR PVDF OR VITON SELF VENTING	30	170	OK	
DG324	MWG METERING PUMP VERTICAL MF 6 L/H @ 7 BAR IN PVDF W/OR VITON	30	170	OK	

Certificates	Manufacturer	Sectors
NSF50 NSF61 DM174-2004 CE	MWG	Commercial, Industrial



CL Series Metering Pumps Vertical Mounting



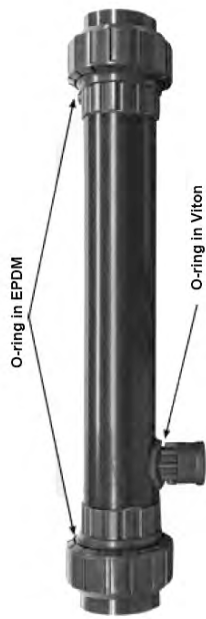
- CL series metering pumps vertical mounting;
- Microprocessor technology; constant pump with level control, flow rate control and 0-10% divider (from 1 pulse/minute at 180 pulses/minute);
- Body pump's in PVDF (and o-rings in VITON) or PP (and o-rings in EPDM), with manual venting;
- Black enclosure in PP material;
- Protection class IP65;
- Audible noise 74 dB(A);
- Environment temperature 10 ÷ 45°C;
- Chemical temperature 0 ÷ 50°C;
- Power supply 230Vac 50/60hz with European transformer;
- Each pump is shipped with a kit assembly, delayed fuse, level probe with axial foot filter (PVDF), 5 bar injection valve (PVDF), PE delivery hose (length 2 m), PVC suction hose (length 2 m), discharge hose (length 2 m);
- Available also the self-venting version (see the following table).

Ref.	Description	Fam.	Subfam.	Disp. Stock	
DG329	MWG METERING PUMP VERTIC. CL 1 L/H @15 BAR PVDF ORVITON SELF VENTING	30	170	OK	
DG330	MWG METERING PUMP VERTICAL CL 2 L/H @ 15 BAR PVDFW/OR VITON	30	170	OK	
DG330A	METERING PUMP VERTICAL CL 2 L/H @ 15 BAR PP W/OREPDM	30	170	NO	
DG334	MWG METERING PUMP VERTICAL CL 6 L/H @ 7 BAR PVDF W/OR VITON	30	170	OK	

Certificates	Manufacturer	Sectors
NSF50 NSF61 DM174-2004 CE	MWG	Commercial, Industrial



Metering Pumps Accessories



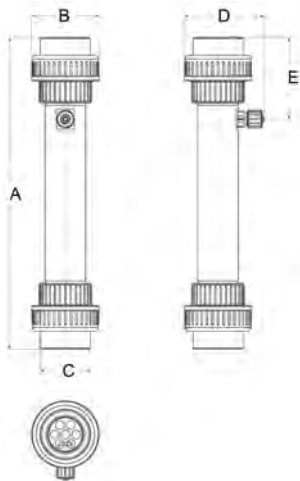
Ref	Description	Fam.	Subfam.	Disp. Stock	
DG452	MWG PVDF TUBE 6X4 ROLL L=5 M	30	170	OK	
DG453	MWG PVC TUBE 6X4 ROLL L=100 M	30	170	OK	
DG454	MWG PE TUBE 6X4 ROLL L=100 M	30	170	OK	
DG460	MWG MAINTENANCE KIT ASSY METERING PUMP HORIZONTALPVDF -ORING VITON	30	170	NO	
DG460A	MWG MAINTENANCE KIT ASSY METERING PUMP HORIZ. PVDFW/OR VITON SELF-VENTING	30	170	OK	
DG462	MWG MAINTENANCE KIT ASSY METERING PUMP VERTICAL PVDF -ORING VITON	30	170	OK	
DG462A	MWG MAINTENANCE KIT ASSY METERING PUMP VERT. PVDFW/OR VITON SELF-VENTING	30	170	OK	
DG399	MWG LEVEL PROBE WITH AXIAL FOOT FILTER	30	170	NO	

Certificates	Manufacturer	Sectors
	MWG	Commercial, Industrial

Metering Pumps Accessories

STATIC MIXERS

- PVC-U static mixer filled with PP mixing elements;
- With injection valve 1/2" - 4x6 0,3 bar;
- Inspectionable.



Ref	Description	Fam.	Subfam.	Disp. Stock	
DG470	MWG STATIC MIXER 1 1/4"	30	170	OK	
DG472	MWG STATIC MIXER 1 1/2"	30	170	OK	
DG473	MWG STATIC MIXER 2"	30	170	OK	

Ref	Fittings	A (mm)	B (mm)	C (mm)	D (mm)	E (mm)
DG470	1 1/4 "	390	72	53	134,5	95
DG472	1 1/2"	438	83	59	147	119
DG473	2"	462,5	100	74	118	121

Certificates	Manufacturer	Sectors
	MWG	Commercial, Industrial

Accessories

Ref	Description	Fam.	Subfam.	Disp. Stock	
DG450	MWG MOUNTING BRACKET FOR VERTICAL PUMP	30	170	OK	

Certificates	Manufacturer	Sectors



Metering Pumps Accessories

Turbine pulse emitter water meter



- Threaded pulse emitter water meter for cold and hot water, single (mod. 15 - 20 - 25 - 30 40) and multiple (mod. 50) jet counter with wet dial;
- Thread sizes range: from ½" to 2";
- Brass case and head (except for 50 mm 2" model with cast iron case and head);
- Range temperature = 4 ÷ 30°C;
- Max operating pressure = 16 bar;
- Constant K = 4 pulses/liter;
- 2m cable length (RG58), equipped with BNC connector;
- Reed contact with 109 closing operations;
- Max voltage 250 VAC, 200 VDC;
- Max current 1 A;
- Max power 10 VA.

Ref	Description	Gauge (Inch)	Fam.	Subfam.	Disp. Stock	
DG480	MWG TURBINE PULSE EMITTER WATER METER W/WET DIAL 15 MM	½	30	170	OK	
DG481	MWG TURBINE PULSE EMITTER WATER METER W/WET DIAL 20 MM	¾	30	170	OK	
DG482	MWG TURBINE PULSE EMITTER WATER METER W/WET DIAL 25 MM	1	30	170	OK	
DG483	MWG TURBINE PULSE EMITTER WATER METER W/WET DIAL 30 MM	1¼	30	170	OK	
DG484	MWG TURBINE PULSE EMITTER WATER METER W/WET DIAL 40 MM	1½	30	170	OK	
DG485	MWG TURBINE PULSE EMITTER WATER METER W/WET DIAL 50 MM	2	30	170	OK	

Certificates	Manufacturer	Sectors
DM174-2004	MWG	Commercial, Industrial

Accessories

- KDPV Kit, Signal Splitter.

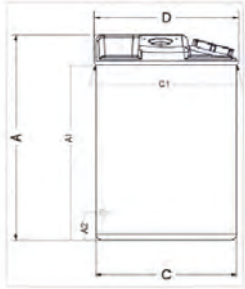


Ref.	Description	Fam.	Subfam.	Disp. Stock	
DG467	MWG KDPV KIT	30	170	OK	

Certificates	Manufacturer	Sectors
	MWG	Commercial, Industrial



Dosing Systems



- Suitable to be assembled with dosing pumps on catalogue;
- Each dosing system consisting in:
 - - nr.1 tank in polyethylene (HDPE) for chemical mixing;
 - - nr.1 suction lances with o-ring in VITON;
 - - nr.1 manual stirrer;
- All dosing station components assembled on are enclosed into tank diameter;
- Stirrers screwed on thread metal insert are tilted for better central mixing;
- Stainless Steel (AISI 316) fixing screws with rubber cap;
- With level indicator;
- Tanks can be assembled with:
 - - nr.1 metering pump (not included in the dosing system);
 - - nr.1 manual stirrer;
 - - nr.1 feed water valve;
 - - nr.1 outgassing pump hose;
 - - nr.1 outgassing valve (on the higher top side);
 - - nr.1 bleed water valve (on the lower side);
 - - nr.1 suction lance;
- Range temperature = $4 \div 40^{\circ}\text{C}$;
- On demand are available safety bunds.

Ref	Description	Fam.	Subfam.	Disp. Stock	
DG400	MWG DOSING SYSTEM ASSEMBLY 50 LITERS W/OR VITON	30	170	NO	
DG402	MWG DOSING SYSTEM ASSEMBLY 120 LITERS W/OR VITON	30	170	OK	
DG404	MWG DOSING SYSTEM ASSEMBLY 250 LITERS W/OR VITON	30	170	OK	

Ref	A (mm)	A1-Feed water valve height (mm)	C (mm)	C1 (mm)	D (mm)	Feed water (mm)
DG400	505	425	420	420	420	95
DG402	735	650	475	485	495	650
DG404	850	780	610	610	610	120

Certificates	Manufacturer	Sectors
	MWG	Commercial, Industrial



Dosing Systems Spare Parts

Suction lances for dosing system



- For pumps up to 10 l/h;
- Level switch;
- Foot valve and foot filter;
- Adjustable height;
- 1 1/2" pipe fitting;
- Lateral output (1/2" fitting);
- PVC body.

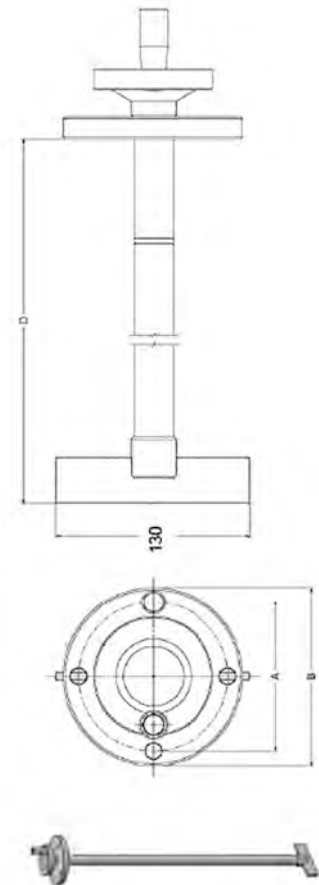
Ref	Description	Fam.	Subfam.	Disp. Stock	
DG430	MWG SUCTION LANCE L=63 CM W/OR VITON	30	170	OK	
DG434	MWG SUCTION LANCE L=108 CM W/OR VITON	30	170	OK	

Ref	Dosing system	A (mm)	B (mm)
DG430	DG400 - DG402	630	740
DG434	DG404	1080	1190

Certificates	Manufacturer	Sectors
	MWG	Commercial, Industrial

Manual stirrer for dosing system

- PVC-U shaft;
- 2-blade impeller;
- Impeller diameter = 130 mm
- Holes diameter = 8,5 mm.



Ref	Description	Fam.	Subfam.	Disp. Stock	
DG440	MWG MANUAL MIXER H=45 CM	30	170	OK	
DG442	MWG MANUAL MIXER H=65 CM	30	170	OK	
DG444	MWG MANUAL MIXER H=77 CM	30	170	OK	

Ref	Dosing system	A (mm)	ø B (mm)	D (mm)	Holes number and position
DG440	DG400 DG400A	100	120	450	4 at 90°
DG442	DG402 DG402A	125	145	650	3 at 120°
DG444	DG404 DG404A	125	145	770	3 at 120°

Certificates	Manufacturer	Sectors
	MWG	Commercial, Industrial



Dosing System Accessories

Safety bunds

- Material in polyethylene (HDPE), with reinforced collar for increasing security;
- Range temperature = 4 ÷ 40°C.



Ref	Description	Fam.	Subfam.	Disp. Stock	
DG410	MWG SAFETY BUND FOR DOSING SYSTEM 50 LITERS	30	170	NO	
DG412	MWG SAFETY BUND FOR DOSING SYSTEM 120 LITERS	30	170	NO	
DG414	MWG SAFETY BUND FOR DOSING SYSTEM 250 LITERS	30	170	NO	

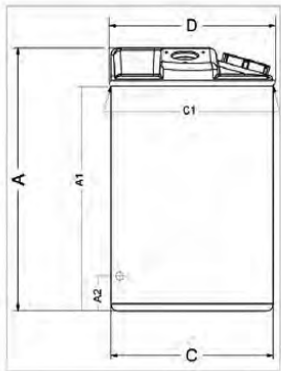
Ref	Volume (liters)	B (mm)	D (mm)	H (mm)
DG410	60	430	510	425
DG412	120	520	545	615
DG414	300	660	695	875

Certificates	Manufacturer	Sectors
	MWG	Commercial, Industrial

Dosing Systems Spare Parts

Tank for chemical

- Material in polyethylene (HDPE), suitable for chemical mixing;
- Tanks can be assembled with:
 - -nr.1 metering pump (not included in the dosing system);
 - -nr.1 manual stirrer;
 - -nr.1 feed water valve;
 - -nr.1 outgassing pump hose;
 - -nr.1 outgassing valve (on the higher top side);
 - -nr.1 bleed water valve (on the lower side);
 - -nr.1 suction lance;
- Range temperature = 4 ÷ 40°C.



Ref	Description	Fam.	Subfam.	Disp. Stock	
DG420	MWG SPARE CONTAINER 50 LITERS	30	170	OK	
DG422	MWG SPARE CONTAINER 120 LITERS	30	170	OK	
DG424	MWG SPARE CONTAINER 250 LITERS	30	170	OK	

Ref	Chemical Load Diameter (mm)	A (mm)	A1 Feed water valve height (mm)	C (mm)	C1 (mm)	D (mm)
DG420	95	505	425	420	420	420
DG422	120	735	650	475	485	495
DG424	120	850	780	610	610	610

Certificates	Manufacturer	Sectors
	MWG	Commercial, Industrial